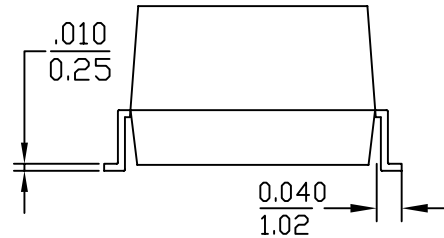
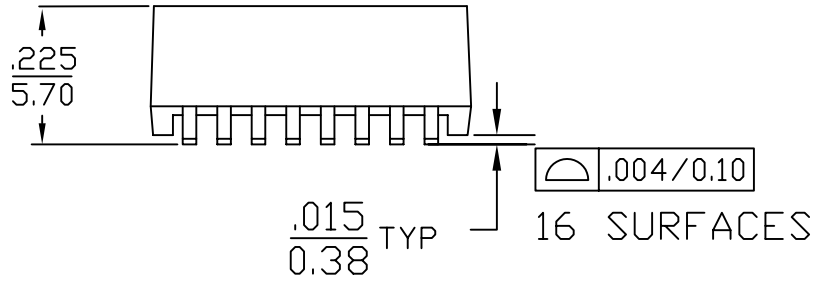
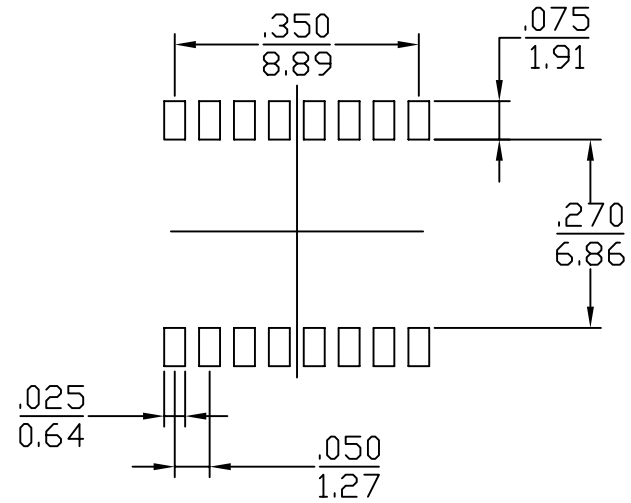
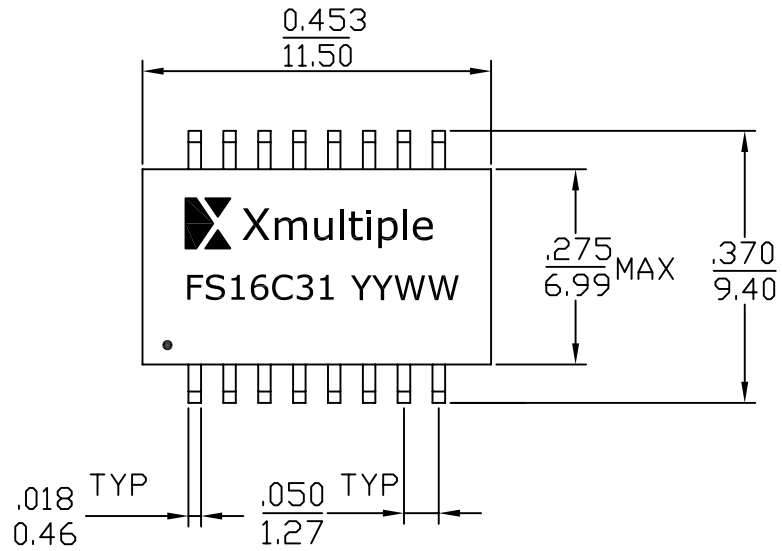


1. MECHANICAL DIMENSIONS :



SUGGESTED PAD LAYOUT

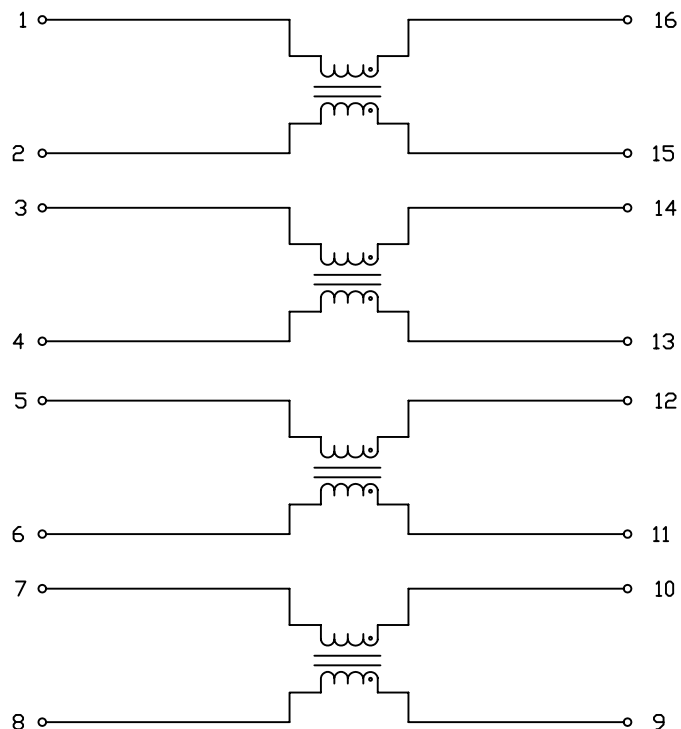
FINAL OUTLINE

RoHS Compliant

Dimensions:Inch(mm) Tolerances:±0.01(0.25)

X MULTIPLE		THE INFORMATION AGE	
XMULTIPLE ASIA 4F, No. 347, Yang Guang St., Neihu Chiu, Taipei, Taiwan 11475		XMULTIPLE USA 1420 Los Angeles Ave., Suite G, Simi Valley, CA 93065	
THIS DRAWING IS A CONTROLLED DOCUMENT.		G/NO:	
TITLE: SURFACE MOUNT COMMON MODE CHOKES, SUITED FOR LAN AND TELECOM APPLICATIONS		DWG NO: XTFZ-FS16C31	
PART NO: XTFZ-FS16C31		DRAWN: RUNES	
		CHKD: JEFF	
		DATE: Feb.05,07	
UNIT mm[inch]	SHEET 1 of 2	REV A	

2. SCHEMATIC:



3. ELECTRICAL CHARACTERISTICS :

TEST NOTES:(25±5°C)

1.TR:(100KHz,0.1V);

PINS:(1,16):(2,15)=1:1±3%;(3,14):(4,13)=1:1±3%

PINS:(5,12):(6,11)=1:1±3%;(7,10):(8,9)=1:1±3%

2.LX:(100KHz,100mV)

PINS:(1,2),(3,4),(5,6),(7,8)=36uH MIN

3.DCR:

PINS:(1,16),(3,14),(5,12),(7,10)=0.35 OHMS MAX

4.COMMON MODE ATTENUATION:

-8 dB TYP AT 0.1MHz

-24dB TYP AT 1MHz

-36dB TYP AT 10MHz

-39dB TYP AT 30MHz

-35dB TYP AT 50MHz

-29dB TYP AT 100MHz

-18dB TYP AT 300MHz

-11dB TYP AT 500MHz

RoHS Compliant

XMULTIPLE ASIA 4F, No. 347, Yang Guang St., Neihu Chiu, Taipei, Taiwan 11475		XMULTIPLE USA 1420 Los Angeles Ave., Suite G, Simi Valley, CA 93065	
THIS DRAWING IS A CONTROLLED DOCUMENT.		G/NO: DWG NO: XTFZ-FS16C31	
TITLE: SURFACE MOUNT COMMON MODE CHOKES, SUITED FOR LAN AND TELECOM APPLICATIONS		DRAWN: RUNES	
PART NO: XTFZ-FS16C31		CHKD: JEFF	
		UNIT mm[inch]	SHEET 2 of 2
		REV A	DATE: Feb.05,07