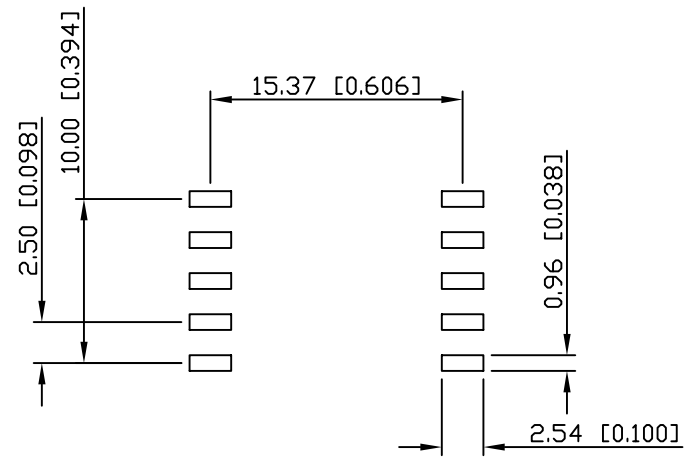
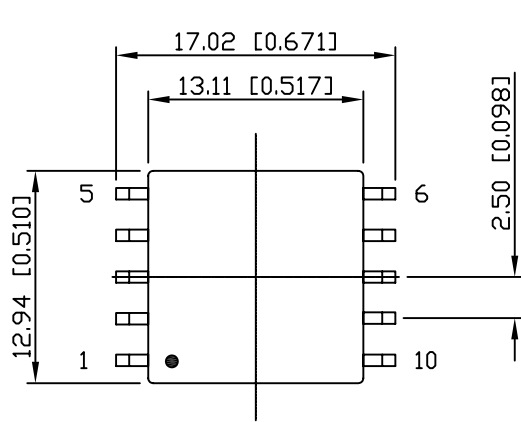
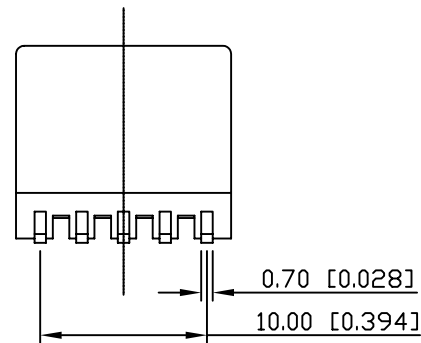
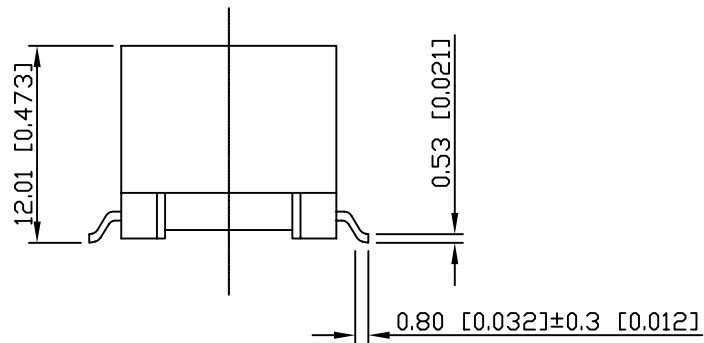


1. MECHANICAL DIMENSIONS :



SUGGESTED PAD LAYOUT

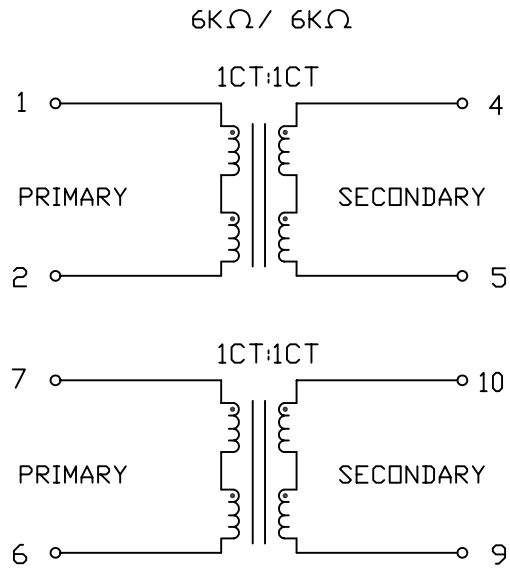


RoHS Compliant

Dimensions: mm [Inches]
 Unless otherwise specified, all tolerances are ± 0.25 [0.010]

		CONNECTING THE INFORMATION AGE		
				XMULTIPLE ASIA 4F, No. 347, Yang Guang St., Neihu, Taipei, Taiwan 11475
THIS DRAWING IS A CONTROLLED DOCUMENT.				DWG NO: XTFZ-DAS1001CG1
TITLE: AUDIO TRANSFORMER SURFACE MOUNT PACKAGE			DRAWN: TOM	
PART NO: XTFZ-DAS1001CG1			CHKD: TARA	
	UNIT mm	SHEET 1 of 2	REV 01	
			DATE: Apr.09,09	

2. SCHEMATIC :



3. ELECTRICAL CHARACTERISTICS :

TEST NOTES:($25^{\circ}\pm 5^{\circ}\text{C}$)

1. TR:(100KHz,0.1V)
PINS:(1,2):(4,5)= $1:1\pm 3\%$; (7,6):(10,9)= $1:1\pm 3\%$
2. DCR
PINS:(1,2),(7,6),=55 Ω MAXIMUM
PINS:(4,5),(10,9),=70 Ω MAXIMUM
3. RETURN LOSS:
-15dB MINIMUM AT 10MHz
-30dB MINIMUM AT 30MHz
-25dB MINIMUM AT 50MHz
-18dB MINIMUM AT 100MHz

RoHS Compliant

XMULTIPLE		CONNECTING THE INFORMATION AGE	
XMULTIPLE ASIA 4F, No. 347, Yang Guang St., Neihu, Taipei, Taiwan 11475		XMULTIPLE USA 1420 Los Angeles Ave., Suite G, Simi Valley, CA 93065	
THIS DRAWING IS A CONTROLLED DOCUMENT.		G/NO:	
TITLE: AUDIO TRANSFORMER SURFACE MOUNT PACKAGE		DWG NO: XTFZ-DAS1001CG1	
PART NO: XTFZ-DAS1001CG1		DRAWN: TOM	
		CHKD: TARA	
		DATE: Apr.09,09	
UNIT mm	SHEET 2 of 2	REV 01	