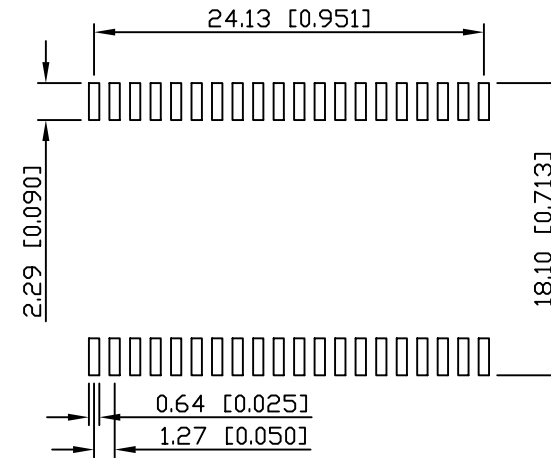
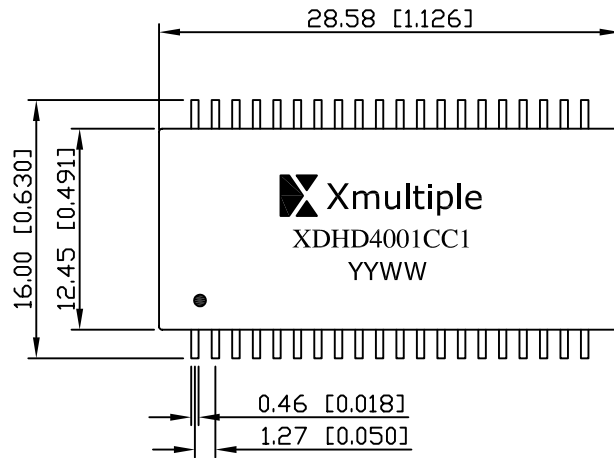
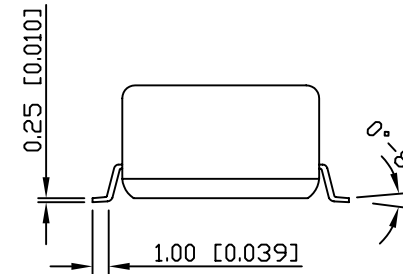
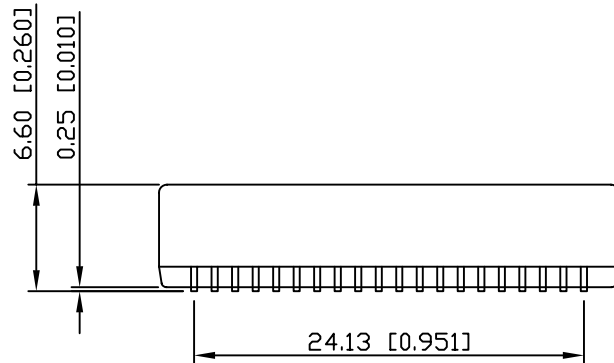


1. MECHANICAL DIMENSIONS :



SUGGESTED PAD LAYOUT

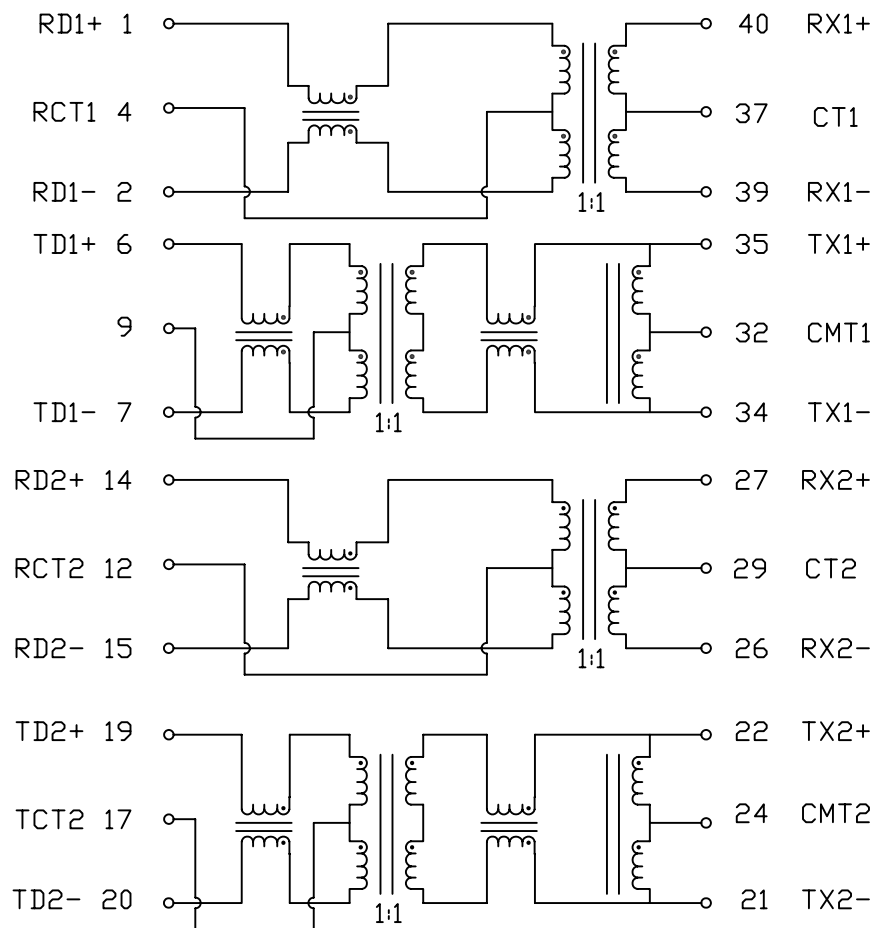


RoHS Compliant

Dimensions: Inches/mm
Unless otherwise specified, all tolerances are ± 0.25

X MULTIPLE			CONNECTING THE INFORMATION AGE	
XMULTIPLE ASIA 4F, No. 347, Yang Guang St., Neihu, Taipei, Taiwan 11475		XMULTIPLE USA 1420 Los Angeles Ave., Suite G, Simi Valley, CA 93065		G/NO:
THIS DRAWING IS A CONTROLLED DOCUMENT.				DWG NO: XTFZ-DHD4001CC1
TITLE: High Speed Lan 10/100 Base-TX Magnetics Module				DRAWN: IVAN
PART NO: XTFZ-DHD4001CC1				CHKD: TARA
			DATE: Aug,01,08	
UNIT mm[Inch]	SHEET 1 of 2	REV 01		

2. SCHEMATIC :



3. ELECTRICAL CHARACTERISTICS :

TEST NOTES:(25°±5°C)

- TR:(100KHz,0.1V)
PINS:(1,2):(40,39)=1:1±3%;(6,7):(35,34)=1:1±3%
PINS:(14,15):(27,26)=1:1±3%;(19,20):(22,21)=1:1±3%
- LX:(100KHz,100mV,8mA, DC Bias)
PINS:(1,2),(6,7),(14,15),(19,20)=350uH MINIMUM
- DCR
PINS:(40,39),(35,34),(27,26),(22,21)=0.9Ω MAXIMUM
- HIPOT:
PINS:(1,4,2)TO(40,37,39)=1500VAC FOR 60 SECONDS
PINS:(6,9,7)TO(35,32,34)=1500VAC FOR 60 SECONDS
PINS:(14,12,15)TO(27,29,26)=1500VAC FOR 60 SECONDS
PINS:(19,17,20)TO(22,24,21)=1500VAC FOR 60 SECONDS
- INSERTION LOSS:
-1.1dB MAXIMUM AT 1MHz TO 100MHz
- RETURN LOSS:
-18dB MINIMUM AT 1MHz TO 30MHz
-14.4dB MINIMUM AT 40MHz
-13.1dB MINIMUM AT 50MHz
-12dB MINIMUM AT 60MHz TO 80MHz
- CROSS TALK:
-42dB MINIMUM AT 1MHz TO 30MHz
-33dB MINIMUM AT 60MHz TO 100MHz
- COMMON TO COMMON MODE REJECTION:
-40dB MINIMUM AT 1MHz TO 30MHz
-35dB MINIMUM AT 60MHz
-30dB MINIMUM AT 80MHz TO 100MHz

RoHS Compliant

X MULTIPLE			CONNECTING THE INFORMATION AGE	
X MULTIPLE ASIA 4F, No. 347, Yang Guang St., Neihu, Taipei, Taiwan 11475		X MULTIPLE USA 1420 Los Angeles Ave., Suite G, Simi Valley, CA 93065		G/ND
THIS DRAWING IS A CONTROLLED DOCUMENT.				DWG NO: XTFZ-DHD4001CC1
TITLE: High Speed Lan 10/100 Base-TX Magnetics Module				DRAWN: IVAN
PART NO: XTFZ-DHD4001CC1				CHKD: TARA
		UNIT mm[Inch]	SHEET 2 of 2	REV 01
				DATE: Aug,01,08