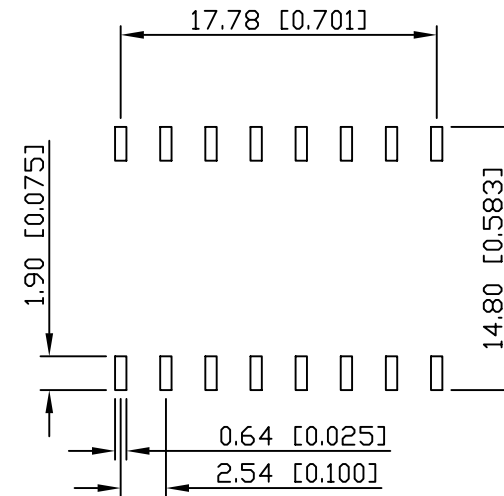
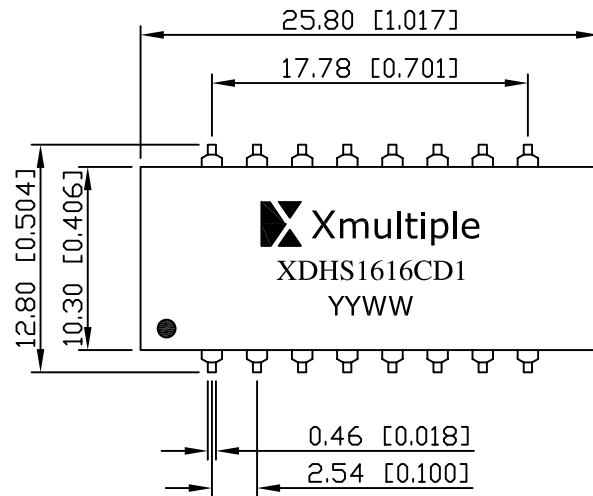
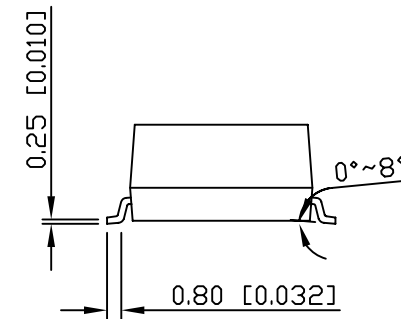
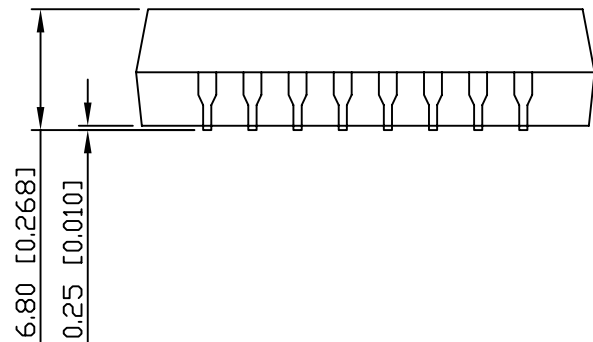


1. MECHANICAL DIMENSIONS :



SUGGESTED PAD LAYOUT

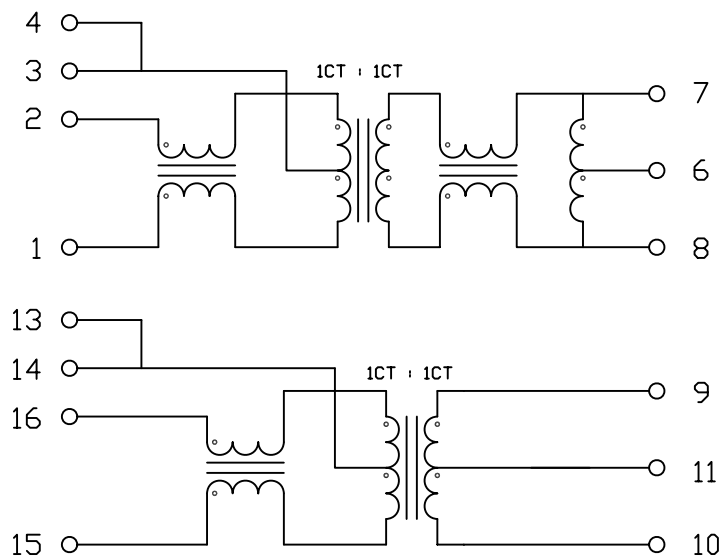


RoHS Compliant

Dimensions: Inches/mm
Unless otherwise specified, all tolerances are ± 0.25

X MULTIPLE			CONNECTING THE INFORMATION AGE	
XMULTIPLE ASIA 4F, No. 347, Yang Guang St., Neihu, Taipei, Taiwan 11475		XMULTIPLE USA 1420 Los Angeles Ave., Suite G, Simi Valley, CA 93065		G/NO:
THIS DRAWING IS A CONTROLLED DOCUMENT.				DWG NO: XTFZ-DHS1616CD1
TITLE: High Speed Lan 10/100 Base-TX Single Port Magnetics Module				DRAWN: TOM
PART NO: XTFZ-DHS1616CD1				CHKD: TARA
	UNIT mm	SHEET 1 of 2	REV 01	DATE: Jun.23,08

2. SCHEMATIC :

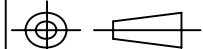


3. ELECTRICAL CHARACTERISTICS :

TEST NOTES:($25^{\circ}\pm 5^{\circ}\text{C}$)

- TR:(100KHz,0.1V)
PINS:(2,1):(7,8)= $1:1\pm 3\%$;(16,15):(9,10)= $1:1\pm 3\%$
- LX:(100KHz,100mV,8mA, DC Bias)
PINS:(2,1),(16,15)=350uH MINIMUM
- DCR
PINS:(7,8),(9,10),=0.9 Ω MAXIMUM
- HIPOT:
PINS:(2,3,1)TO PINS:(7,6,8)=1500VAC FOR 60 SECONDS
PINS:(16,14,15)TO PINS:(9,11,10)=1500VAC FOR 60 SECONDS
- INSERTION LOSS:
-1.0dB MAXIMUM AT 1MHz TO 100MHz
- RETURN LOSS:
-20dB MINIMUM AT 1MHz TO 30MHz
-18dB MINIMUM AT 40MHz
-18dB MINIMUM AT 50MHz
-12dB MINIMUM AT 60MHz TO 80MHz
- CROSS TALK:
-45dB MINIMUM AT 1MHz TO 60MHz
-35dB MINIMUM AT 60MHz TO 100MHz
- COMMON TO COMMON MODE REJECTION:
-45dB MINIMUM AT 1MHz TO 30MHz
-40dB MINIMUM AT 60MHz
-35dB MINIMUM AT 80MHz TO 100MHz

RoHS Compliant

X MULTIPLE			CONNECTING THE INFORMATION AGE	
X MULTIPLE ASIA 4F, No. 347, Yang Guang St., Neihu, Taipei, Taiwan 11475		X MULTIPLE USA 1420 Los Angeles Ave., Suite G, Simi Valley, CA 93065		G/NO:
THIS DRAWING IS A CONTROLLED DOCUMENT.				DWG NO: XTFZ-DHS1616CD1
TITLE: High Speed Lan 10/100 Base-TX Single Port Magnetics Module				DRAWN: TOM
PART NO: XTFZ-DHS1616CD1				CHKD: TARA
		UNIT mm	SHEET 2 of 2	REV 01
				DATE: Jun.23,08