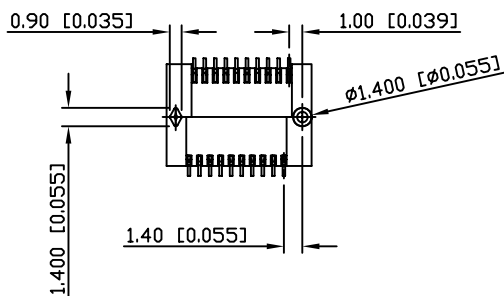
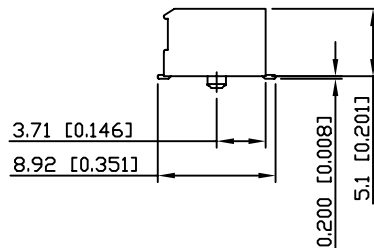
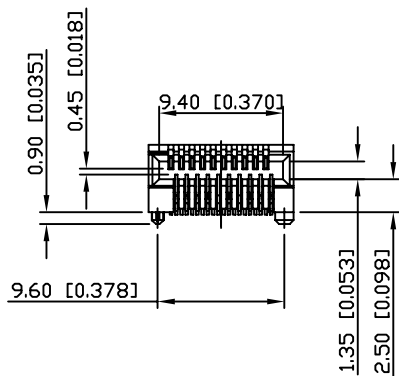
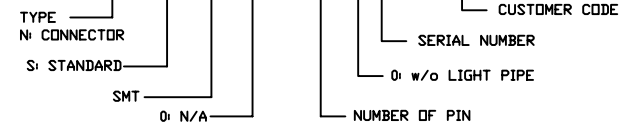


RECOMMENDED P.C.B LAYOUT  
TOP VIEW ±0.05



XSFP-N-SSM0-2002-MA



NOTE:

- MATERIAL  
INSULATOR: GLASS REINFORCED THERMOPLASTIC, UL94V-0, BLACK  
CONTACTS: PHOSPHOR BRONZE
- PLATING:  
CONTACT AREA: 15μ" GOLD PLATING  
SOLDER TAILS: 3μ" GOLD FLASH OVER 50μ" NICKEL PLATE
- ELECTRICAL:  
VOLTAGE RATING: 120VAC MAX  
CURRENT RATING: 0.5 AMP  
CONTACT RESISTANCE: 35 MILLIOHMS MAX  
INSULATION RESISTANCE: 500 MOHMS MIN  
DIELECTRIC WITHSTANDING VOLTAGE: 300VAC/MINIMUM
- ENVIRONMENTAL:  
OPERATING TEMPERATURE: -55° TO +85°
- PACKING: 500PCS/REEL, 2500PCS/CARTON
- UNSPECIFIED TOLERANCE: .XXX ±0.10[0.004]  
.XX ±0.20[0.008]  
.X ±0.30[0.012]

RoHS Compliant

		CONNECTING THE INFORMATION AGE	
X MULTIPLE ASIA 4F, No. 347, Yang Guang St., Neihu, Taipei, Taiwan 11475		X MULTIPLE USA 1420 Los Angeles Ave., Suite G, Simi Valley, CA 93065	
THIS DRAWING IS A CONTROLLED DOCUMENT.			
TITLE: SMT CONNECTOR 0.80 MM CENTER 20 POSITIONS		DWG NO: XSFP-N-SSM0-2002-MA	
PART NO: XSFP-N-SSM0-2002-MA		DRAWN: TOM	
		UNIT: mm[inch]	SHEET: 1 of 1
		REV: 01	CHKD: TARA
		DATE: Dec.15,08	