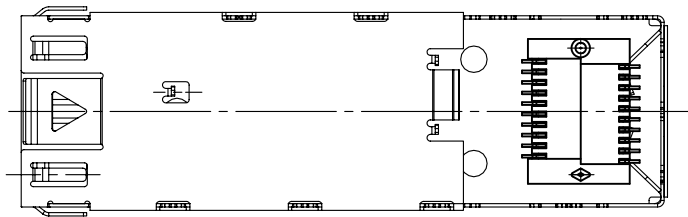
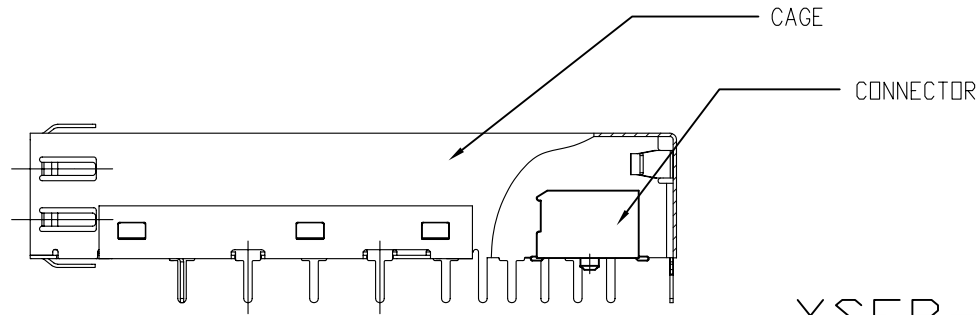
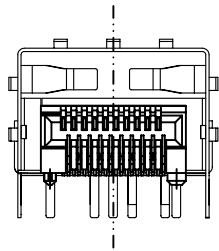
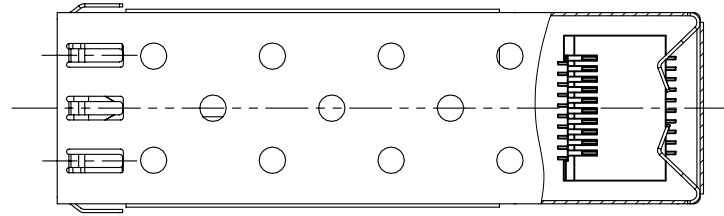


1. ASSEMBLY :



XSFP-K-SSLA-0101

TYPE  
K : KIT

S : STANDARD

SL : SOLDER LEAD

SERIAL NUMBER

0 : W/O LIGHT PIPE

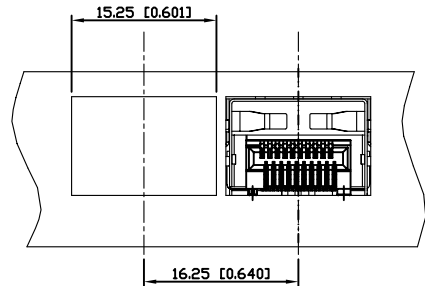
NUMBER OF PORT

A : EMI TAB

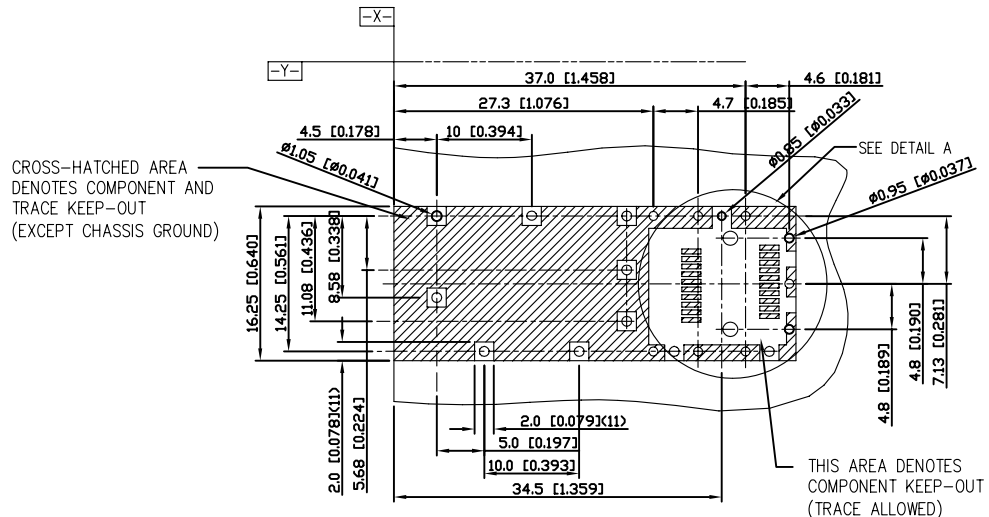
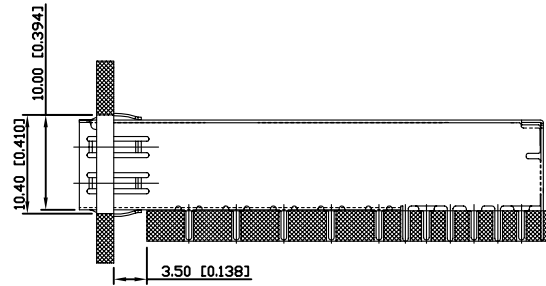
RoHS Compliant

<b>X MULTIPLE</b>		CONNECTING THE INFORMATION AGE	
XMULTIPLE ASIA 4F, No. 347, Yang Guang St., Neihu, Taipei, Taiwan 11475		XMULTIPLE USA 1420 Los Angeles Ave., Suite G, Simi Valley, CA 93065	
THIS DRAWING IS A CONTROLLED DOCUMENT.		G/NO:	
TITLE: SFP KIT: CAGE 1 PORT SOLDERABLE PIN +SMT CONNECTOR 0.80 MM 20 POSITIONS		DWG NO: XSFP-K-SSLA-0101	
PART NO: XSFP-K-SSLA-0101		DRAWN: IVAN	
		UNIT mm [inch]	SHEET 1 of 4
		REV 01	CHKD: TARA
			DATE: Feb.06,09

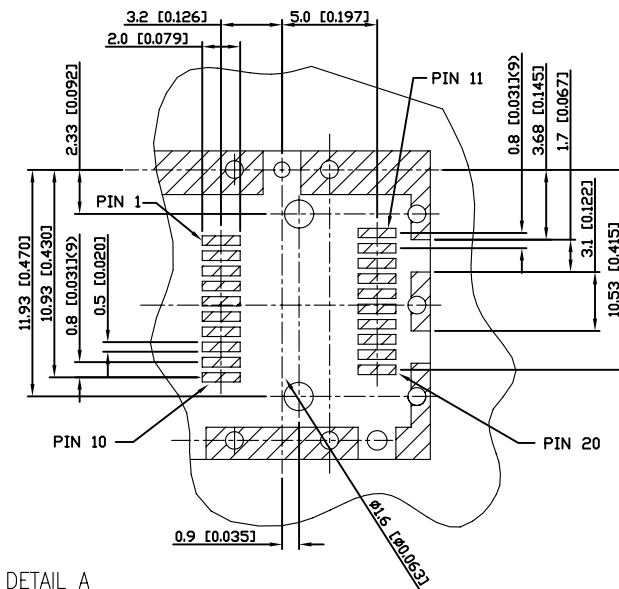
## 2. PCB LAYOUT :



RECOMMENDED  
PANEL CUTOUT DIMENSION



PCB LAYOUT THICKNESS=3.0mm (TOP VIEW)

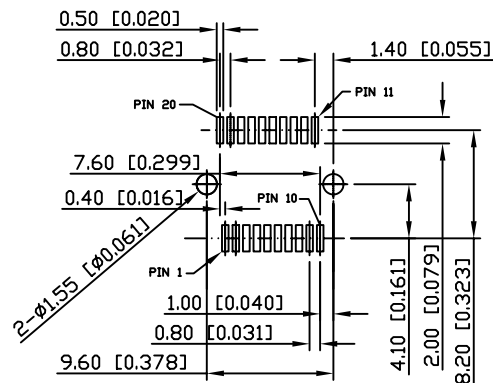
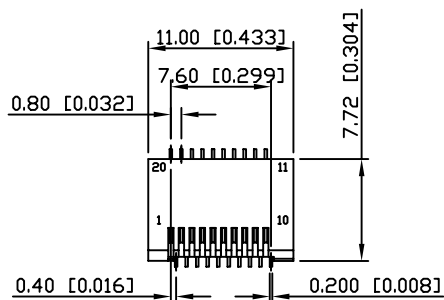


DETAIL A  
SCALE 2:1

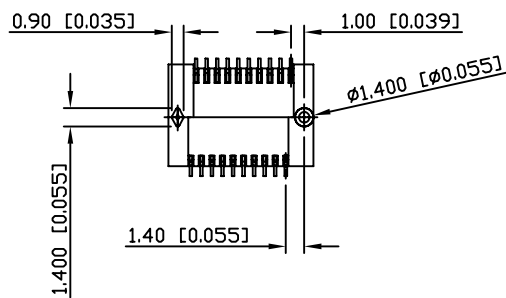
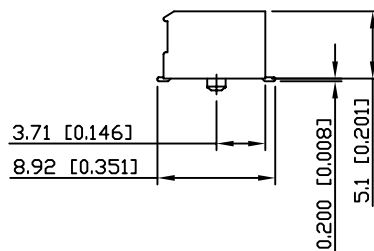
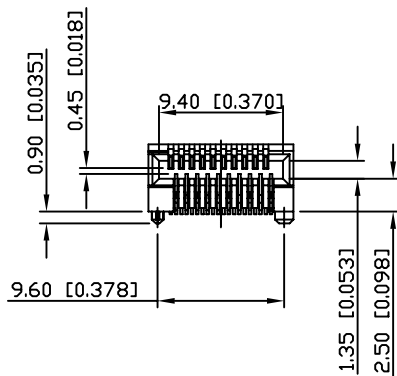
RoHS Compliant

<b>X MULTIPLE</b>		CONNECTING THE INFORMATION AGE	
XMULTIPLE ASIA 4F, No. 347, Yang Guang St., Neihu, Taipei, Taiwan 11475		XMULTIPLE USA 1420 Los Angeles Ave., Suite G, Simi Valley, CA 93065	
THIS DRAWING IS A CONTROLLED DOCUMENT.		G/NO: DWG NO: XSFP-K-SSLA-0101	
TITLE: SFP KIT: CAGE 1 PORT SOLDERABLE PIN +SMT CONNECTOR 0.80 MM 20 POSITIONS		DRAWN: IVAN	
PART NO: XSFP-K-SSLA-0101		CHKD: TARA	
UNIT mm[inch]		SHEET 2 of 4	REV 01
		DATE: Feb.06,09	

### 3. CONNECTOR :



RECOMMENDED P.C.B LAYOUT  
TOP VIEW ±0.05



NOTE:

- MATERIAL  
INSULATOR: GLASS REINFORCED THERMOPLASTIC, UL94V-0, BLACK  
CONTACTS: PHOSPHOR BRONZE
- PLATING:  
CONTACT AREA: 15u" GOLD PLATING  
SOLDER TAILS: 3u" GOLD FLASH OVER 50u" NICKEL PLATE
- ELECTRICAL:  
VOLTAGE RATING: 120VAC MAX  
CURRENT RATING: 0.5 AMP  
CONTACT RESISTANCE: 35 MILLIOHMS MAX  
INSULATION RESISTANCE: 500 MOHMS MIN  
DIELECTRIC WITHSTANDING VOLTAGE: 300VAC/MINIMUM
- ENVIRONMENTAL:  
OPERATING TEMPERATURE: -55° TO +85°
- PACKING: 500PCS/REEL, 2500PCS/CARTON
- UNSPECIFIED TOLERANCE: .XXX ±0.10[0.004]  
.XX ±0.20[0.008]  
.X ±0.30[0.012]

RoHS Compliant

		CONNECTING THE INFORMATION AGE	
X MULTIPLE ASIA 4F, No. 347, Yang Guang St., Neihu, Taipei, Taiwan 11475		X MULTIPLE USA 1420 Los Angeles Ave., Suite G, Simi Valley, CA 93065	
THIS DRAWING IS A CONTROLLED DOCUMENT.			
TITLE: SFP KIT, CAGE 1 PORT SOLDERABLE PIN +SMT CONNECTOR 0.80 MM 20 POSITIONS		DWG NO: XSFP-K-SSLA-0101	
PART NO: XSFP-K-SSLA-0101		DRAWN: IVAN	
		UNIT mm[inch]	SHEET 3 of 4
DATE: Feb.06,09		REV 01	CHKD: TARA

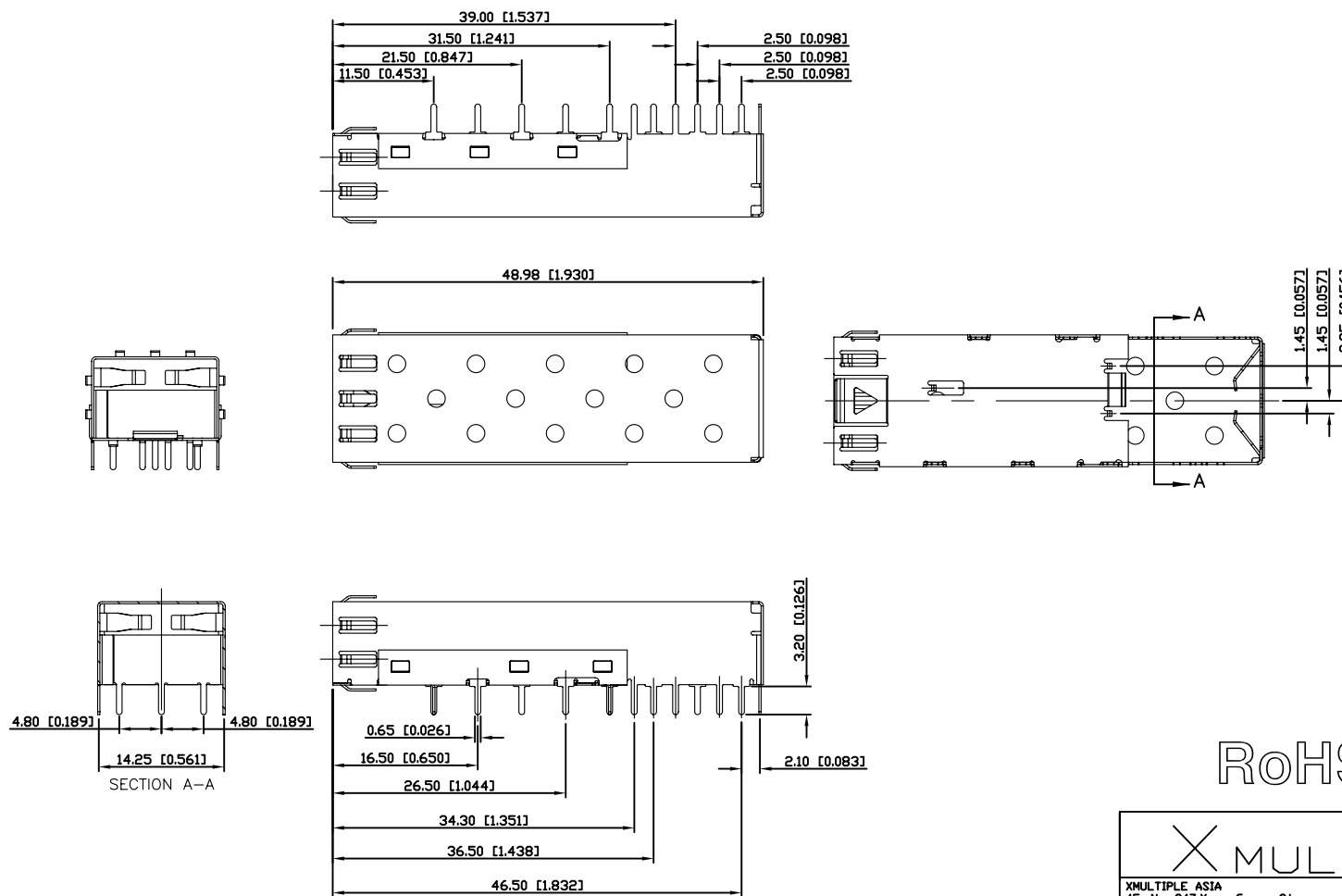
4. CAGE :

NOTE:

1.MATERIAL: BRONZE

2.PLATING: 100u" Ni FOR ALL

3.RoHS COMPLIANT



RoHS Compliant

		CONNECTING THE INFORMATION AGE	
X MULTIPLE ASIA 4F, No. 347, Yang Guang St., Neihu, Taipei, Taiwan 11475		X MULTIPLE USA 1420 Los Angeles Ave., Suite G, Simi Valley, CA 93065	
THIS DRAWING IS A CONTROLLED DOCUMENT.			
TITLE: SFP KIT: CAGE 1 PORT SOLDERABLE PIN +SMT CONNECTOR 0.80 MM 20 POSITIONS		DVG NO: XSFP-K-SSLA-0101	
PART NO: XSFP-K-SSLA-0101		DRAWN: IVAN	
		CHKD: TARA	
UNIT: mm/Inch 1		DATE: Feb.06,09	
SHEET: 4 of 4		REV: 01	