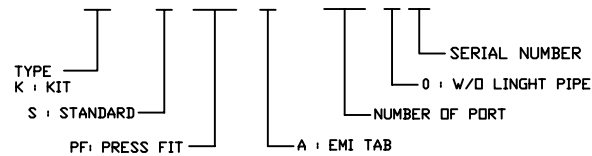


XSFP-K-SPFA-2102

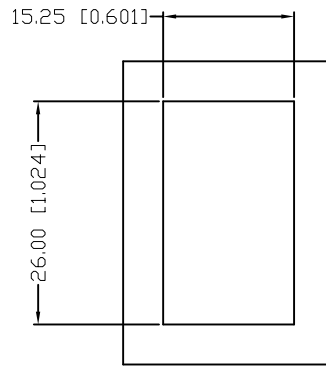


NOTES:

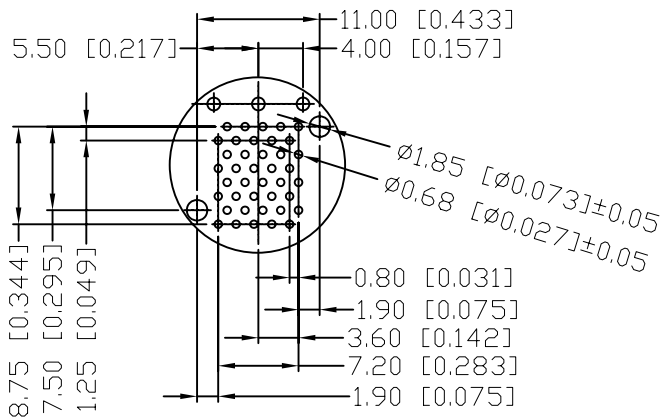
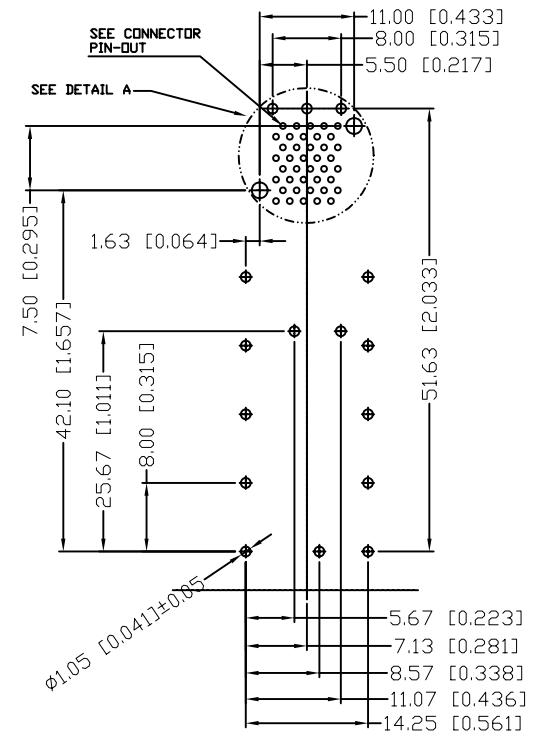
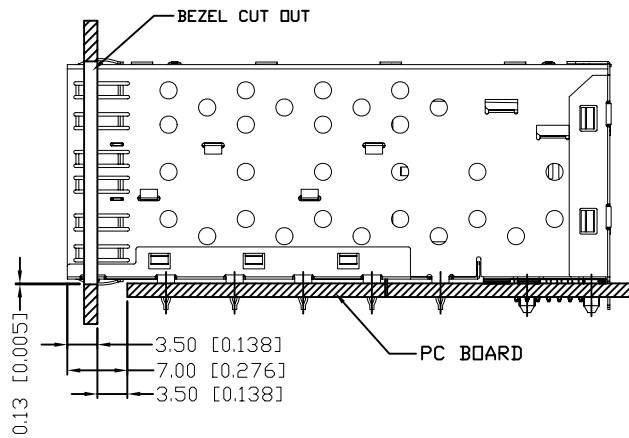
- MATERIAL
HOUSING: HIGH TEMP THERMOPLASTIC, UL94V-0, BLACK
CONTACT: PHOSPHOR BRONZE
SHIELD: COPPER ALLOY
INSERT: HIGH TEMP THERMOPLASTIC, UL94V-0, BLACK
- PLATING
CONTACT: 15u" GOLD PLATING AND TIN ON PRESS-FIT
TAIL OVER NICKEL UNDERPLATE
SHIELD: NICKEL PLATED
- UNSPECIFIED TOLERANCE: .XX ±0.15[0.006]
.X ±0.20[0.008]

RoHS Compliant

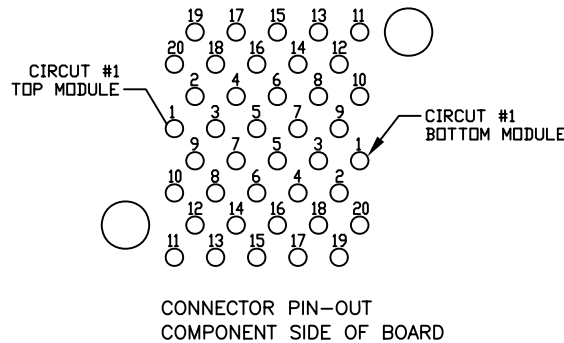
		CONNECTING THE INFORMATION AGE		
				XMULTIPLE ASIA 4F, No. 347, Yang Guang St., Neihu, Taipei, Taiwan 11475
THIS DRAWING IS A CONTROLLED DOCUMENT.				DWG NO: XSFP-K-SPFA-2102
TITLE: SFP 2x1 STACKED CAGE & CONN			DRAWN: TOM	
PART NO: XSFP-K-SPFA-2102			CHKD: TARA	
	UNIT mm[inch]	SHEET 1 of 2	REV 01	
			DATE: May.05,09	




BEZEL CUT-OUT CENTER SPACING DETAIL
BEZEL THICKNESS:0.8-2.6



DETAIL A
SCALE 6:1



RoHS Compliant

X MULTIPLE		CONNECTING THE INFORMATION AGE	
XMULTIPLE ASIA 4F, No. 347, Yang Guang St., Neihu, Taipei, Taiwan 11475		XMULTIPLE USA 1420 Los Angeles Ave., Suite G, Simi Valley, CA 93065	
THIS DRAWING IS A CONTROLLED DOCUMENT.		G/NO: DWG NO: XSFP-K-SPFA-2102	
TITLE: SFP 2*1 STACKED CAGE & CONN		DRAWN: TOM	
PART NO: XSFP-K-SPFA-2102		CHKD: TARA	
		UNIT mm[inch]	SHEET 2 of 2
		REV 01	DATE: May.05,09