

1 2 3 4 5 6 7 8

A

B

C

D

E

F

A

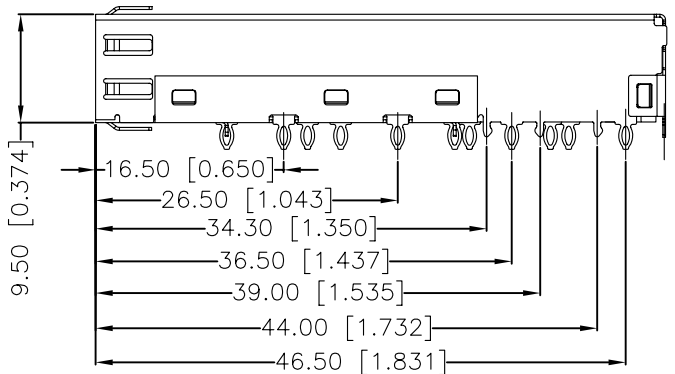
B

C

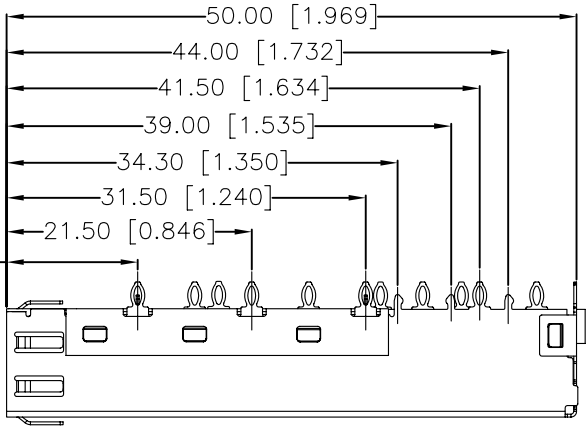
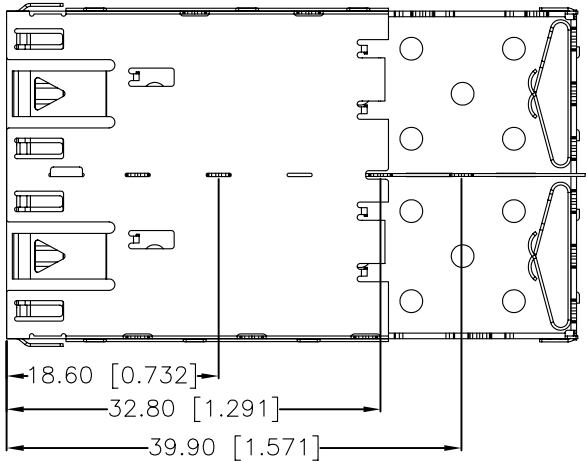
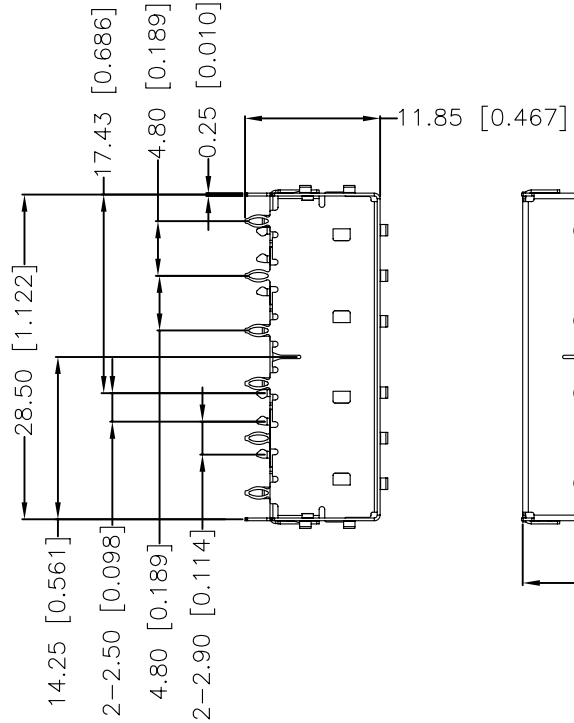
D

E

F



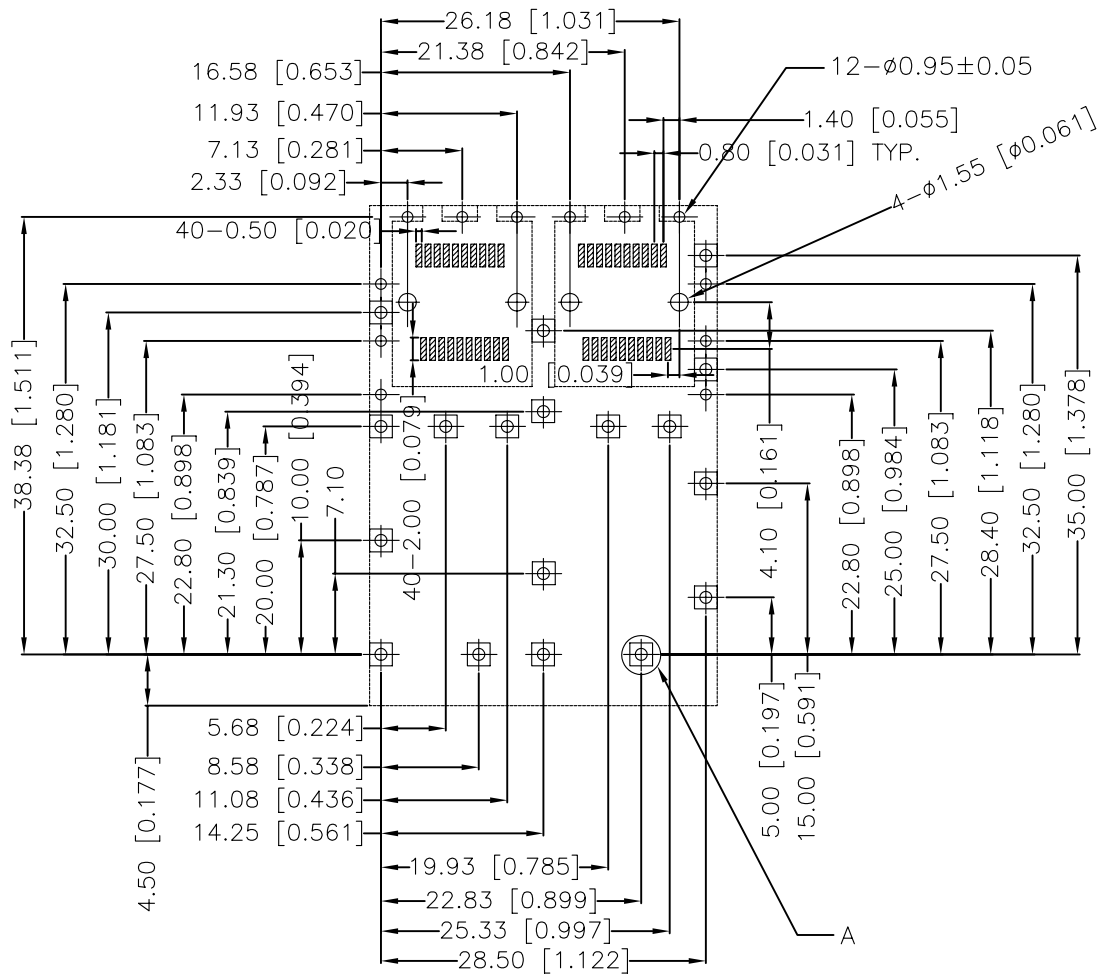
NOTE:  
 1.MATERIAL: COPPER ALLOY,NICKEL PLATED  
 2.PLATING: 100u" Ni FOR ALL  
 3.PACKING: 45PCS/Tray ;450PCS/Carton



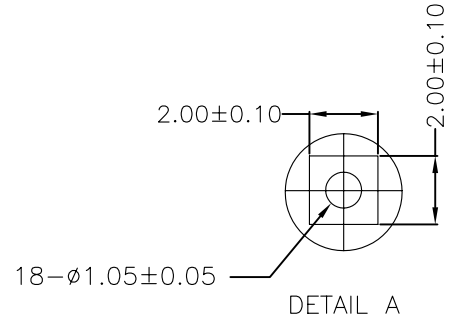
RoHS Compliant

		CONNECTING THE INFORMATION AGE		
				XMULTIPLE ASIA 4F, No. 347, Yang Guang St., Neihu, Taipei, Taiwan 11475
THIS DRAWING IS A CONTROLLED DOCUMENT.				DWG NO: XSFP-CN-SD0201
TITLE: SFP CAGE 1x2 PORT PRESS FIT TYPE				DRAWN: IVAN
PART NO: XSFP-CN-SD0201				CHKD: TARA
	UNIT mm[inch]	SHEET 1 of 2	REV 01	DATE: Nov.20,08

1 2 3 4 5 6 7 8



P.C.B LAYOUT  
TOP VIEW ±0.05



RoHS Compliant

		CONNECTING THE INFORMATION AGE		
				XMULTIPLE ASIA 4F, No. 347, Yang Guang St., Neihu, Taipei, Taiwan 11475
THIS DRAWING IS A CONTROLLED DOCUMENT.				DWG NO: XSFP-CN-SD0201
TITLE: SFP CAGE 1x2 PORT PRESS FIT TYPE				DRAWN: IVAN
PART NO: XSFP-CN-SD0201				CHKD: TARA
	UNIT mm [inch]	SHEET 2 of 2	REV 01	DATE: Nov.20,08