

## SFP 1\*1 RJ45 CAGE

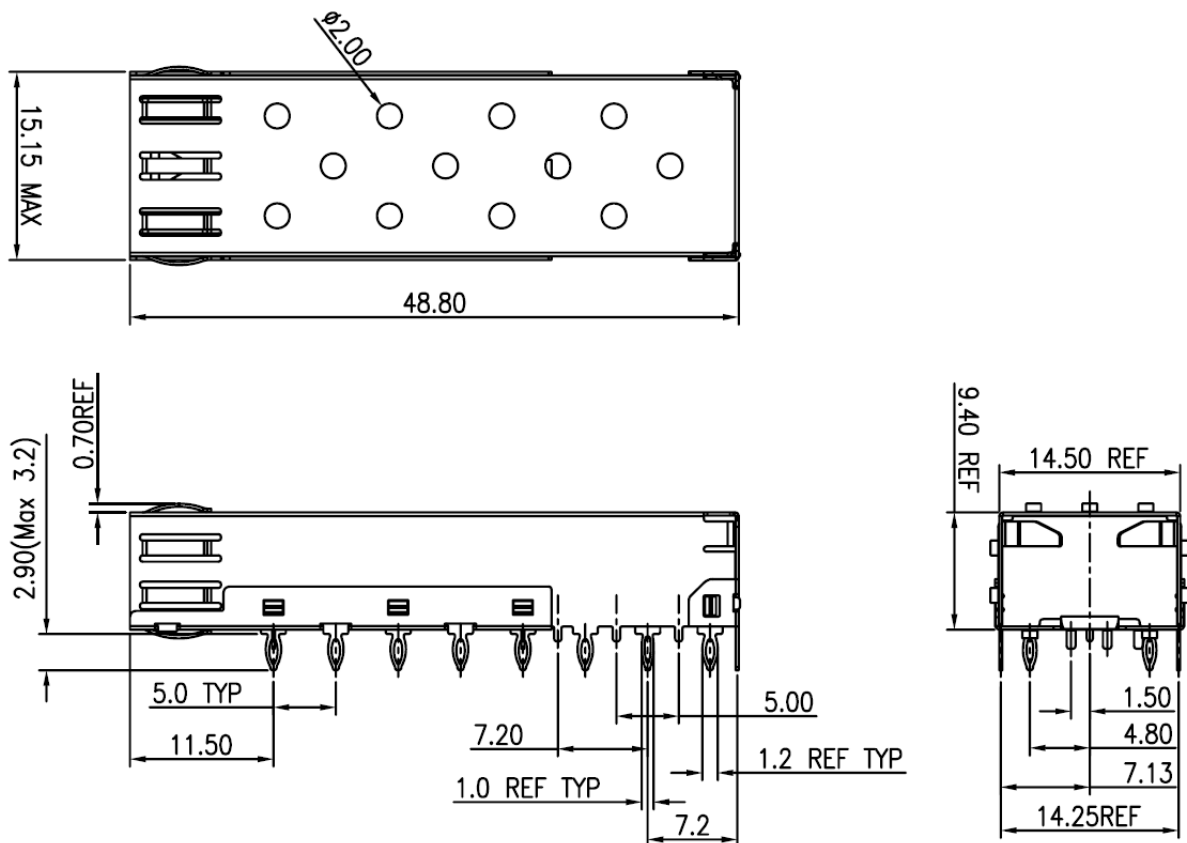
P/N: XSFP-C0090011

Page : 1/3

### Feature

- SEP 1\*1 RJ45 CAGE(21 pin press-fit).
- Material: 0.25 Thick copper alloy.
- Operating Temperature range: -55°C~+85°C
- Storage Temperature range: 0°C~+70°C
- RoHS compliant.

### Mechanical



Units: mm.

Tolerance:  $\pm 0.25$  unless specified otherwise.

Tel:+805-579-1100

E-mail:info@xmultiple.com

Fax:+805-579-7800

Website:www.xmultiple.com

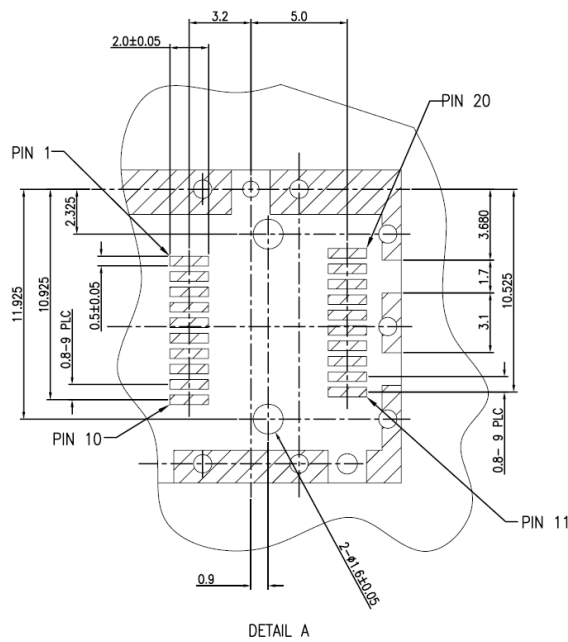
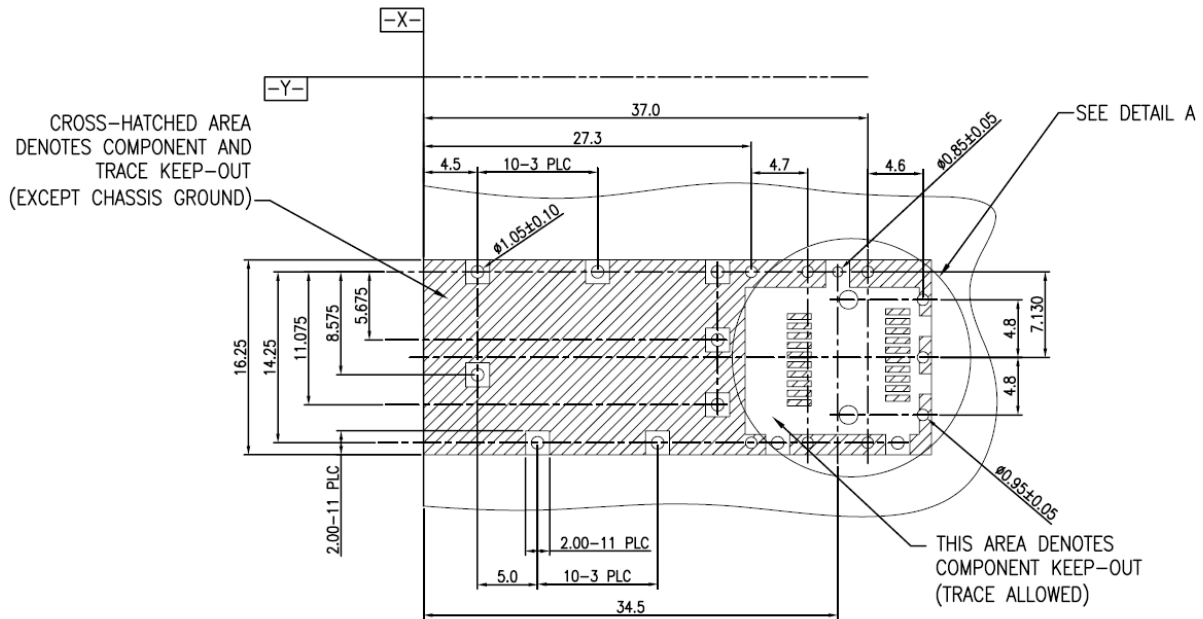


# SFP 1\*1 RJ45 CAGE

P/N: XSFP-C0090011

Page : 2/3

## PCB Layout Mounting Hole(Top View)



**Note:**  
Datasheet Change History:

Tel:+805-579-1100	Fax:+805-579-7800
E-mail:info@xmultiple.com	Website:www.xmultiple.com



**SFP 1\*1 RJ45 CAGE**

**P/N: XSFP-C0090011**

Page : 3/3

V0	Datasheet Set Up

<b>Tel:+805-579-1100</b>	<b>Fax:+805-579-7800</b>
<b>E-mail:info@xmultiple.com</b>	<b>Website:www.xmultiple.com</b>