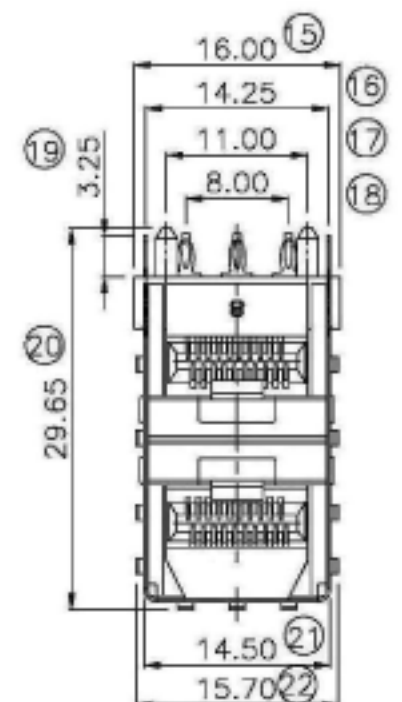
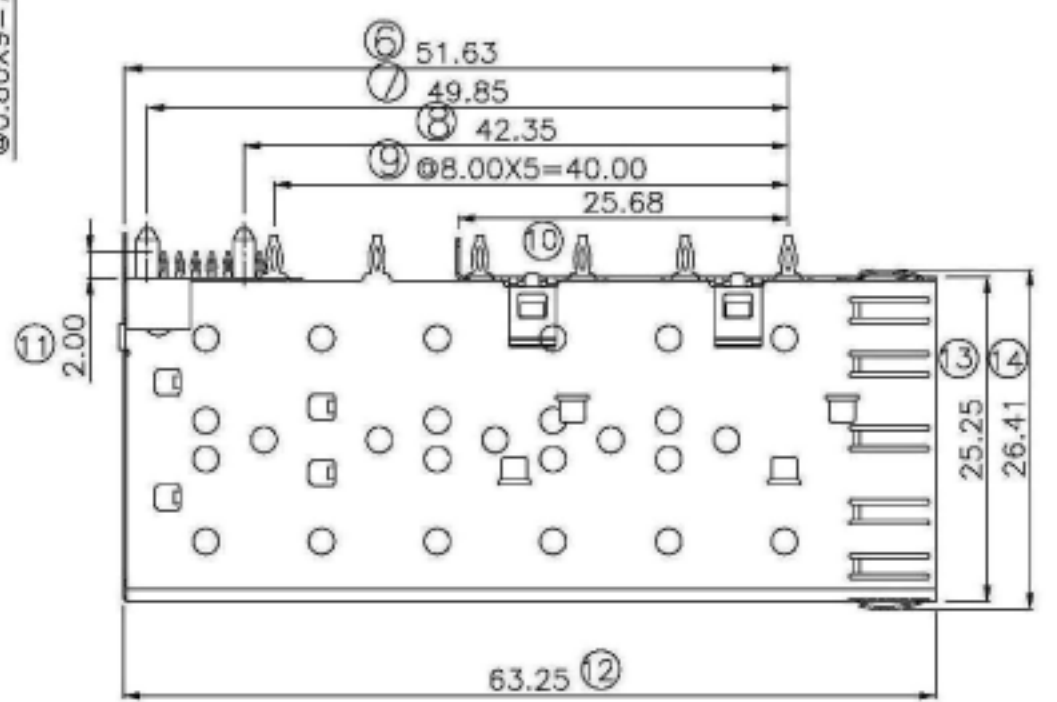
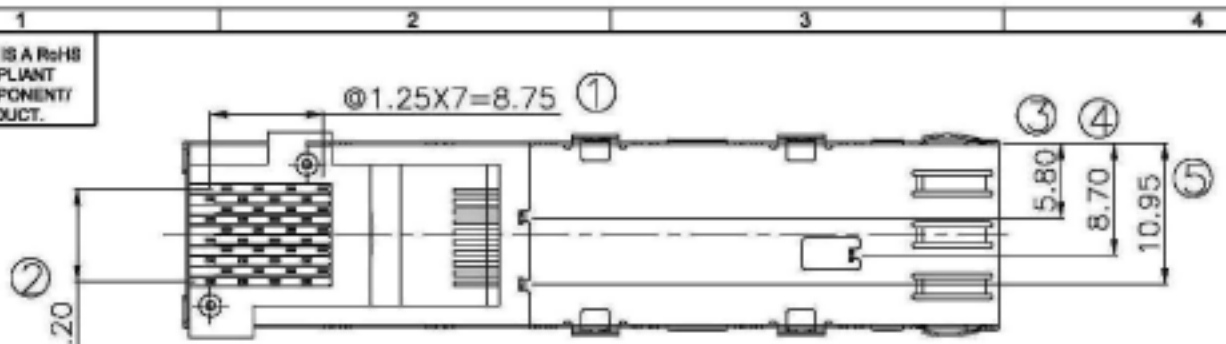




THIS IS A RoHS COMPLIANT COMPONENT PRODUCT.



		ADD NEW P/N(1)	LINGER	070507																				
	000500	NEW DESIGN	Brant	022507																				
MARK	ECN-NO.	REVISION RECORD	DRAWN	DATE																				
XMULTIPLE		<table border="1"> <tr> <td>Dimension Range</td> <td>tolerance</td> <td>SCALE</td> <td>CHECKED</td> </tr> <tr> <td>X.X</td> <td>±0.20 UNIT</td> <td>1/1</td> <td>scil</td> </tr> <tr> <td>X.XX</td> <td>±0.15</td> <td>mm</td> <td>Approved</td> </tr> <tr> <td>X.XXX</td> <td>±0.10</td> <td>mm</td> <td>jacky</td> </tr> <tr> <td>ANGLE</td> <td>±5°</td> <td>SIZE</td> <td>A3</td> </tr> </table>	Dimension Range	tolerance	SCALE	CHECKED	X.X	±0.20 UNIT	1/1	scil	X.XX	±0.15	mm	Approved	X.XXX	±0.10	mm	jacky	ANGLE	±5°	SIZE	A3	SHEET	1/2
Dimension Range	tolerance	SCALE	CHECKED																					
X.X	±0.20 UNIT	1/1	scil																					
X.XX	±0.15	mm	Approved																					
X.XXX	±0.10	mm	jacky																					
ANGLE	±5°	SIZE	A3																					
Name/Part No/Notes		NAME XSFP-C-02102																						
SEE NOTE		PART NO.	SEE NOTE	REV.																				
Tooling No.		DOC NO.	NN3.30A017	1																				

RoHS
 THIS IS A RoHS
 COMPLIANT
 COMPONENT
 PRODUCT.

NOTES:

ELECTRICAL:

- 1. VOLTAGE RATING : 125 VAC RMS
- 2. CURRENT RATING : 1.5 AMP
- 3. CONTACT RESISTANCE : 35 MILLIOHMS MAX.
- 4. INSULATING RESISTANCE : 1000 MEGOHMS @ 500 VDS MIN.
- 5. DIELECTRIC STRENGTH : 1000 VAC RMS 60Hz, 1MIN.

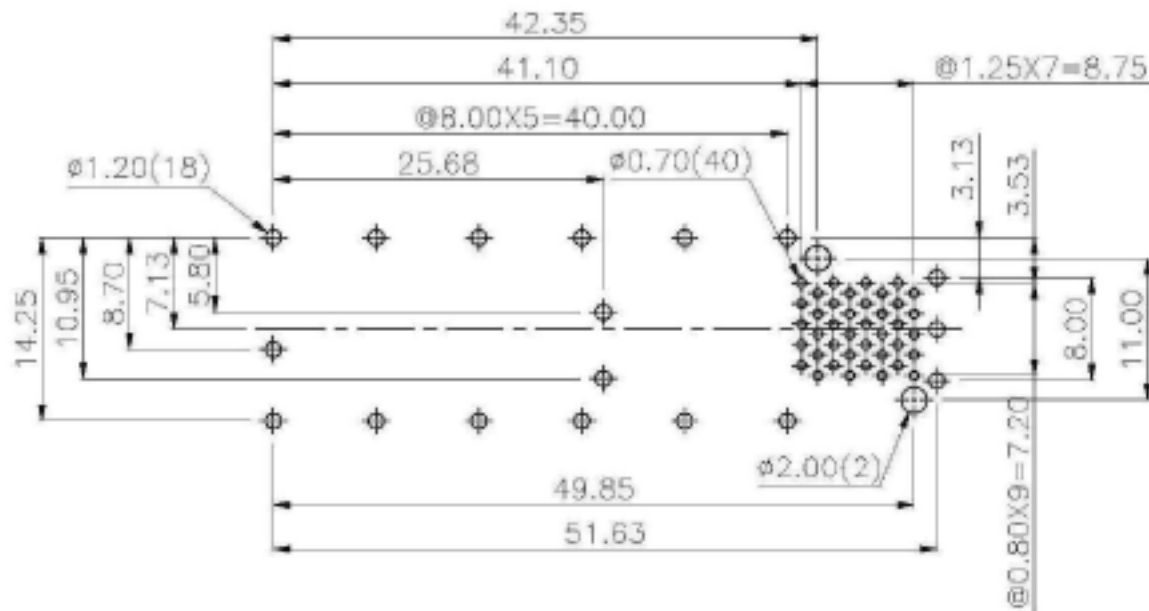
MECHANICAL:

- 1. HOUSING MATERIAL : HIGH TEMP. UL94V-0, COLOR BLACK.
- 2. CONTACT MATERIAL : PHOSPHOR BRONZE t=0.35mm
- 3. SHIELD MATERIAL : COPPER ALLOY t=0.20mm
- 4. PLATING : SELECTIVE GOLD PLATING OVER NICKEL.
- 5. OPERATING LIFE : 750 CYCLES MIN.
- 6. INSERT MATERIAL : HIGH TEMP. UL94V-0, COLOR BLACK.

ENVIRONMENTAL:

- 1. STORAGE : -40°C TO +85°C
- 2. OPERATION : 0°C TO 70°C

MATES WITH MODULAR PLUG CONFORMING TO FCC PART 68, SUBPART F.
 PART NUMBER: N33AX-017-0X



- D1-HIGH TEMP. W/Ø LOGO
- D2-HIGH TEMP. W/CTK LOGO
- △ D4-LCP W/T LOGO

- 1-3u" 2-6u"
- 3-15u" 4-30u"
- 5-50u"

PC Board Layout Component Side Shown

ADD NEW P/N(1)		LINGER	070507
NEW DESIGN		Brant	022507
MARK	ECN-NO.	REVISION RECORD	DRAWN DATE
XMULTIPLE		SCALE 1/1	CREATED soil
SEE NOTE		APPROVED jocky	
NAME SFP 2X1		SIZE A3	SHEET 2/2
PART NO. XSFP-02102		REV. 1	
DOC NO. NN330A017		Design drawing	