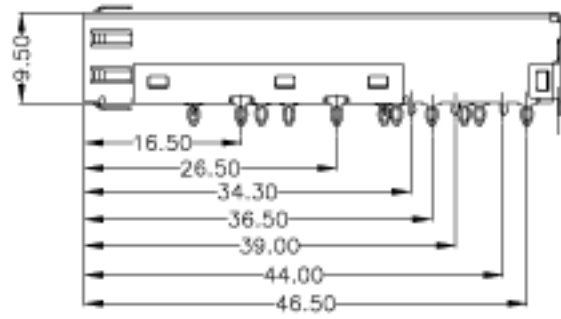


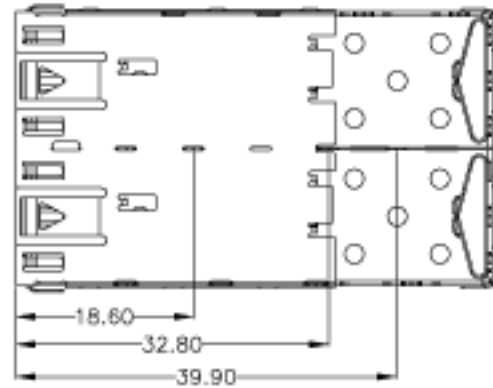
1 2 3 4

A



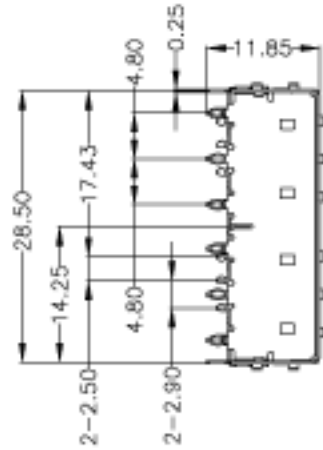
A

B

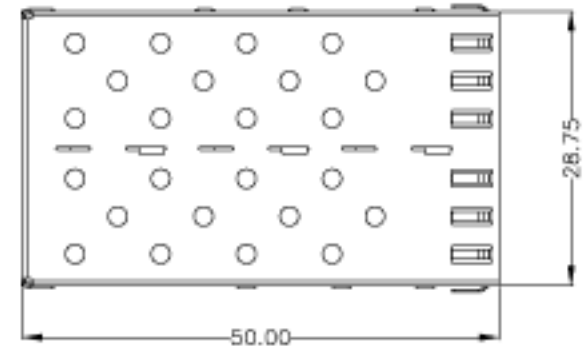


B

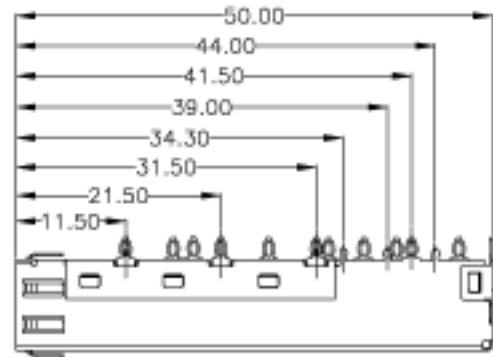
C



C



D



D

**MATERIALS**

SHELL: COPPER ALLOY, NICKEL PLATED

**XMULTIPLE**

DESIGN: SFP SERIES

TITLE: SFP 1x2 CAGE, R/A, METAL SHIELD, PRESS FIT TYPE WITH SPRING

LINEAR: .XX±0.20 .XXX±0.20 .00±0.10

APPROVALS

ANGLES: ±5°

DRAWN:

Lion

SIZE: VERSION: PART NUMBER

A4

A

XSFP-C-00202



CHECKED:

Eric

APPROVED:

James

SCALE: NONE

UNIT: (mm)

SHEET: 1 OF 1

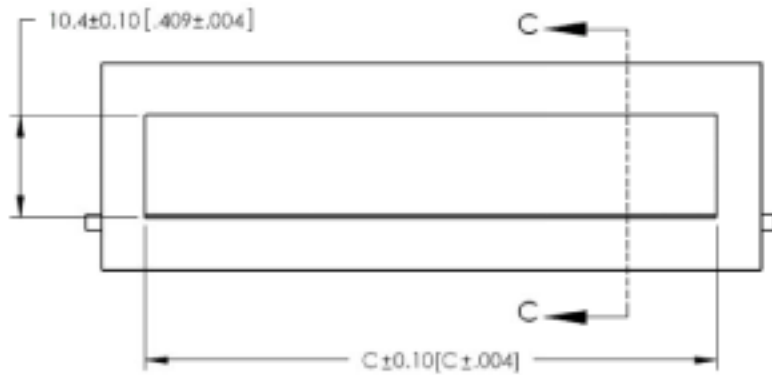
A	RELEASE	2008.5.10
REV.	DESCRIPTION	DATE

1

2

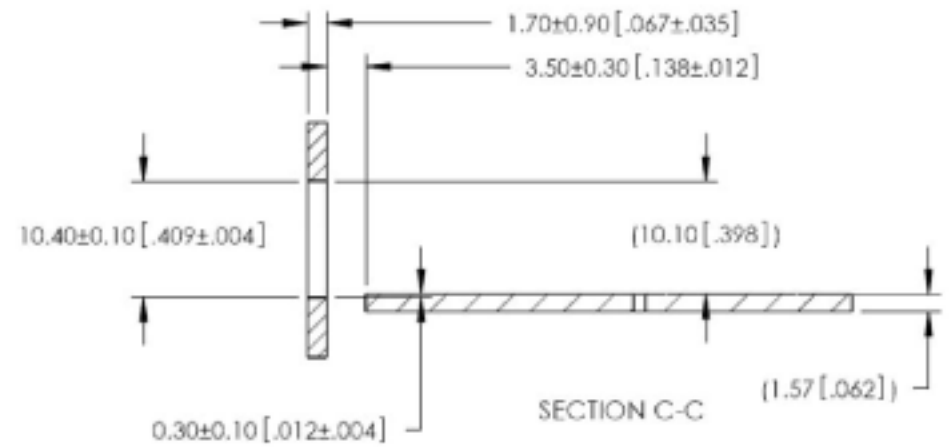
3

4



RECOMMENDED BEZEL DESIGN

PART NUMBER	C
80BE-001	29.5 [1.161]
80DE-002	58.0 [2.283]
80FE-001	86.5 [3.406]



**XMULTIPLE**

LINEAR .8±0.20 .8±0.20 .00±0.10

ANGLES: ±5°



10002

APPROVALS

DRAWN:

Lion

CHECKED:

Eric

APPROVED:

James

SCHEM:

SFP SERIES

TITLE:

SFP 1x2,1x4,1x6 CAGE, PCB LAYOUT

SIZE:

VERSION:

DWG NO.

A4

B

**XSFP-C-00202**

SCALE: NONE

UNIT: mm

SHEET: 1 OF 1