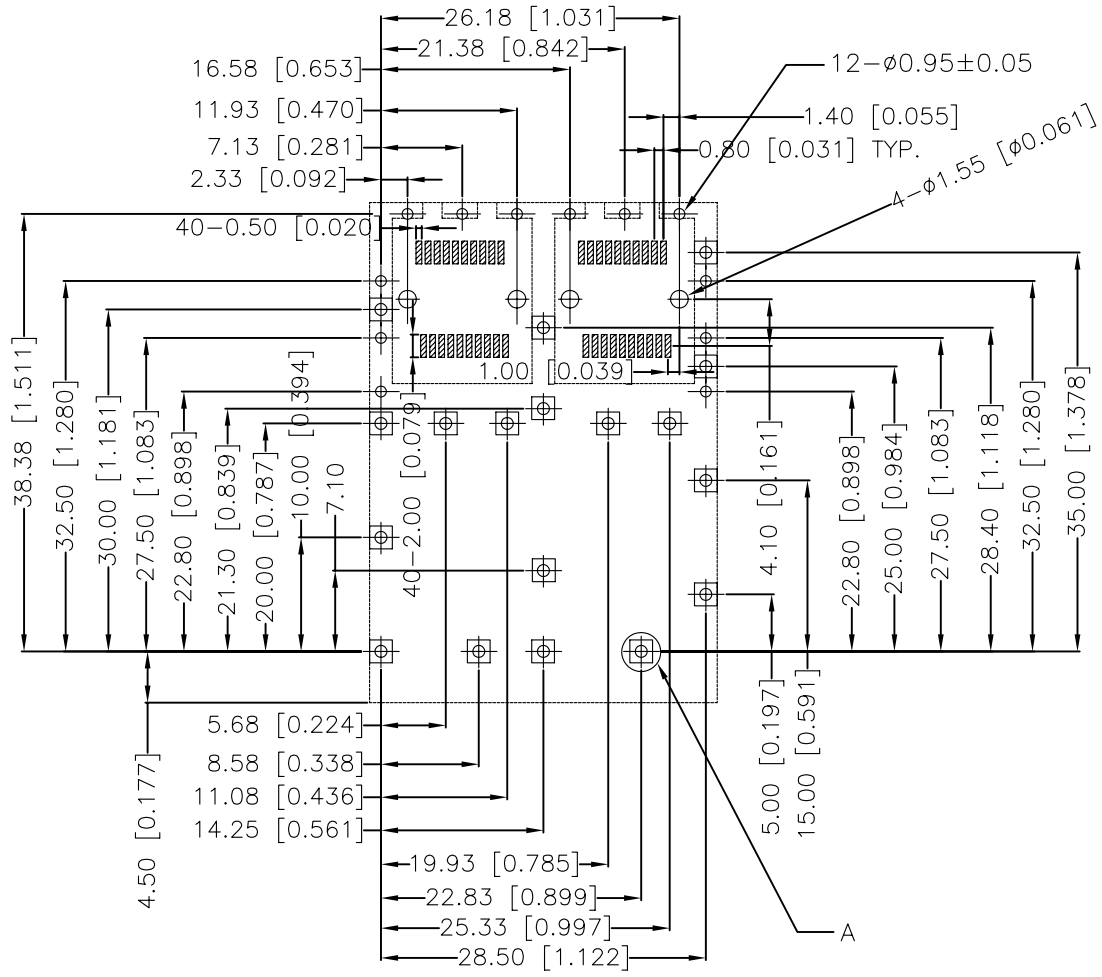


NOTE:
 1.MATERIAL: COPPER ALLOY,NICKEL PLATED
 2.PLATING: 100u" Ni FOR ALL
 3.PACKING: 45PCS/Tray ;450PCS/Carton

RoHS Compliant

		CONNECTING THE INFORMATION AGE	
X MULTIPLE ASIA 4F, No. 347, Yang Guang St., Neihu, Taipei, Taiwan 11475		X MULTIPLE USA 1420 Los Angeles Ave., Suite G, Simi Valley, CA 93065	
THIS DRAWING IS A CONTROLLED DOCUMENT.			
TITLE:		2 PORT SFP CAGE WITH LIGHTPIPE	
PART NO:		XSFP-A-SPFA-0211-MC	
		UNIT: mm [inch]	
		SHEET: 1 of 2	
DATE:		01 Sep.04,09	
DRAWN:		IVAN	
CHKD:		TARA	

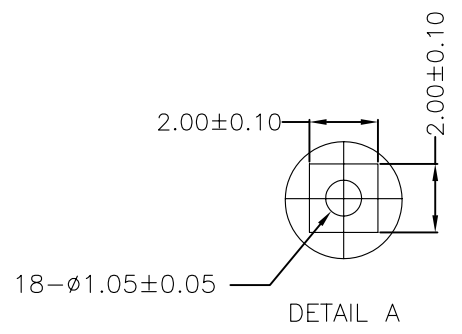


P.C.B LAYOUT
TOP VIEW ±0.05

XSFP-A-SPFA-0211-MC

TYPE: A: CAGE
S: STANDARD
PF: PRESS FIT
A: EMI TAB

CUSTOMER CODE
SERIAL NUMBER
1: W/LIGHTPIPE
NUMBER OF PORT



RoHS Compliant

		CONNECTING THE INFORMATION AGE		
				XMULTIPLE ASIA 4F, No. 347, Yang Guang St., Neihu, Taipei, Taiwan 11475
THIS DRAWING IS A CONTROLLED DOCUMENT.				DWG NO: XSFP-A-SPFA-0211-MC
TITLE: 2 PORT SFP CAGE WITH LIGHTPIPE				DRAWN: IVAN
PART NO: XSFP-A-SPFA-0211-MC				CHKD: TARA
	UNIT mm[inch]	SHEET 2 of 2	REV 01	DATE: Sep.04,09