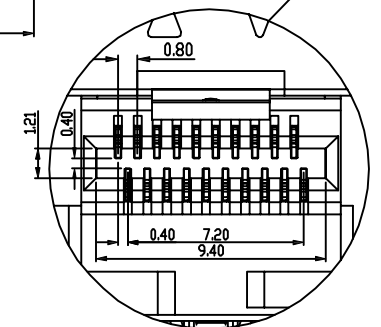
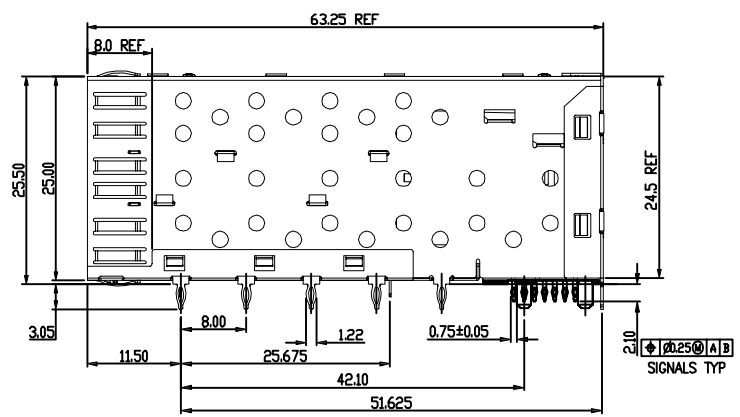
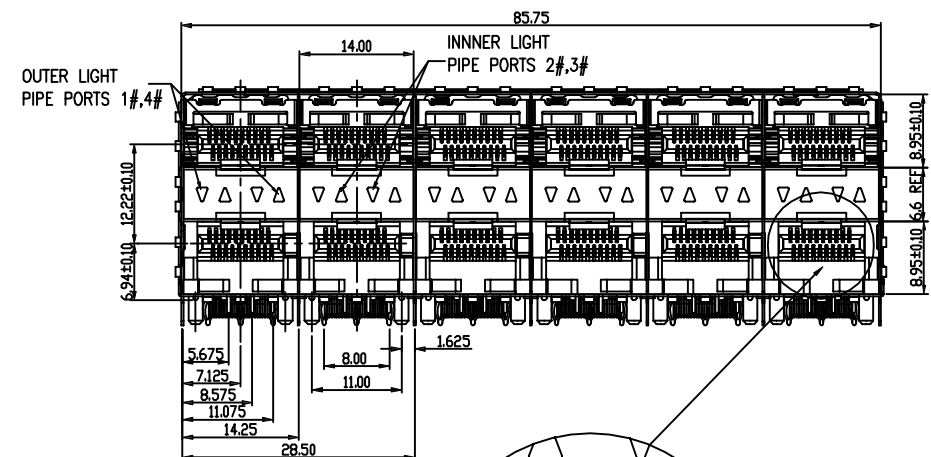
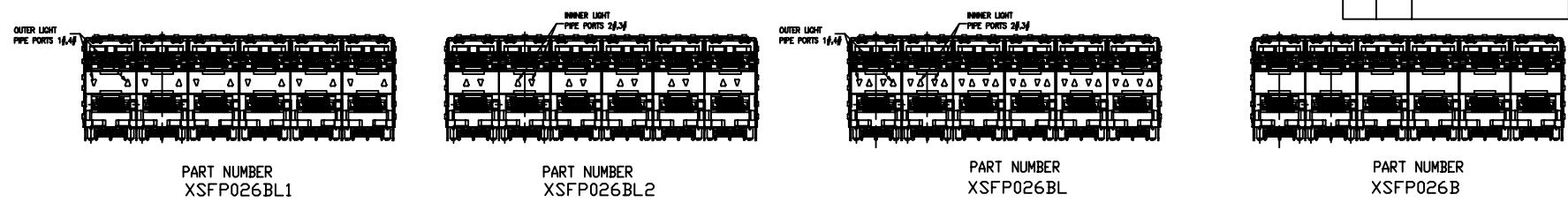


REVISION RECORD				
REV	ECD	DESCRIPTION	DRFT	CHKD

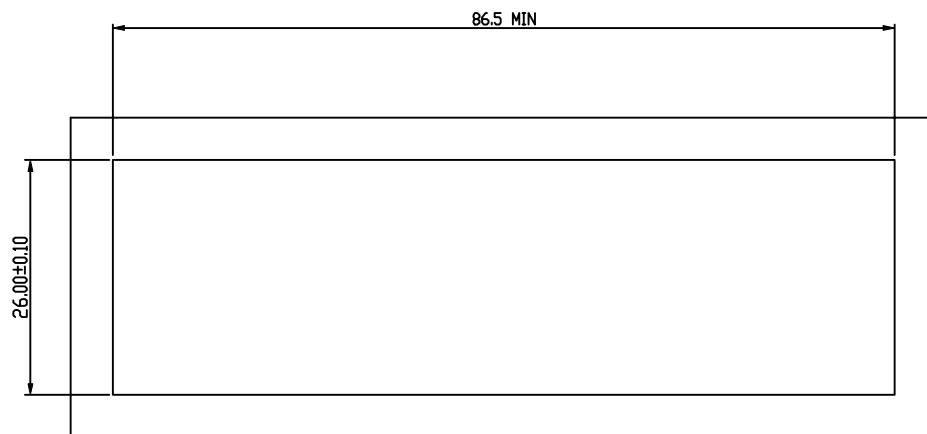


NOTE:
 1. DESCRIPTION
 01 SFP CAGE COPPER ALLOY
 02 CONNECTOR CONTACTS GOLD PLATING
 2. TEMPERATURE:
 OPERATION: -40°C ~ +85°C
 STORAGE: -40°C ~ +85°C
 3. RoHS COMPLIANT
 4. PART NUMBER : XSFP026BL

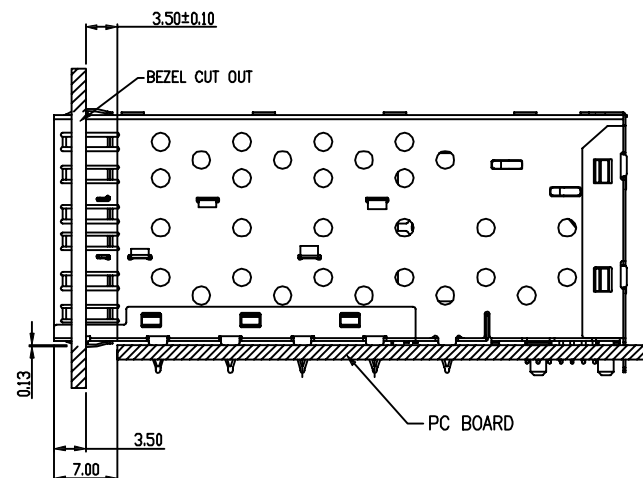
Qty Per:	TRAY	CARTON		
	6	30		
PART NUMBER	STATEMENT			
N/A	INNER/OUTER 4 PORTS LIGHT PIPES INNER 2 PORTS LIGHT PIPES OUTER 2 PORTS LIGHT PIPES			
No.	DESCRIPTION	Q'ty	MATERIAL	PLATING
01	SFP CAGE (Non-Logo)	1	COPPER ALLOY	NICKEL
02	CONNECTOR	6		GOLD
03	LIGHT PIPES	6	POLYCARBONITE	

DETACHED LISTS	MM (INCH)	DFTD JERRY	DATE 03/15/06	Xmultiple Technologies Inc.	
	TOLERANCES EXCEPT AS NOTED	CHKD	DATE		
		MFD	DATE		
		APPVL	DATE		
	MM			TITLE	
	.0 ± 0.20	±		SFP CAGE 2X6 PORT WITH LIGHT PIPE	
	.00 ± 0.15	±		DRAWING NO. SFP-026B	
	.000 ± 0.075	±		/PART NO. SEE NOTE	
	ANGLES ±	QT'Y :		SIZE	REV
	THIRD ANGLE PROJECTION	FINISH:		A3	0
		SCALE :		DO NOT SCALE DRAWING	
				SHEET X	OF Y

REVISION RECORD				
REV	ECD	DESCRIPTION	DRFT	CHKD

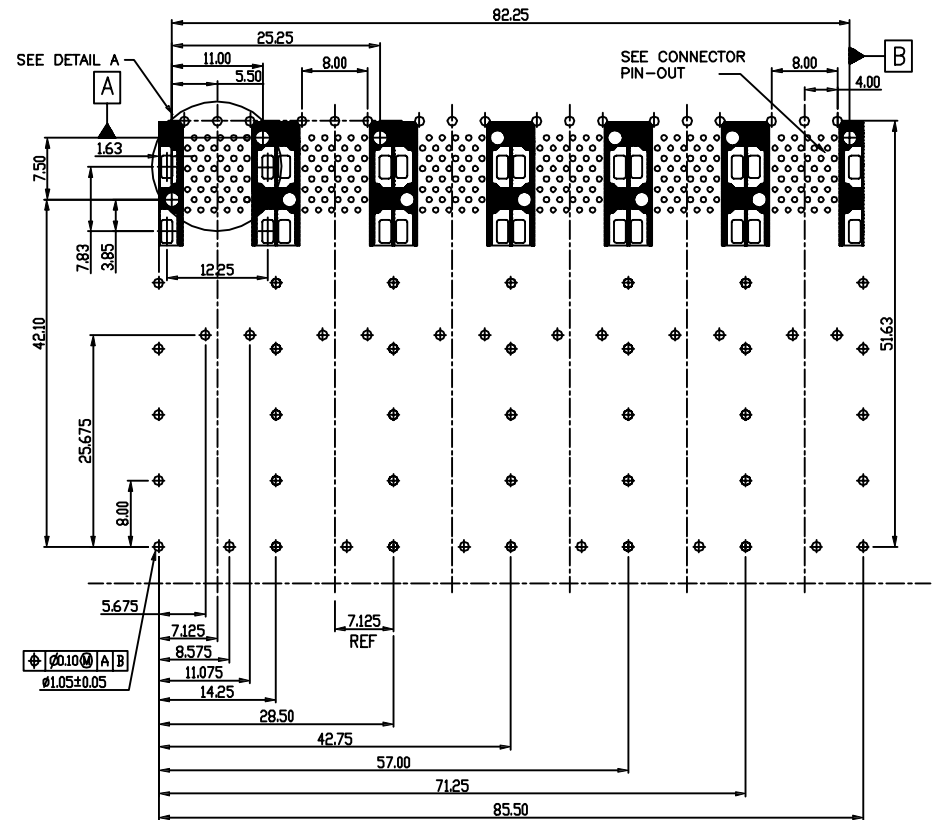
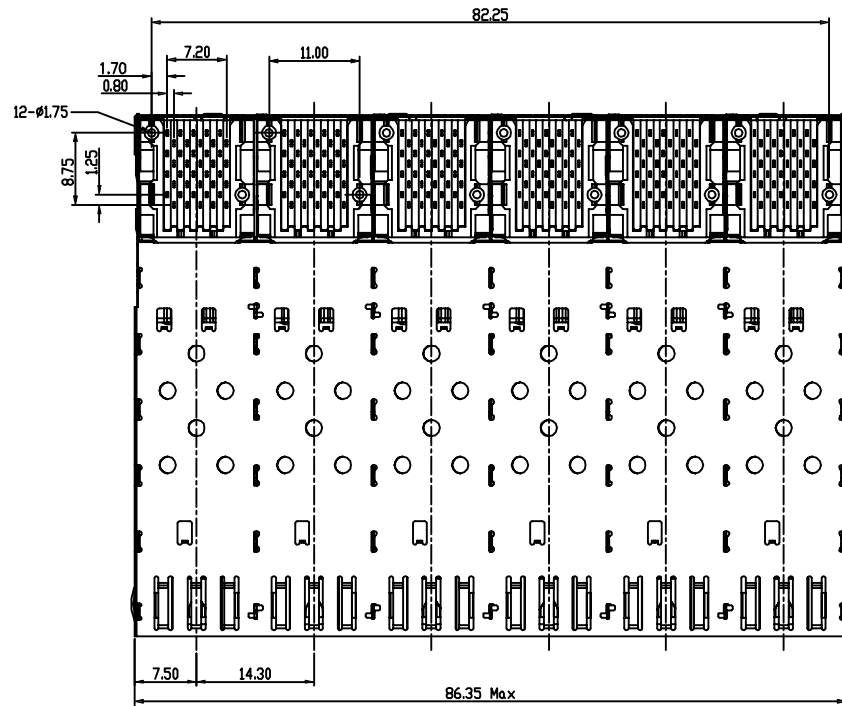


BEZEL CUT-OUT CENTER SPACING DETAIL
BEZEL THICKNESS:0.8-2.6



DETACHED LISTS	MM (INCH)		DFTD JERRY	DATE 03/15/98	Xmultiple Technologies Inc. TITLE SFP CAGE 2X6 PORT WITH LIGHT PIPE DRAWING NO. SFP-026B SIZE REV /PART NO. SEE NOTE A3 0 DO NOT SCALE DRAWING SHEET X OF Y
	TOLERANCES EXCEPT AS NOTED		CHKD	DATE	
	MM		MFD	DATE	
			APPVL	DATE	
	.0 ± 0.20	±	MATERIAL :		
	.00 ± 0.15	±	QT'Y :		
	.000 ± 0.075	±	FINISH:		
ANGLES ±			SCALE :		
 THIRD ANGLE PROJECTION					

REVISION RECORD				
REV	ECD	DESCRIPTION	DRFT	CHKD



MM (INCH)		DFTD JERRY	DATE 03/15/08
TOLERANCES EXCEPT AS NOTED		CHKD	DATE
MM	±	MFD	DATE
.0 ± 0.20	±	APPVL	DATE
.00 ± 0.15	±	MATERIAL :	
.000 ± 0.075	±	QT'Y :	
ANGLES ±		FINISH:	
THIRD ANGLE PROJECTION		SCALE :	

Xmultiple Technologies Inc.

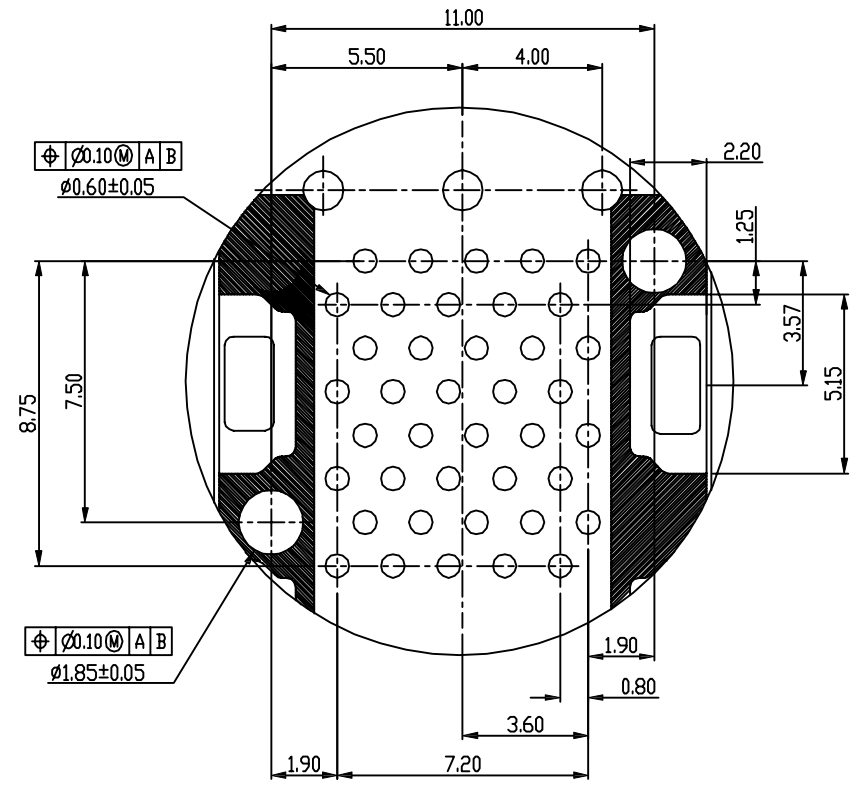
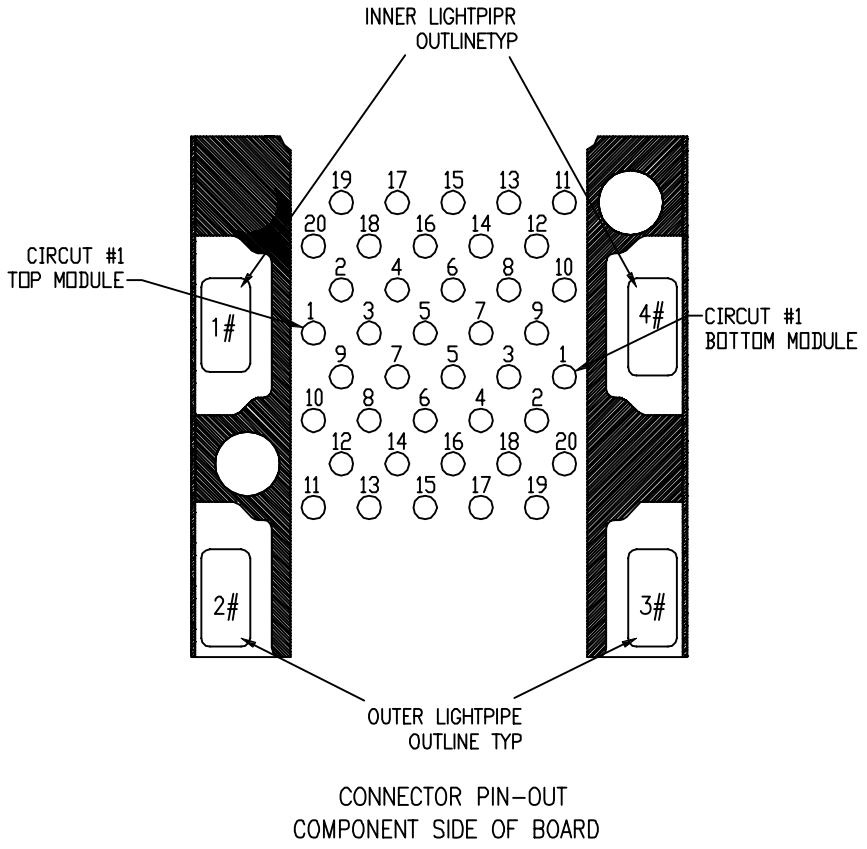
TITLE
SFP CAGE 2X6 PORT WITH LIGHT PIPE

DRAWING NO. SFP-026B
/PART NO. SEE NOTE

DO NOT SCALE DRAWING

SHEET X OF Y

REVISION RECORD				
REV	ECD	DESCRIPTION	DRFT	CHKD



DETAIL A
SCALE 6:1

DETACHED LISTS MM (INCH) TOLERANCES EXCEPT AS NOTED .0 ± 0.20 ± .00 ± 0.15 ± .000 ± 0.075 ± ANGLES ± THIRD ANGLE PROJECTION	DFTD JERRY CHKD MFD APPVL	DATE 03/15/08 DATE DATE DATE	Xmultiple Technologies Inc.		
	TITLE SFP CAGE 2X6 PORT WITH LIGHT PIPE		DRAWING NO. SFP-026B /PART NO. SEE NOTE	SIZE A3	REV <input type="checkbox"/>
	MATERIAL : QT'Y : FINISH:		DO NOT SCALE DRAWING		
	SCALE :		SHEET X OF Y		