

1

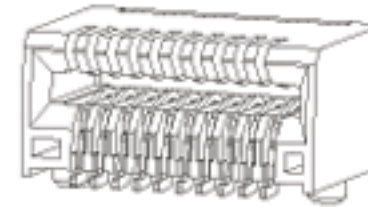
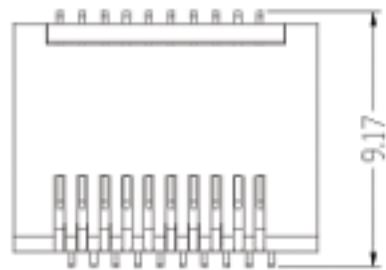
2

3

4

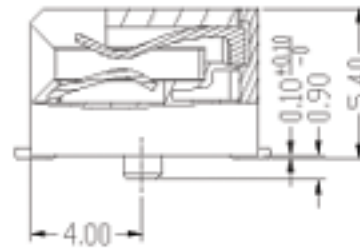
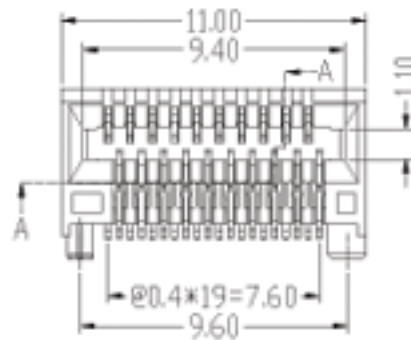
A

A



B

B



SECTION A-A

## NOTE:

## MECHANICAL:

1. TERMINAL: COPPER ALLOY
2. Housing: High Temperature Thermoplastic  
Glass Filled UL 94V-0. Color: Black

## PLATED:

1. Contact Area : 15u"Min Gold Over 110u" Min Nickle And 100u"Min Tin Over 110u" Min Nickle.

## MECHANICAL REQUIREMENT:

1. Durability: 200 cycles.
2. Insertion and extraction Force: 40N Max & 11.5N Max

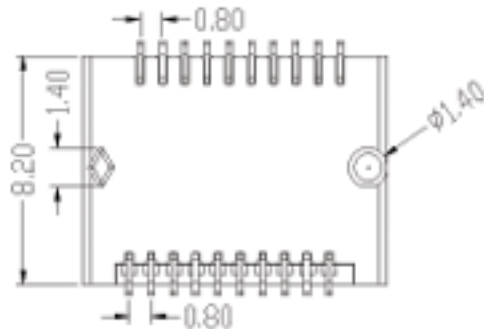
## ENVIRONMENTAL:

1. Contact Resistance: 20 Milliohms max initial.
2. Dielectric withstanding Voltage: 300V AC/min.
3. Operation: -55°C~+85°C.
4. Storage: -55°C~+85°C
5. WAVE SOLDERING TEMPERATURE: 255~265°C (5~10 SECONDS).
6. RoHS COMPLIANT

PART NUMBER: B869S-2015-Y001

C

C



XMULTIPLE

## TOLERANCES

.0 ± 0.25  
.00 ± 0.20  
.000 ± 0.15

ANGLES ± 0.5

Material: SEE NOTE

Designed: Neil

NAME: CONNECTOR, SFP 1XN SMT Type

SEE NOTE

Checked:

DWG NO: ESFP-003-01

REV.

SHEET 1 OF 2

Approved:

SFP-N-SSM0-2002

00

A4  
SIZESCALE  
1:1UNIT  
MMCUSTOMER: N/A  
MODEL NO: N/A

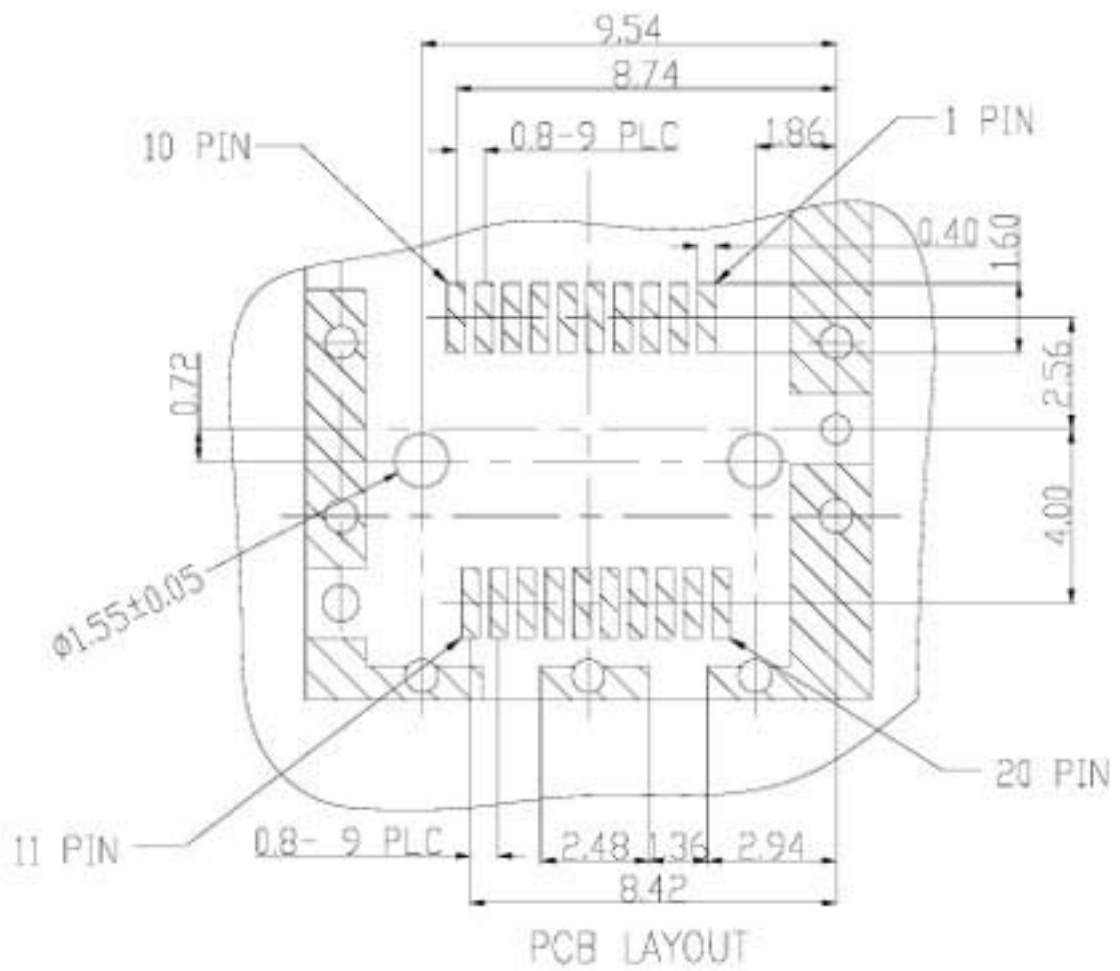
1

2

3

4

REV.	ECN NO.	DATE



RoHS Compliant

**XMULTIPLE**

TOLERANCES
.0 ± 0.20
.00 ± 0.20
.000 ± 0.15
ANGLES ± 0.0

Material:	SEE NOTE
Finish:	SEE NOTE
SHEET 2 OF 2	

Designed:	Neil
Checked:	
Approved:	

NAME:	CONNECTOR, SFP 1XN SMT Type
DWG NO:	ESFP-003-01
PART NO:	SFP-N-SSM0-2002

REV.  
00



A4  
SIZE

SCALE	UNIT	CUSTOMER:	MODEL NO:
1:1	MM	N/A	N/A

1

2

3

4