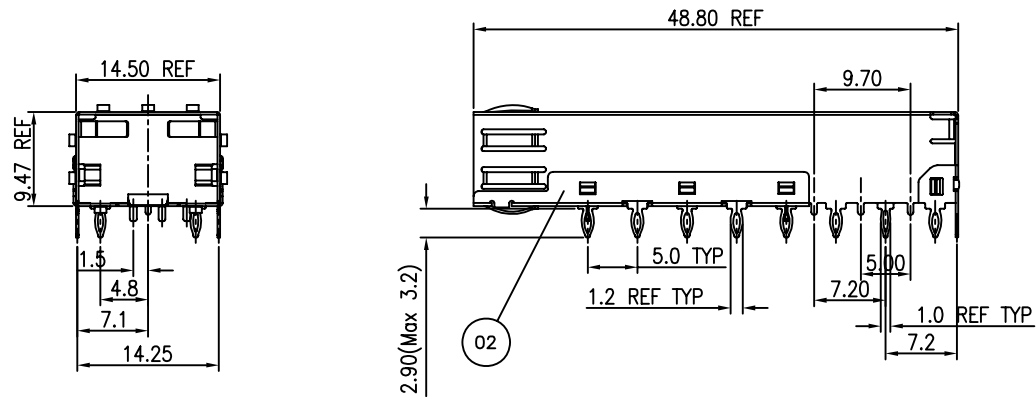
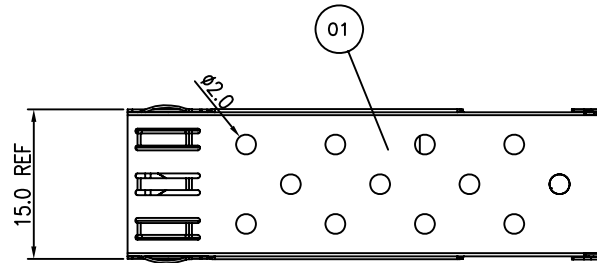


REVISION RECORD				
REV	ECO	DESCRIPTION	DRFT	CHKD



NOTE:

1, DESCRIPTION	Q'ty	MATERIAL	PLATING
01 SFP TOP CAGE (Non-Logo)	1PCS	COPPER ALLOY	N/A
02 SFP BOTTOM CAGE (Non-Logo)	1PCS	COPPER ALLOY	N/A

2, TEMPERATURE:
 OPERATION: $-55^{\circ}\text{C} \sim +105^{\circ}\text{C}$
 STORAGE: $-55^{\circ}\text{C} \sim +105^{\circ}\text{C}$

3, RoHS COMPLIANT

4, PART NUMBER : XSFP-CAGE-P11A
 P-PRESS FIT A-COPPER ALLOY
 11-SINGLE PORT

MM (INCH)		DFTO JACK	DATE 06/27/2011
TOLERANCES EXCEPT AS NOTED		CHKD	DATE
		MFO	DATE
		APPL	DATE
MATERIAL :		QT'Y :	
FINISH :		SCALE :	
THIRD ANGLE PROJECTION		DO NOT SCALE DRAWING	

Xmultiple Technologies, Inc.

TITLE
1X1 SFP CAGE PRESS FIT

DRAWING NO. SFP-112 SIZE A3 REV

/PART NO. SEE NOTE SHEET 1 OF 2

