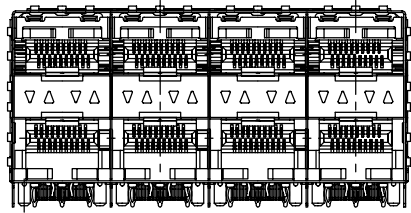
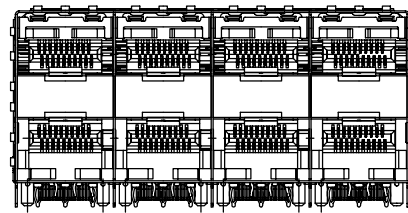


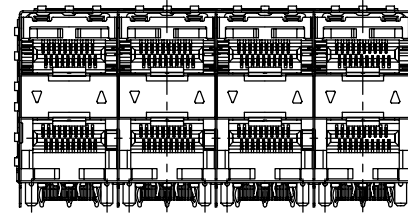
REVISION RECORD				
REV	ECO	DESCRIPTION	DRFT	CHKD



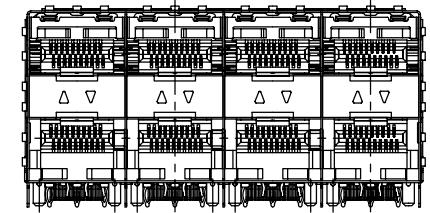
PART NUMBER
XSFP-024DL-ZHO



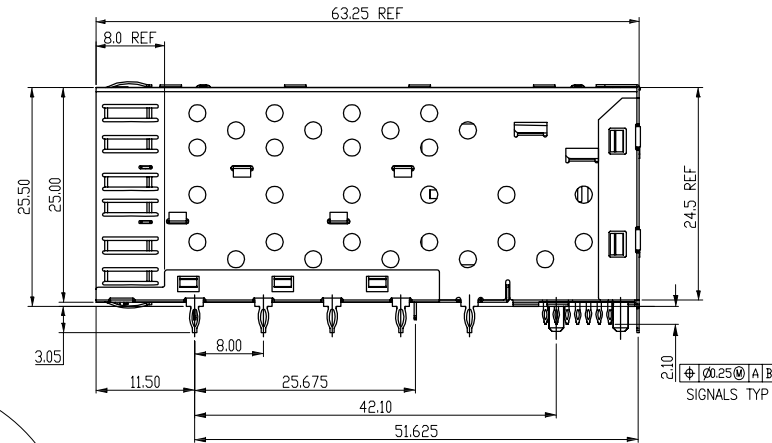
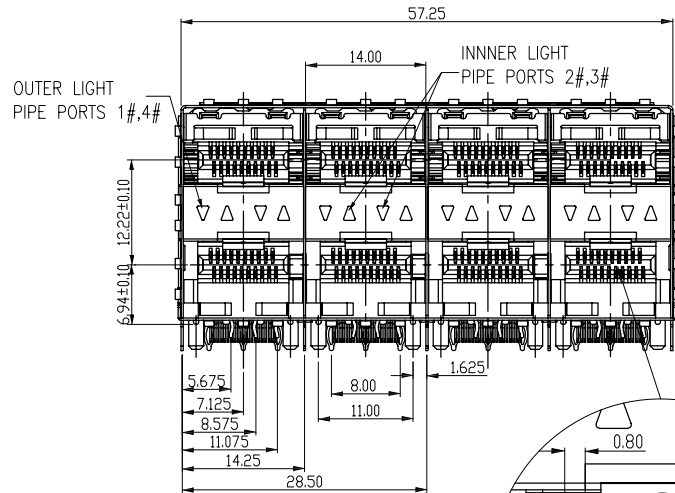
PART NUMBER
XSFP-024D-ZHO



PART NUMBER
XSFP-024DL1-ZHO



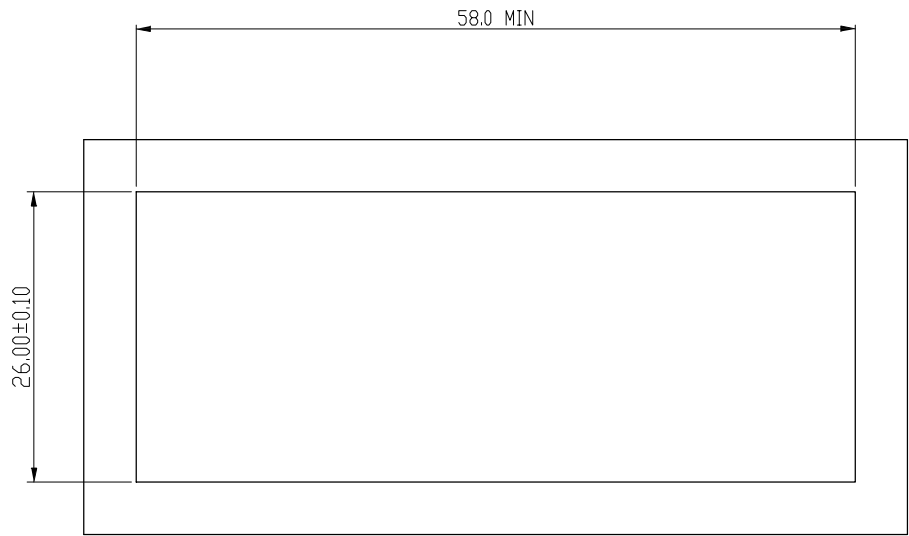
PART NUMBER
XSFP-024DL2-ZHO



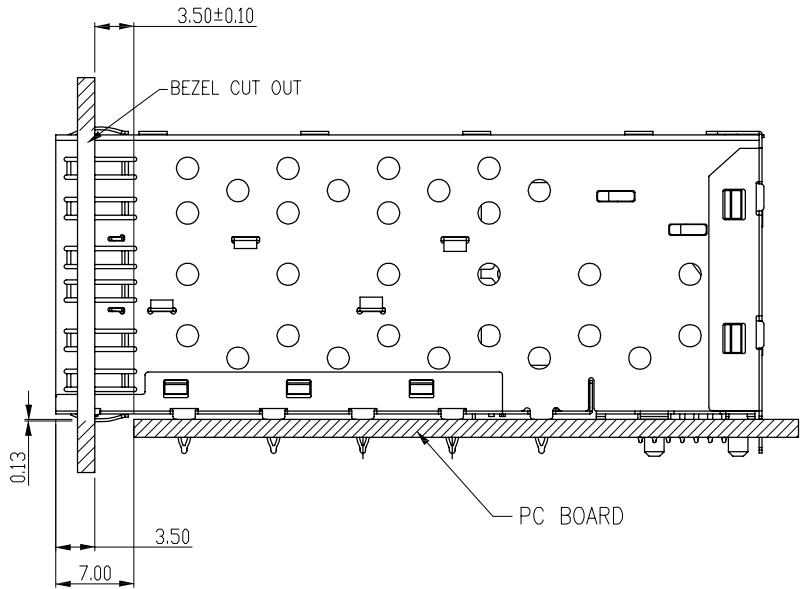
Per:	TRAY	CARTON
	6	30
PART NUMBER	STATEMENT	
N/A	INNER/OUTER 4 PORTS LIGHT PIPES INNER 2 PORTS LIGHT PIPES OUTER 2 PORTS LIGHT PIPES	
DESCRIPTION	Q'ty	MATERIAL
SFP CAGE (Non-Logo)	1	COPPER ALLOY
CONNECTOR	4	NICKEL GOLD
LIGHT PIPES	4	POLYCARBONITE

DETACHED LISTS	MM (INCH)	DFTD JERRY	DATE 03/15/08
	TOLERANCES EXCEPT AS NOTED	CHKD	DATE
		MFD	DATE
		APPVL	DATE
	MM	MATERIAL :	
	.0 ± 0.20	QT'Y :	
	.00 ± 0.15	FINISH:	
	.000 ± 0.075	SCALE :	
	ANGLES ±	THIRD ANGLE PROJECTION	
		Xmultiple Technologies Inc.	
		TITLE	
		SFP CAGE 2X4 PORT W/LIGHT PIPE	
		DRAWING NO. SFP-024D	SIZE A3
		/PART NO. SEE NOTE	REV
		DO NOT SCALE DRAWING	SHEET X OF Y

REVISION RECORD				
REV	ECD	DESCRIPTION	DRFT	CHKD

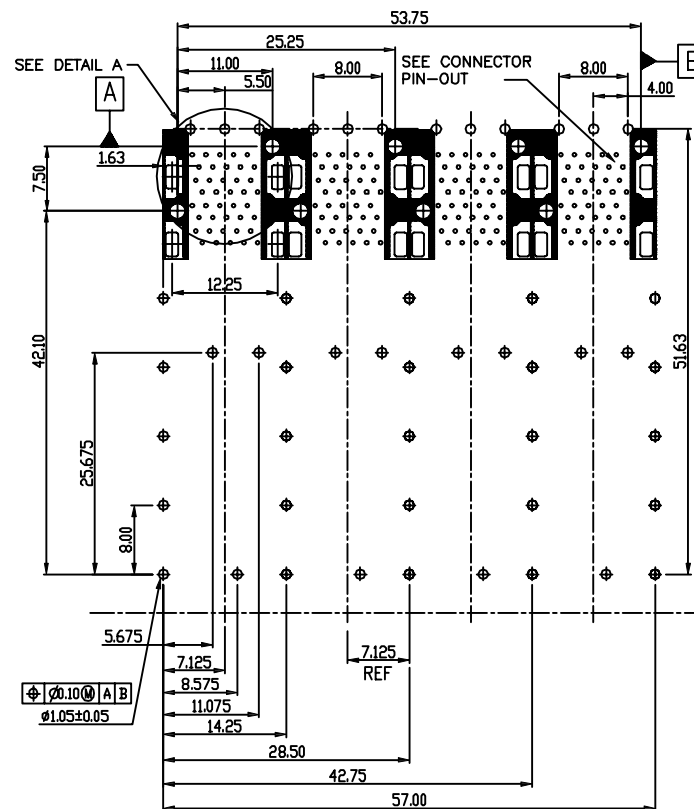
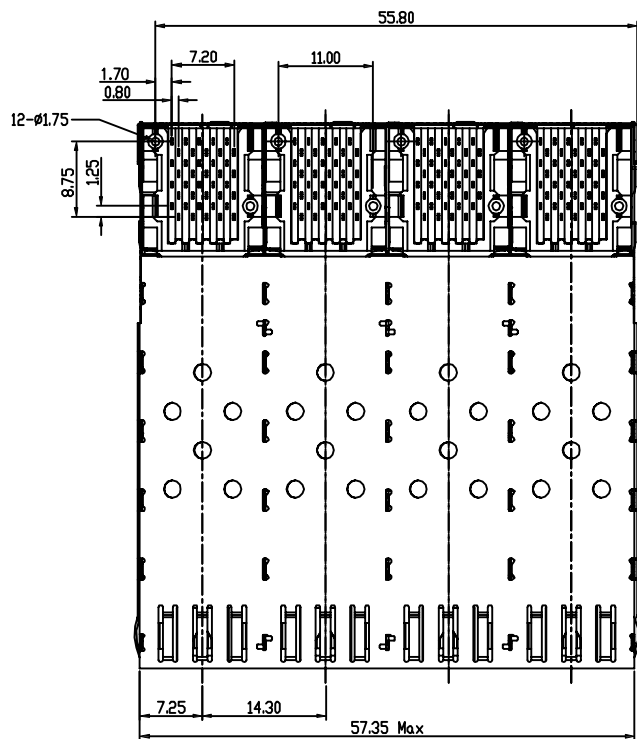


BEZEL CUT-OUT CENTER SPACING DETAIL
BEZEL THICKNESS:0.8-2.6



DETACHED LISTS	← MM (INCH) →		DFTD JERRY	DATE 03/15/08	Xmultiple Technologies Inc. TITLE SFP CAGE 2X4 PORT WITH LIGHT PIPE DRAWING NO. SFP-024D SIZE A3 REV <input type="checkbox"/> /PART NO. SEE NOTE DO NOT SCALE DRAWING SHEET X OF Y
	TOLERANCES EXCEPT AS NOTED		CHKD	DATE	
	MM	±	MFD	DATE	
	.0 ± 0.20	±	APPVL	DATE	
.00 ± 0.15	±	MATERIAL :			
.000 ± 0.075	±	QT'Y :			
ANGLES ±		FINISH:			
 THIRD ANGLE PROJECTION		SCALE :			

REVISION RECORD				
REV	ECD	DESCRIPTION	DRFT	CHKD



DETACHED LISTS	MM (INCH)	DFTD JERRY	DATE 03/15/08	Xmultiple Technologies Inc.		
	TOLERANCES EXCEPT AS NOTED	CHKD	DATE			TITLE
	MM	MFO	DATE			SFP CAGE 2X4 PORT WITH LIGHT PIPE
	.0 ± 0.20 ±	APPVL	DATE			DRAWING NO. SFP-024D
.00 ± 0.15 ±			MATERIAL :	SIZE A3		
.000 ± 0.075 ±			QT'Y :	REV		
ANGLES ±			FINISH:	Ø		
THIRD ANGLE PROJECTION			SCALE :	DO NOT SCALE DRAWING		
				SHEET X OF Y		

8

7

6

5

4

3

2

1

H

G

F

E

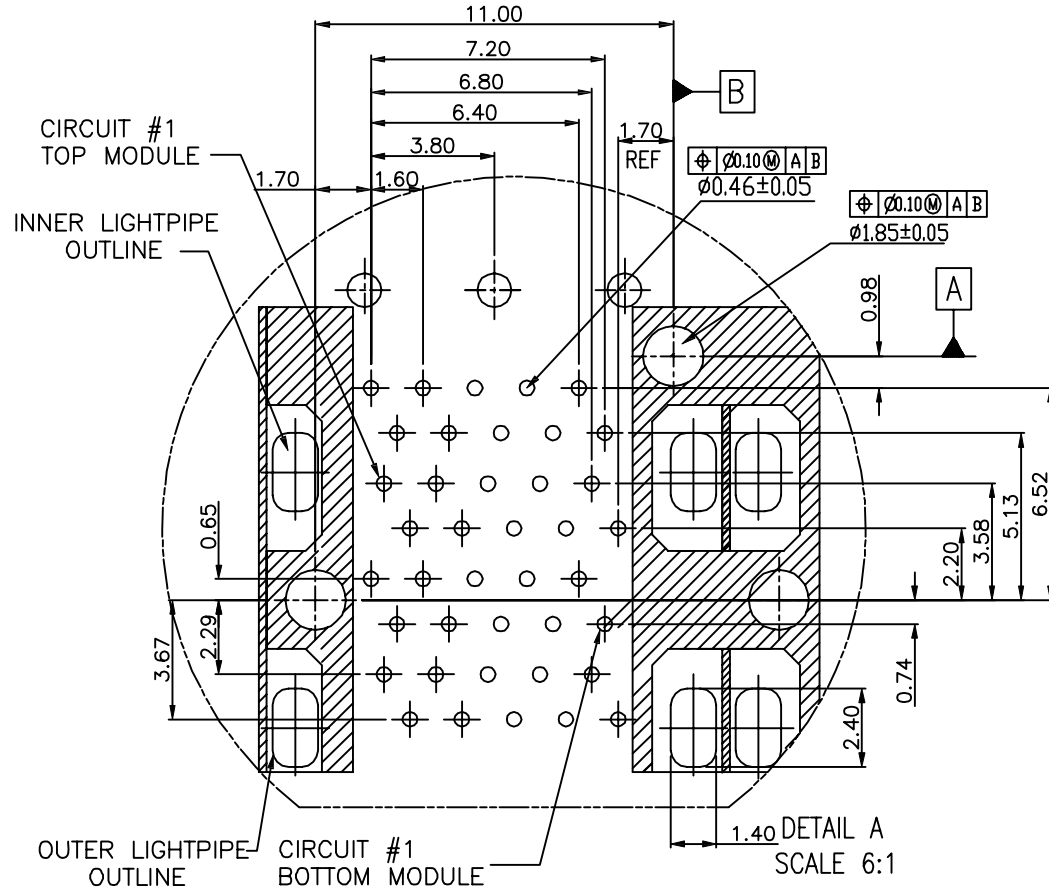
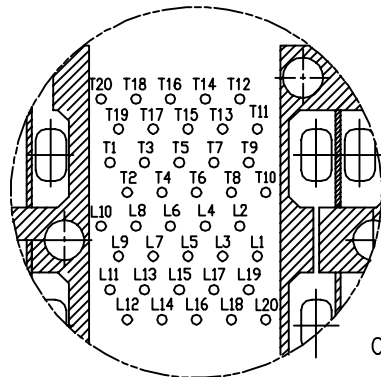
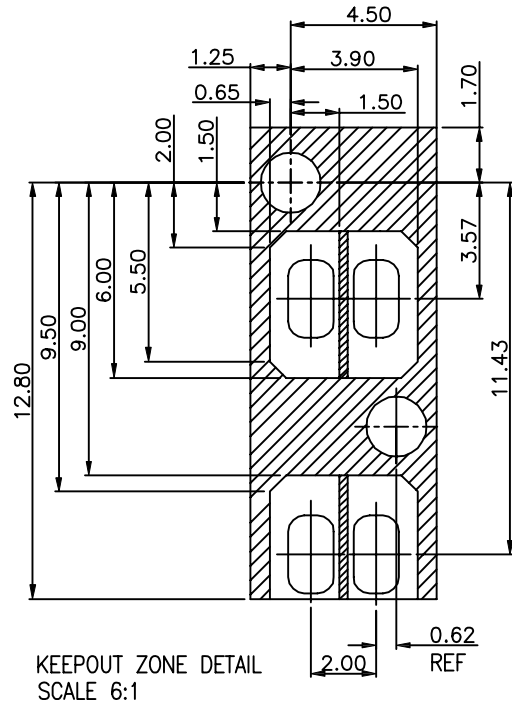
D

C

B

A

REVISION RECORD				
REV	ECD	DESCRIPTION	DRFT	CHKD



DETACHED LISTS	MM (INCH)	DFTD JERRY	DATE 03/15/08	Xmultiple Technologies Inc.			
	TOLERANCES EXCEPT AS NOTED	CHKD	DATE				
	MM	WFO	DATE	TITLE SFP CAGE 2X4 PORT WITH LIGHT PIPE			
	.0 ± 0.20	APPVL	DATE				
.00 ± 0.15	MATERIAL :	QT'Y :	DRAWING NO. SFP-024D		SIZE A3	REV 0	
.000 ± 0.075	FINISH:	SCALE :	/PART NO. SEE NOTE		DO NOT SCALE DRAWING	SHEET X	OF Y
ANGLES ±	THIRD ANGLE PROJECTION						