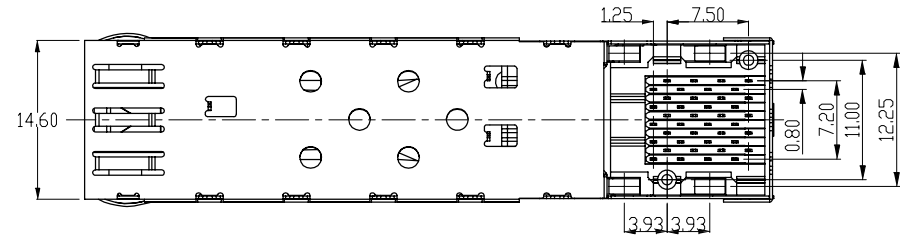
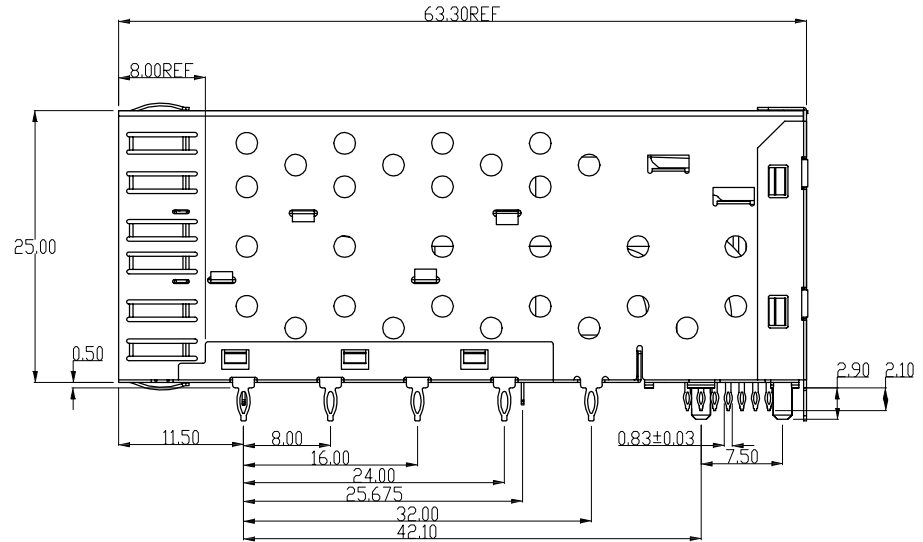
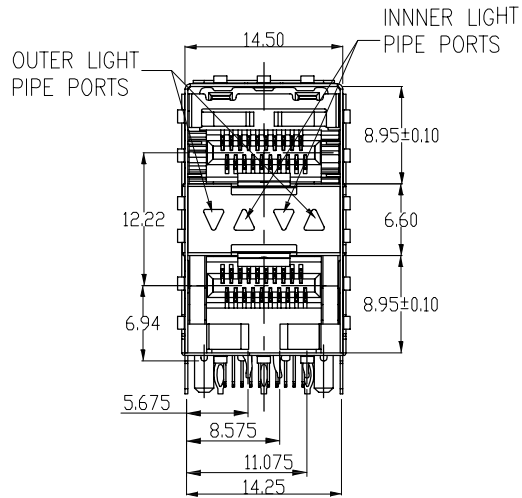


REVISION RECORD				
REV	ECD	DESCRIPTION	DRFT	CHKD



NOTE:
 MECHANICAL:
 CONNECTOR MATERIAL:
 1.HOUSING: HIGH TEMPERATURE THERMOPLASTIC
 GLASS FILD. UL94V-0.
 ; STANDARD COLOR :BLACK.
 2.CONTACT: PHOS-BRONZE THICKNESS=0.20mm.
 ELECTRICAL:
 DIFFERENTIAL IMPEDANCE: 100 Ohms.
 TEMPERATURE:
 OPERATION: -40°C~ +85°C
 STORAGE: -40°C~ +85°C
 ROHS COMPLIANT
 PART NUMBER: XSFP021L

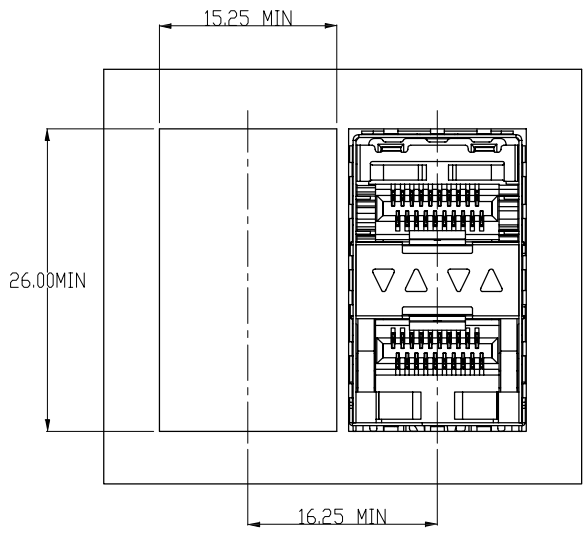
Qty Per:	TRAY	CARTON		
	45	450		
PART NUMBER	STATEMENT			
No.	DESCRIPTION	Q'ty	MATERIAL	PLATING
01	SFP CAGE (Non-Logo)	1	COPPER ALLOY	NICKEL
02	CONNECTOR	1		GOLD

DIM (INCH)		DFTD JERRY	DATE 09/18/06
TOLERANCES EXCEPT AS NOTED		CHKD ANDY	DATE 09/19/06
		MFO	DATE
MM	±	APPVL ALANN	DATE 09/20/06
.0 ± 0.20	±		
.00 ± 0.15	±		
.000 ± 0.075	±		
ANGLES ±	QTY :		
THIRD ANGLE PROJECTION		FINISH:	
		SCALE :	

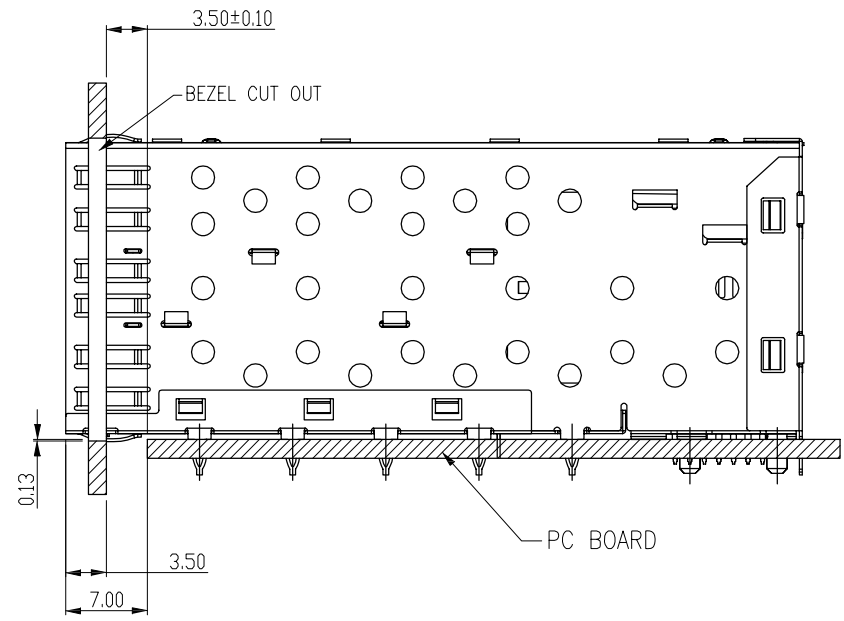
Xmultiple Technologies Inc.			
TITLE			
SFP CAGE 2X1 PORT WITH LIGHT PIPE			
DRAWING NO. SFP-021A			SIZE
/PART NO. SEE NOTE			A3
DO NOT SCALE DRAWING			REV
SHEET X			OF Y

8 | 7 | 6 | 5 | 4 | 3 | 2 | 1

REVISION RECORD				
REV	ECO	DESCRIPTION	DRFT	CHKD



BEZEL CUT-OUT CENTER SPACING DETAIL
BEZEL THICKNESS:0.8-2.6



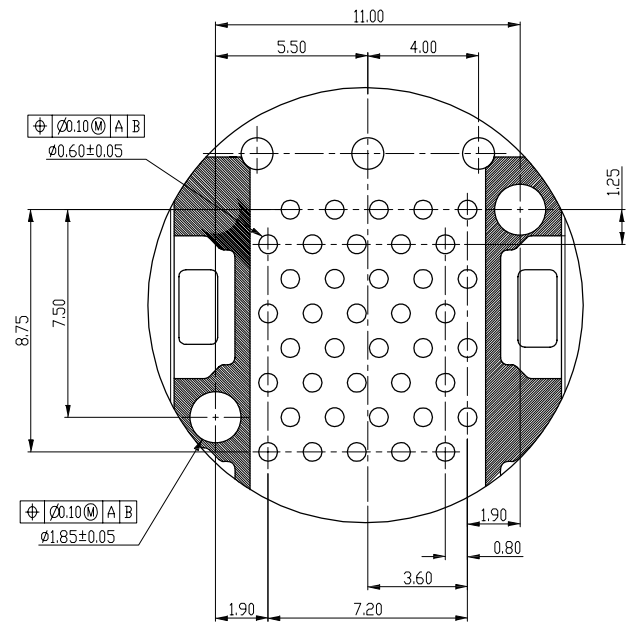
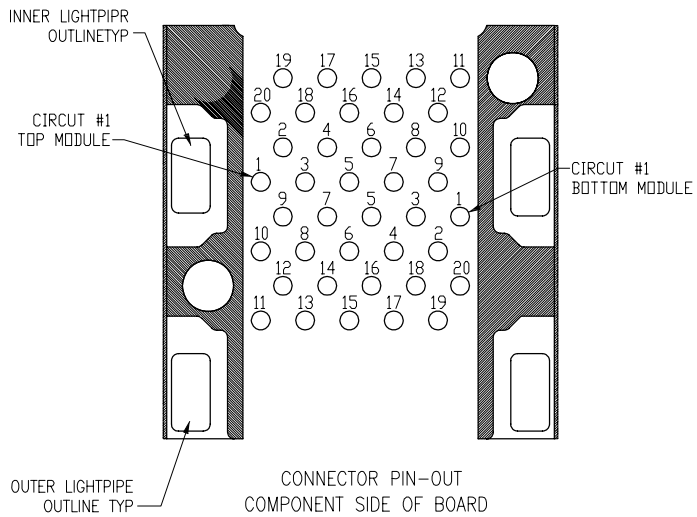
DETACHED LISTS	MM CINCH	DFTD JERRY	DATE 09/18/06
	TOLERANCES EXCEPT AS NOTED	CHKD ANDY	DATE 09/19/06
	MM	MFD	DATE
	.0 ± 0.20 ±	APPV LALANN	DATE 09/20/06
	.00 ± 0.15 ±	MATERIAL :	
.000 ± 0.075 ±	QT'Y :		
ANGLES ±	FINISH:		
THIRD ANGLE PROJECTION	SCALE :		

Xmultiple Technologies Inc.			
TITLE			
SFP CAGE 2X1 PORT WITH LIGHT PIPE			
DRAWING NO. SFP-021A		SIZE	REV
/PART NO. SEE NOTE		A3	0
DO NOT SCALE DRAWING		SHEET X	OF Y

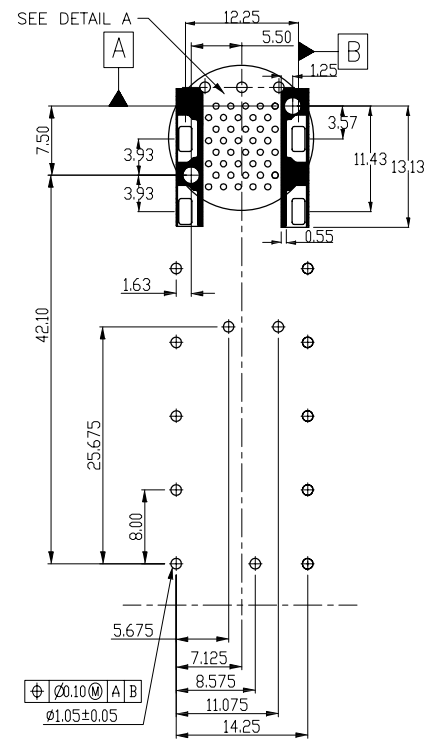
8 | 7 | 6 | 5 | 4 | 3 | 2 | 1

H
G
F
E
D
C
B
A

REVISION RECORD				
REV	ECD	DESCRIPTION	DRFT	CHKD



DETAIL A
SCALE 6:1



DETACHED LISTS	MM (INCH)		DFTD JERRY	DATE 09/18/06
	TOLERANCES EXCEPT AS NOTED		CHKD ANDY	DATE 09/19/06
	MM	±	MFD	DATE
	.0 ± 0.20	±	APPLV LANN	DATE 09/20/06
	.00 ± 0.15	±	MATERIAL :	
	.000 ± 0.075	±	QT'Y :	
ANGLES ±		FINISH:		
 THIRD ANGLE PROJECTION		SCALE :		

Xmultiple Technologies Inc.			
TITLE			
SFP CAGE 2X1 PORT WITH LIGHT PIPE			
DRAWING NO. SFP-021A		SIZE	REV
/PART NO. SEE NOTE		A3	0
DO NOT SCALE DRAWING		SHEET X	OF Y