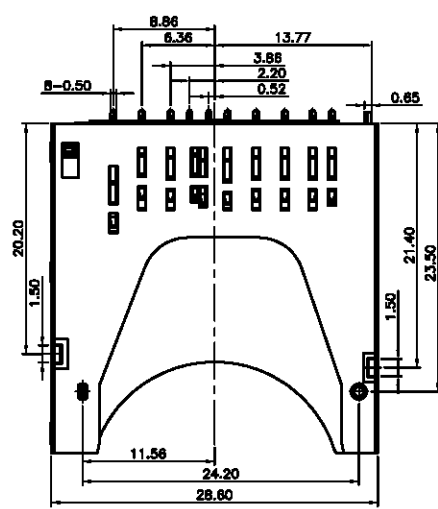
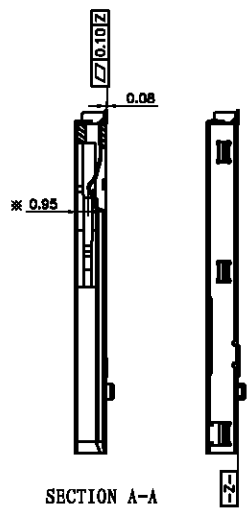
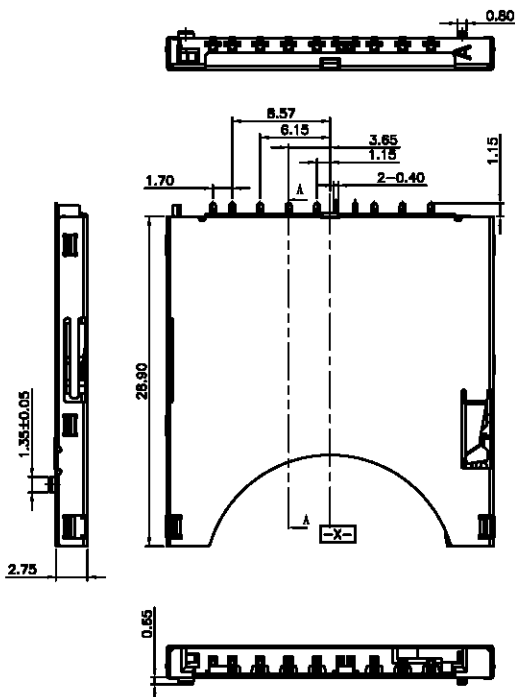


ACAD GENERATED DRAWING. DON'T CHANGE BY HAND

REV.	DATE	MODIFICATION	APPROVER
B	11.2.22	增加产品特殊特性标识, 详见'◎'处	HYQ
C	11.5.9	增加产品电镀规格, 详见'◎'处	HYQ

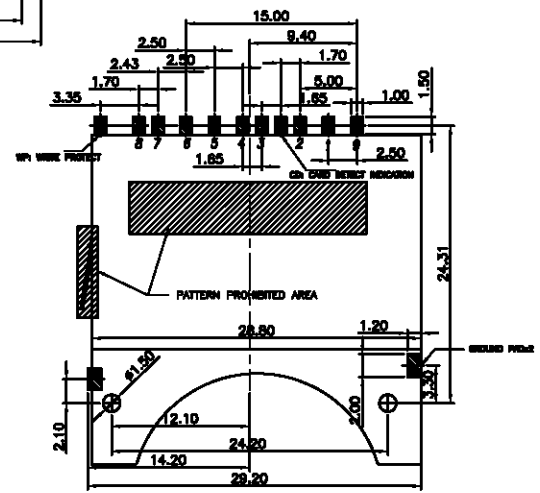
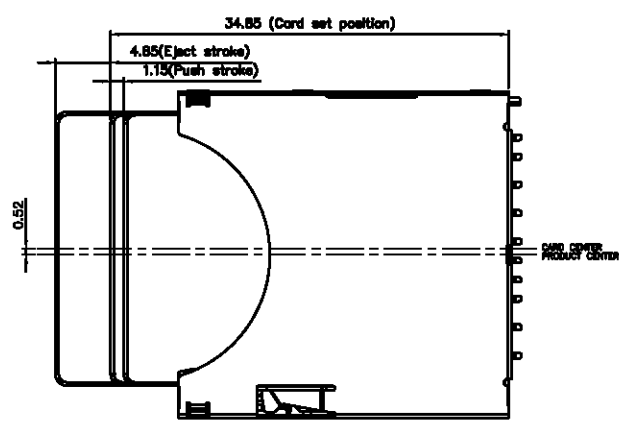
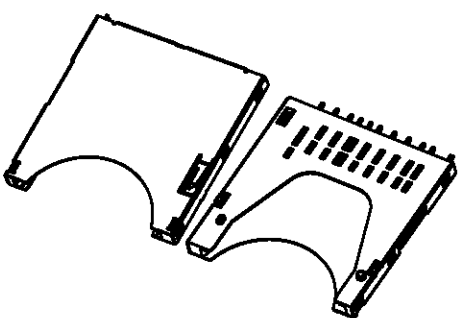


SPECIFICATION

1. Material:
 Insulator: LCP, rated UL94V-0, color: black.
 Contacts: Phosphor Bronze, Tin 180u" at Solder Tail, Selected Gold on Contact Area Plating.
 Ground: Phosphor Bronze, Tin 180u".
 Shell: Stainless. Pickling

2. Electrical Characteristics:
 Operating voltage : 100V AC(rms)/DC.
 Current rating : 0.5 A.
 Operating Temperature: -25°C~+90°C.
 Insulation resistance: 1000M ohms min. at 250VDC
 Dielectric withstanding voltage: 500 VAC/1minute.
 Contact resistance: 100m ohms max.
 Mating cycle: 10000 cycles at the speed rate of 400-600 cycles/h; Without distortion of plastic and serious wear and tear in terminal, No signal break.

3. Product special future symbol: "※".



Pin No.	SD	MMC
P1	MMC-DAT3 SD-CD/DAT3	1P 1P
P2	MMC-CMD SD-CMD	2P 2P
P3	MMC-VSS1 SD-VSS1	3P 3P
P4	MMC-VDD SD-VDD	4P 4P
P5	MMC-CLK SD-CLK	5P 5P
P6	MMC-VSS2 SD-VSS2	6P 6P
P7	MMC-DAT0 SD-DAT0	7P 7P
P8	SD-DAT1	8P
P9	SD-DAT2	9P

CIRCUIT:		WP	GROUND	WP	GROUND	WP	GROUND
WP	GROUND	○	○	○	○	○	○
CD	#3	○	○	○	○	○	○
WITHOUT CARD				CARD INSERTED		WRITE PROTECT : LOCK	
				CARD INSERTED		WRITE PROTECT : UNLOCK	

GENERAL TOLERANCE	UNITS	mm	NAME
SELECT	✓		SD PUSH PUSH conn.
TOL	1	2	3
ON			
X.JXX	±0.10±0.05±0.10		
X.XX	±0.10±0.13±0.25		
X.X	±0.20±0.25±0.5		
X	±0.30±0.35±1.00		
ANGLE	±2°		
			MAT'L
			FINISH
			Q'TY
			PART NO. XSDC-SDXX-APX03-XX
			APPD: HYQ
			CHKD: Vicky
			DR: Aimee

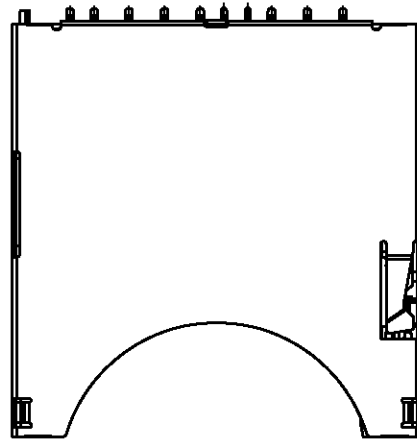
TITLE:		
SD PUSH PUSH conn.(post #135)		
DWG NO. : ATOMPDWG0015		
SCALE	SHEET	REV.
1/1	1/2	C

ACAD GENERATED DRAWING. DON'T CHANGE BY HAND

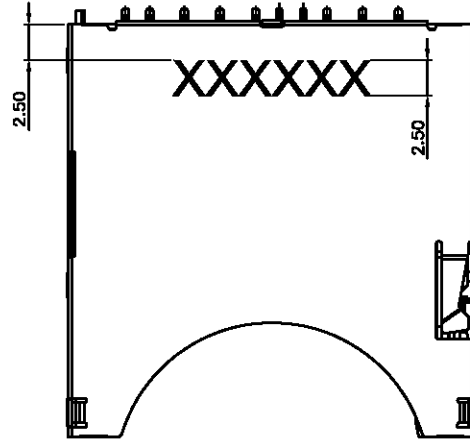
REV.	DATE
B	11.2.22
C	11.5.9

MODIFICATION
 增加产品特殊性标识, 详见"ⓐ"处
 增加产品电镀规格, 详见"ⓑ"处

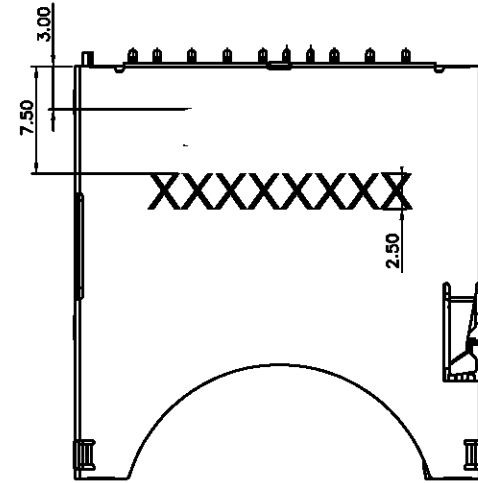
APPROVER
HYQ
HYQ



SD01-AP*03**



SD03-AP*03**



SD05-AP*03**

PART. NO. :
SD-AP*03****

- 01: 外壳无喷码
- 03: 外壳有喷码(年月日)
- 05: 外壳有喷码(ATOM+年月日)

- 1: PIPE PACKAGE
- 2: TAPE AND REEL PACKAGE
- 3: STRAY PACKAGE

03: 胶芯为黑色

- 23: 功能区镀金1U", 锡脚镀亮纯锡至少160U"
- 24: 功能区镀金3U", 锡脚镀亮纯锡至少160U"
- 25: 功能区镀金5U", 锡脚镀亮纯锡至少160U"
- 26: 功能区镀金10U", 锡脚镀亮纯锡至少160U"
- 29: 功能区镀金1U", 锡脚镀雾纯锡至少160U"
- 30: 功能区镀金3U", 锡脚镀雾纯锡至少160U"
- 31: 功能区镀金5U", 锡脚镀雾纯锡至少160U"
- 32: 功能区镀金10U", 锡脚镀雾纯锡至少160U"

NOTES: 1.XXXXXX: Year Month Day, e.g. May 4th, 2010, jet printing 100504
 2.XXXXXXXX: Year Month Day, e.g. May 4th, 2010, jet printing 20100504

TABLE:

TITLE	PART NO.	Difference
SD PUSH PUSH (A TYPE)(post #1.35)	SD01-AP*03**	无喷码
SD PUSH PUSH (C TYPE)(post #1.35)	SD03-AP*03**	有喷码, 只喷日期
SD PUSH PUSH (E TYPE)(post #1.35)	SD05-AP*03**	有喷码, 喷日期和公司mark

GENERAL TOLERANCE		UNITS mm	NAME	XMULTIPLE		
SELECT	<input checked="" type="checkbox"/>		SD PUSH PUSH conn.	TITLE:		
TOL	1	2	MAT'L	SD PUSH PUSH conn.(post #1.35)		
ON				PART NO.	XSDC- SDXX-APX03-XX	
X.XXX	±0.10	±0.08	FINISH	APPD:	HYQ	
X.XX	±0.10	±0.08		CHKD:	Vicky	
X.X	±0.20	±0.15	Q' TY	DR:	Aimee	
X	±0.30	±1.00		DWG NO.:		ATOMPDWG0015
ANGLE	±2°			SCALE		1/1
				SHEET		2/2
				REV.		B