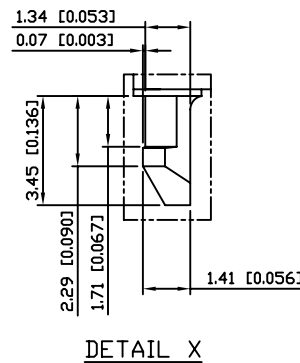
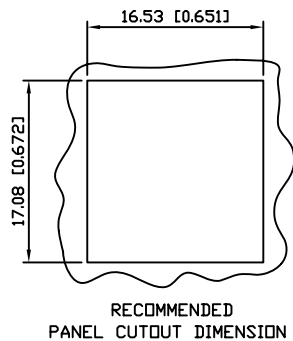


SUGGESTED PCB LAYOUT
 (TOP VIEW)
 DIMENSIONAL TOLERANCE: .XX ±0.08[0.003]



NOTES:

- MATERIALS:**
 HOUSING: PBT POLYESTER UL94V-0 MIXED GLASS FIBER, STANDARD COLOR-BLACK
 CONTACTS: 0.35mm THICK PHOS-BRONZE PLATED WITH 15µ" GOLD AND GOLD FLASH IN SOLDER AREA.
 SHIELD: 0.25mm THICK COPPER ALLOY, PLATED WITH NICKEL.
- OPERATING TEMPERATURE:** -40°C ~ +85°C
- CAVITY CONFORMS TO FCC RULES AND REGULATIONS PART 68, SUBPART F.**
- UNSPECIFIED TOLERANCE:** .XX ±0.13[0.005]
 .X ±0.25[0.01]

RoHS Compliant

X MULTIPLE XMULTIPLE ASIA 4F, No. 347, Yang Guang St., Neihu, Taipei, Taiwan 11475		CONNECTING THE INFORMATION AGE	
		XMULTIPLE USA 1420 Los Angeles Ave., Suite G, Simi Valley, CA 93065	
THIS DRAWING IS A CONTROLLED DOCUMENT.			G/NO: 9644
TITLE: RJ45 Connectors, W/O LED, 8P,8C, Shielded, Thru-Hole			DWG NO: XRJV-S-01-8-8-5-9Q1
PART NO: XRJV-S-01-8-8-5-9Q1			DRAWN: TOM
			CHKD: JEFF
UNIT mm[inch]	SHEET 1 of 1	REV 01	DATE: Mar.31,08