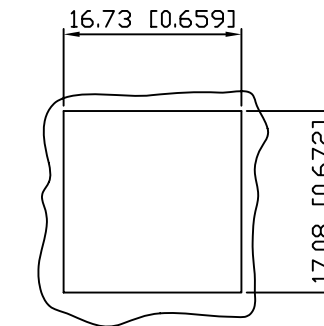
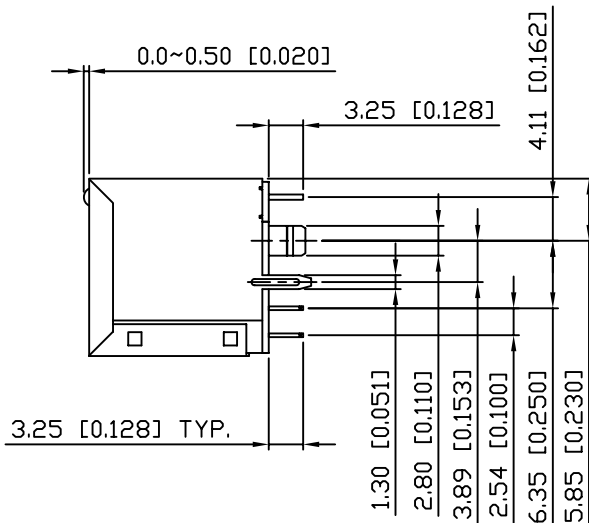
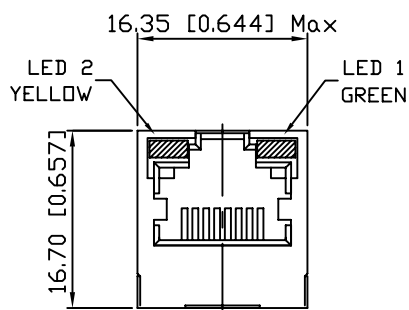


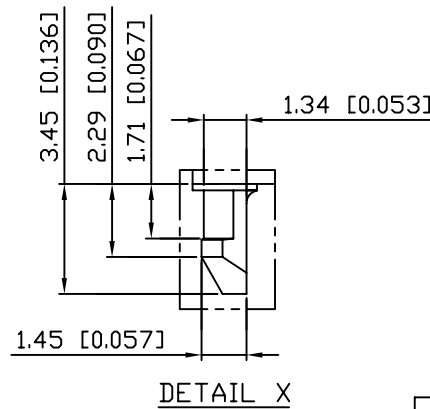
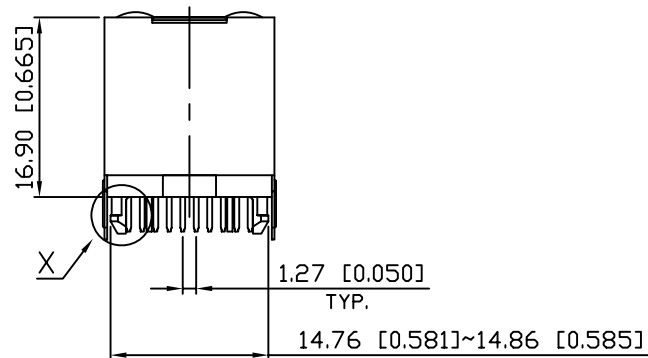
1. MECHANICAL DIMENSIONS :



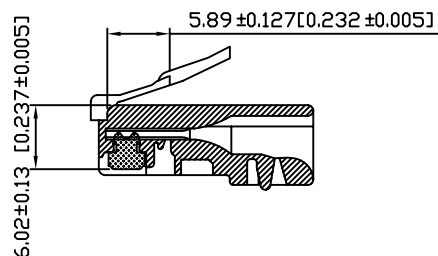
RECOMMENDED
PANEL CUTOUT DIMENSION

NOTES:

1. MATERIALS:
HOUSING: PBT POLYESTER UL94V-0
MIXED 30% GLASS FIBER.
STANDARD COLOR-BLACK.
CONTACTS: 0.35mm THICK PHOS-BRONZE PLATED
WITH 15u" GOLD AND GOLD FLASH
IN SOLDER AREA.
SHIELD: 0.25mm THICK COPPER ALLOY,
PLATED WITH NICKEL.
2. OPERATING TEMPERATURE : 0°C~70°C
3. CAVITY CONFORMS TO FCC RULES AND REGULATIONS
PART 68, SUBPART F.
4. UNSPECIFIED TOLERANCE: .XX ±0.25[0.010]
.X ±0.30[0.012]



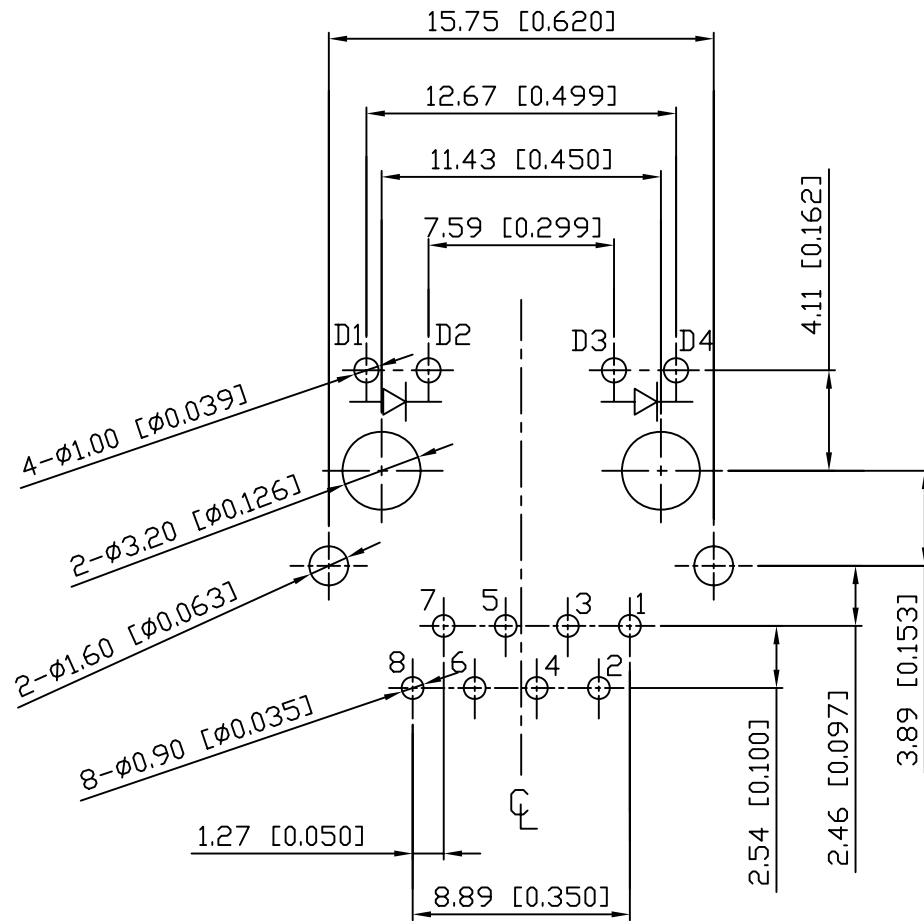
RECOMMENED PLUG DIMENSION:



RoHS Compliant

X MULTIPLE		CONNECTING THE INFORMATION AGE	
XMULTIPLE ASIA 4F, No. 347, Yang Guang St., Neihu, Taipei, Taiwan 11475		XMULTIPLE USA 1420 Los Angeles Ave., Suite G, Simi Valley, CA 93065	
THIS DRAWING IS A CONTROLLED DOCUMENT.			G/NO:
TITLE: RJ45 Jack, Vertical Mount, W/LED, 8P, 8C, Shielded, Thru Hole, 10/100 Mbps LAN Magnetics			DWG NO: XRJV-01V-1-D22-180
PART NO: XRJV-01V-1-D22-180			DRAWN: TOM
			CHKD: JEFF
			DATE: Dec.17,07
UNIT mm [Inch]	SHEET 1 of 3	REV A	

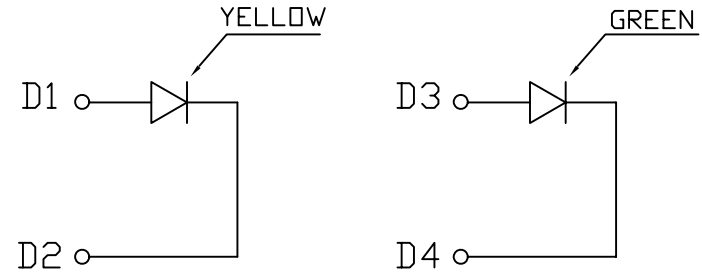
2. PCB LAYOUT :



SUGGESTED PCB LAYOUT
 (TOP VIEW)

DIMENSIONAL TOLERANCE: .XX ±0.08[0.003]

3. LED CONFIGURATION :



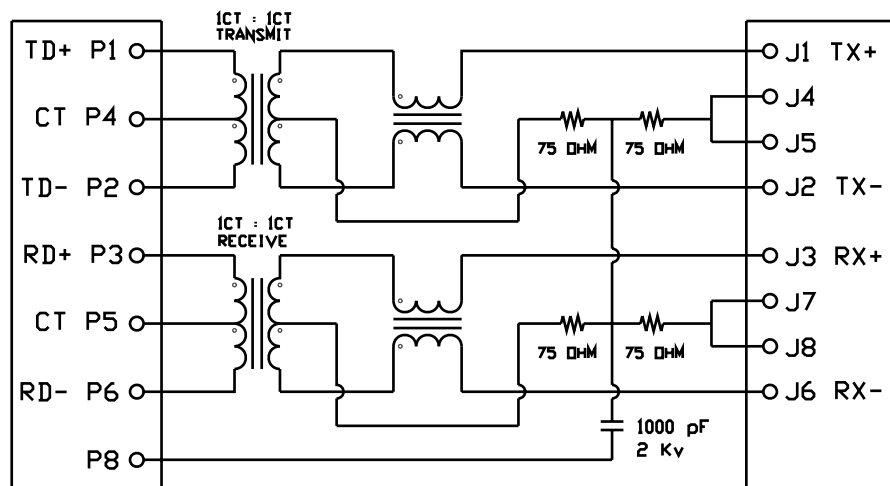
Color	Lens Color	VF(V) @20mA		Iv(mcd) @10mA		Viewing angle 2θ 1/2	If (mA)	Peak wave Length λP(nm)
		Min	Max	Min	Typ			
Yellow	Yellow Diffused	1.7	2.8	3.0	6.0	116	20	585
Green	Green Diffused	1.7	2.8	3.5	6.0	116	20	568

RoHS Compliant

			CONNECTING THE INFORMATION AGE		
THIS DRAWING IS A CONTROLLED DOCUMENT.					
TITLE: RJ45 Jack, Vertical Mount, w/LED, 8P, 8C, Shielded, Thru Hole, 10/100 Mbps LAN Magnetics				G/NO:	
PART NO: XRJV-01V-1-D22-180				DWG NO: XRJV-01V-1-D22-180	
				DRAWN: TOM	
UNIT: mm[Inch]				SHEET: 2 of 3	
DATE: Dec.17,07				REV: A	
CHKD: JEFF				DATE: Dec.17,07	

CONNECTOR SOLDER SIDE

RJ45 CONTACT SIDE



TEST NOTES:(25±5°C)

- 1.TR:(100KHz,0.1V);
PINS:(P1-P2):(J1-J2)=1:1±3%
PINS:(P3-P6):(J3-J6)=1:1±3%
- 2.LX:(100KHz,100mV,8mA, DC Bias)
PINS: (P1,P2),(P3,P6)=350uH MINIMUM
- 3.DCR:
PINS:(J1-J2),(J3-J6)= 1.2 OHMS MAXIMUM
- 4.HIPOT:
PINS(P1,P4,P2)TO(J1,J2)=1500VAC FOR 60 SECONDS
PINS(P3,P5,P6)TO(J3,J6)=1500VAC FOR 60 SECONDS
- 5.INSERTION LOSS:
-1.0dB MAXIMUM AT 0.3MHz TO 100MHz;
- 6.RETURN LOSS:
-20dB MINIMUM AT 1MHz TO 30MHz;
-15dB MINIMUM AT 30MHz TO 60MHz
-10dB MINIMUM AT 60MHz TO 80MHz
- 7.CROSS TALK:
-30dB MINIMUM AT 1MHz TO 100MHz
- 8.COMMON TO COMMON MODE REJECTION:
-30dB MINIMUM AT 1MHz TO 100MHz

XRJV-01V-1-D22-180

PRODUCT SERIES
V : VERTICAL MOUNT

NUMBER OF PORTS
MECHANICAL TYPE
01V : XRJV, 1 PORT

LED COLOR OPTION

PROTOCOL TYPE
D : 10/100 Mbps, 4 CORE

CIRCUIT TYPE

SPECIAL CODE
0 : STANDARD

SHIELDED TYPE
8 : NON-EMI FINGER

LED POLARITY
1 : +-, +-

oHS Compliant

RJ45 Jack, Vertical Mount, w/LED, 8P, 8C,
Shielded, Thru Hole, 10/100 Mbps LAN Magnetics

XRJV-01V-1-D22-180

XRJV-01V-1-D22-180

TOM

JEFF

A

Dec.17.07