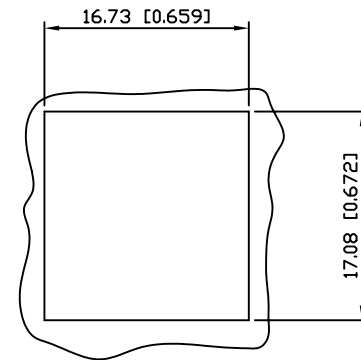
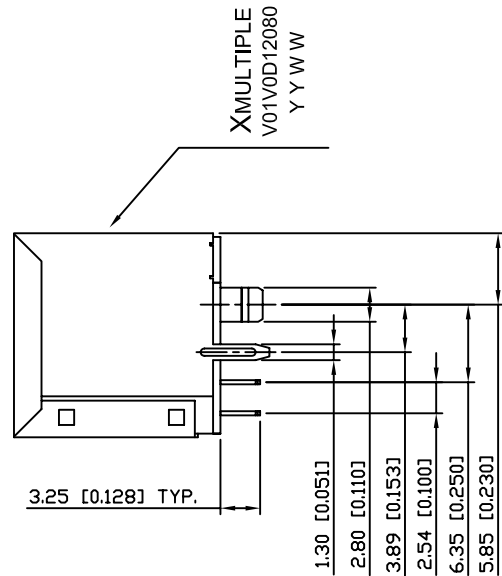
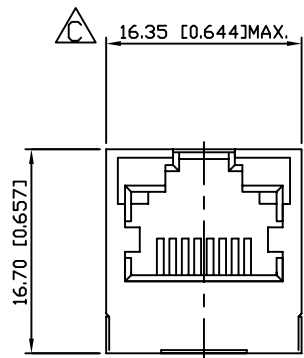
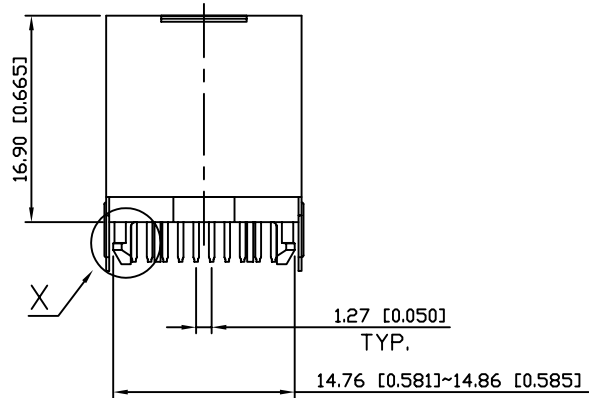


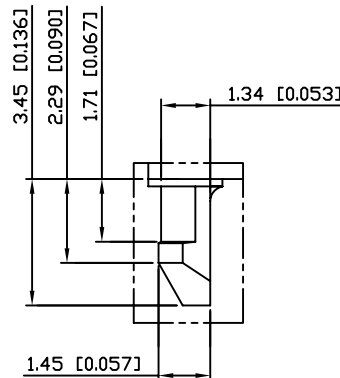
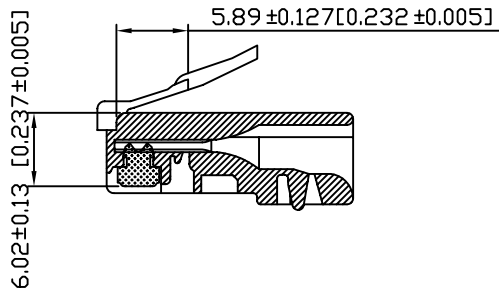
# 1. MECHANICAL DIMENSIONS :



RECOMMENDED  
PANEL CUTOUT DIMENSION



## RECOMMENDED PLUG DIMENSION:



DETAIL X

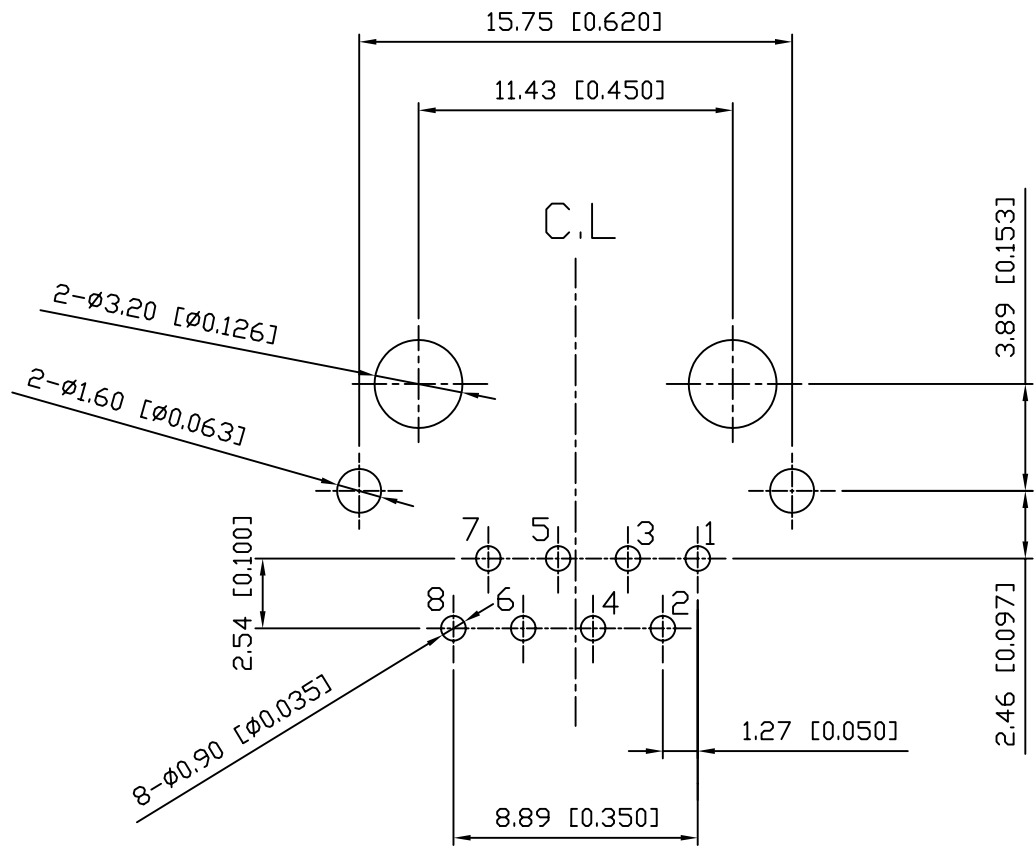
### NOTES:

- MATERIALS:  
HOUSING-PBT POLYESTER UL94V-0  
MIXED 30% GLASS FIBER.  
STANDARD COLOR-BLACK.  
CONTACTS-0.35mm THICK PHOS-BRONZE PLATED  
WITH 30u" GOLD AND TIN IN SOLDER AREA.  
SHIELD-0.25mm THICK COPPER ALLOY,  
PLATED WITH NICKEL.
- OPERATING TEMPERATURE : 0°C~70°C
- CAVITY CONFORMS TO FCC RULES AND REGULATIONS  
PART 68,SUBPART F.
- UNSPECIFIED TOLERANCE: .XX ±0.25[0.010]  
.X ±0.30[0.012]

# RoHS Compliant

<b>X MULTIPLE</b>		CONNECTING THE INFORMATION AGE	
XMULTIPLE ASIA 4F, No. 347, Yang Guang St., Neihu, Taipei, Taiwan 11475		XMULTIPLE USA 1420 Los Angeles Ave., Suite G, Simi Valley, CA 93065	
THIS DRAWING IS A CONTROLLED DOCUMENT.			G/NO: DWG NO: XRJV-01V-0-D12-080
TITLE: RJ45 Jack, Vertical Mount, W/D LED, 8P, 8C, Shielded/Thru Hole/10/100 Mbps LAN Magnetics			DRAWN: IVAN
PART NO: XRJV-01V-0-D12-080			CHKD: JEFF
		UNIT mm [Inch]	SHEET 1 of 3
		REV C	DATE: May.11.07

## 2. PCB LAYOUT :



SUGGESTED PCB LAYOUT  
(TOP VIEW)  
DIMENSIONAL TOLERANCE: .XX ±0.08[0.003]

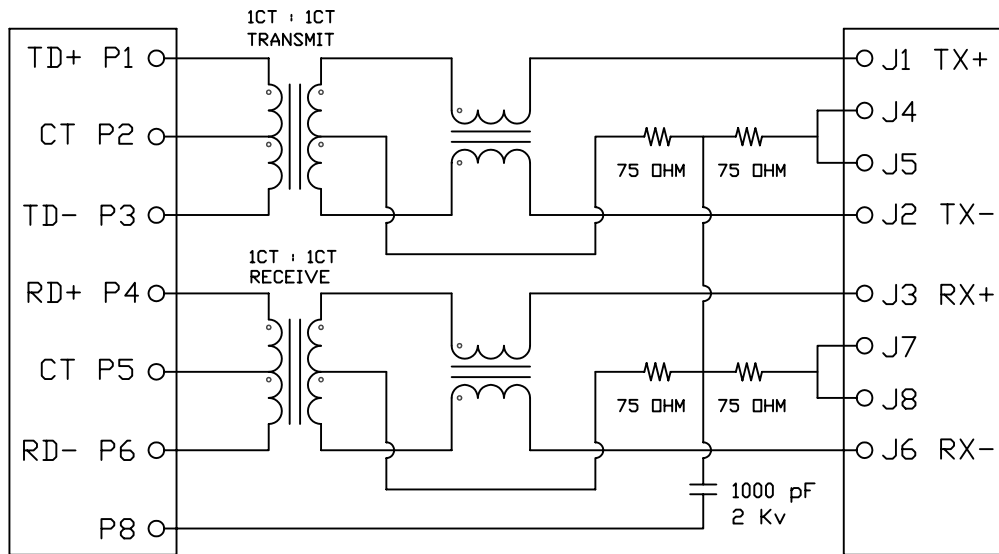
RoHS Compliant

		CONNECTING THE INFORMATION AGE		
				XMULTIPLE ASIA 4F, No. 347, Yang Guang St., Neihu, Taipei, Taiwan 11475
THIS DRAWING IS A CONTROLLED DOCUMENT.				DWG NO: XRJV-01V-0-D12-080
TITLE: RJ45 Jack, Vertical Mount, W/O LED, 8P, 8C, Shielded/Thru Hole/10/100 Mbps LAN Magnetics				DRAWN: IVAN
PART NO: XRJV-01V-0-D12-080				CHKD: JEFF
		UNIT mm[Inch]	SHEET 2 of 3	REV C
DATE: May.11.07				

### 3. SCHEMATIC :

CONNECTOR SOLDER SIDE

RJ45 CONTACT SIDE



### 4. ELECTRICAL CHARACTERISTICS :

TEST NOTES:(25±5°C)

- 1.TR:(100KHz,0.1V);  
PINS:(P1-P3):(J1-J2)=1:1±3%  
PINS:(P4-P6):(J3-J6)=1:1±3%
- 2.LX:(100KHz,100mV,8mA, DC Bias)  
PINS: (P1,P3),(P4,P6)=350uH MINIMUM
- 3.DCR:  
PINS:(J1-J2),(J3-J6)= 1.2 OHMS MAXIMUM
- 4.HIPOT:  
PINS(P1,P2,P3)TO(J1,J2)=1500VAC FOR 60 SECONDS  
PINS(P4,P5,P6)TO(J3,J6)=1500VAC FOR 60 SECONDS
- 5.INSERTION LOSS:  
-1.0dB MAXIMUM AT 0.3MHz TO 100MHz;
- 6.RETURN LOSS:  
-20dB MINIMUM AT 1MHz TO 30MHz;  
-15dB MINIMUM AT 30MHz TO 60MHz  
-10dB MINIMUM AT 60MHz TO 80MHz
- 7.CROSS TALK:  
-30dB MINIMUM AT 1MHz TO 100MHz
- 8.COMMON TO COMMON MODE REJECTION:  
-30dB MINIMUM AT 1MHz TO 100MHz

XRJV-01V-0-D12-080

PRODUCT SERIES  
V : VERTICAL MOUNT

NUMBER OF PORTS  
MECHANICAL TYPE  
01V : XRJV, 1 PORT

LED COLOR OPTION

PROTOCOL TYPE  
D : 10/100 Mbps, 4 CORE

SPECIAL CODE  
0 : STANDARD

SHIELDED TYPE  
8 : NON-EMI FINGER

LED POLARITY  
0 : W/O LED

CIRCUIT TYPE

# RoHS Compliant

<b>X MULTIPLE</b>		CONNECTING THE INFORMATION AGE	
X MULTIPLE ASIA 4F, No. 347, Yang Guang St., Neihu, Taipei, Taiwan 11475		X MULTIPLE USA 1420 Los Angeles Ave., Suite G, Simi Valley, CA 93065	
THIS DRAWING IS A CONTROLLED DOCUMENT.		G/NO:	
TITLE: RJ45 Jack, Vertical Mount, W/O LED, 8P, 8C, Shielded/Thru Hole/10/100 Mbps LAN Magnetics		DWG NO: XRJV-01V-0-D12-080	
PART NO: XRJV-01V-0-D12-080		DRAWN: IVAN	
		UNIT	SHEET
		mm[Inch]	3 of 3
		REV	DATE:
		C	May.11.07