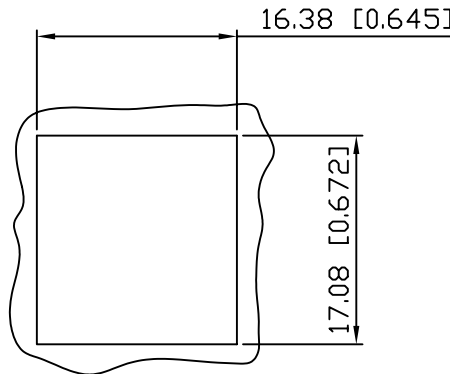
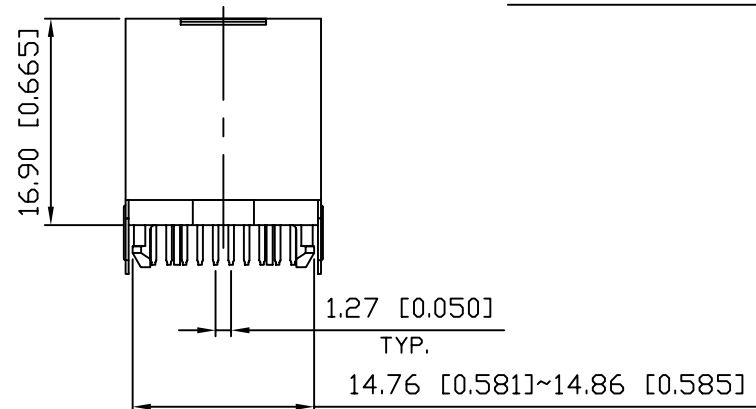
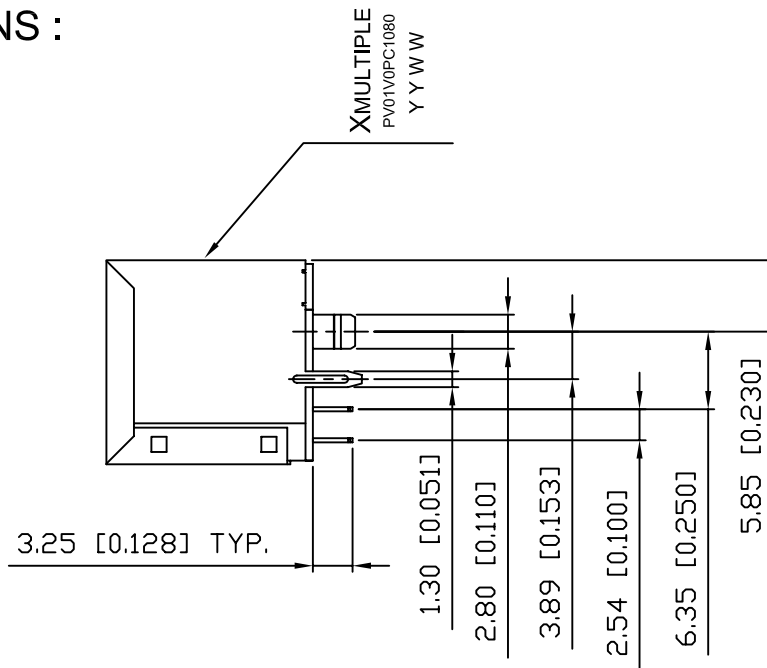
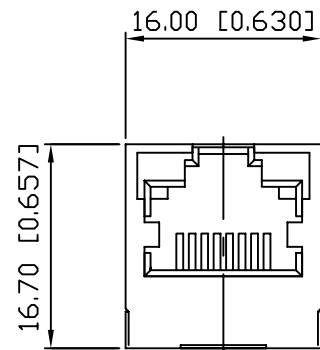
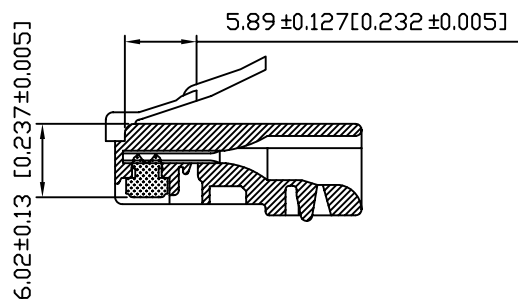


1. MECHANICAL DIMENSIONS :



RECOMMENED PLUG DIMENSION:



RECOMMENDED PANEL CUTOUT DIMENSION

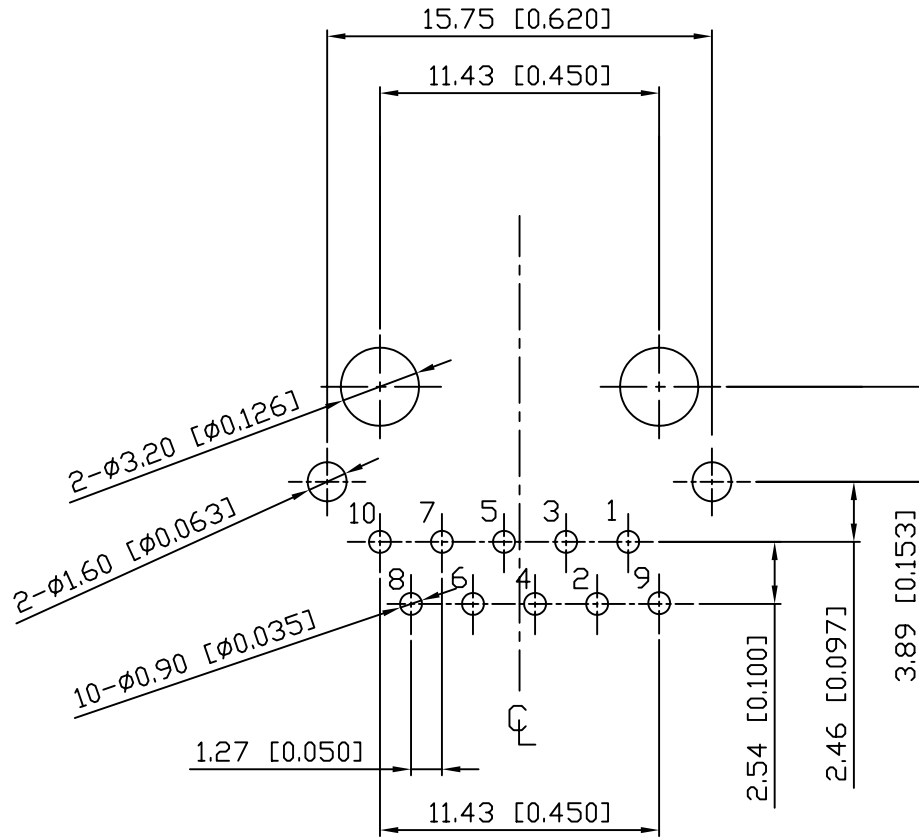
NOTES:

1. MATERIALS:
HOUSING-PBT POLYESTER UL94V-0
MIXED 30% GLASS FIBER.
STANDARD COLOR-BLACK.
CONTACTS-0.35mm THICK PHOS-BRONZE PLATED
WITH 15u" GOLD AND TIN OR GOLD FLASH
IN SOLDER AREA.
SHIELD-0.25mm THICK COPPER ALLOY,
PLATED WITH NICKEL.
2. OPERATING TEMPERATURE : 0°C~70°C
3. CAVITY CONFORMS TO FCC RULES AND REGULATIONS
PART 68,SUBPART F.
4. UNSPECIFIED TOLERANCE: .XX ±0.25[0.010]
.X ±0.30[0.012]

RoHS Compliant

X MULTIPLE		CONNECTING THE INFORMATION AGE	
X MULTIPLE ASIA 4F, No. 347, Yang Guang St., Neihu, Taipei, Taiwan 11475		X MULTIPLE USA 1420 Los Angeles Ave., Suite G, Simi Valley, CA 93065	
THIS DRAWING IS A CONTROLLED DOCUMENT.		G/NO:	9813
TITLE: RJ45 Jack, Vertical Mount, W/O LED, 8P, 10C, Shielded/Thru Hole/10/100 Mbps LAN Magnetics For PoE		DWG NO:	XPJV-01V-0-PC1-080-MAN
PART NO: XPJV-01V-0-PC1-080-MAN		DRAWN:	LEON
		CHKD:	TARA
		DATE:	Apr.17,08
UNIT mm[inch]	SHEET 1 of 3	REV 01	



2. PCB LAYOUT :



SUGGESTED PCB LAYOUT
(TOP VIEW)

DIMENSIONAL TOLERANCE: .XX ±0.08[0.003]

RoHS Compliant

		CONNECTING THE INFORMATION AGE	
		G/NO: 9813	
X MULTIPLE ASIA 4F, No. 347, Yang Guang St., Neihu, Taipei, Taiwan 11475		X MULTIPLE USA 1420 Los Angeles Ave., Suite G, Simi Valley, CA 93065	
THIS DRAWING IS A CONTROLLED DOCUMENT.			
TITLE: RJ45 Jack, Vertical Mount, W/O LED, 8P, 10C, Shielded/Thru Hole/10/100 Mbps LAN Magnetics For PoE		DWG NO: XPJV-01V-0-PC1-080-MAN	
PART NO: XPJV-01V-0-PC1-080-MAN		DRAWN: LEON	
		UNIT mm[inch]	SHEET 2 of 3
		REV 01	DATE: Apr.17,08

TEST NOTES:(25±5°C)

1.TR:(100KHz,0.1V);

PINS:(P6-P3):(J6-J3)=1:1±3%

PINS:(P2-P1):(J2-J1)=1:1±3%

2.LX:(100KHz,100mV,8mA, DC Bias)

PINS: (P6,P3),(P2,P1)=350uH MINIMUM

3.DCR:

PINS:(J6-J3),(J2-J1)= 1.2 OHMS MAXIMUM

PINS(P6,P7,P3)TO(J6,J3)=1500VAC FOR 60 SECONDS

PINS(P2,P4,P1)TO(J2,J1)=1500VAC FOR 60 SECONDS

5.INSERTION LOSS:

-1.0dB MAXIMUM AT 0.3MHz TO 100MHz;

6.RETURN LOSS:

-10dB MINIMUM AT 60MHz TO 80MHz

7.CROSS TALK:

-30dB MINIMUM AT 1MHz TO 100MHz

9.DC Current : 350 mA



0 : W/O LED

VC+

VC-

X MULTIPLE		CONNECTING THE INFORMATION AGE	
X MULTIPLE ASIA 4F. No. 347, Yang Guang St. Neihu, Taipei, Taiwan 11475		X MULTIPLE USA 1420 Los Angeles Ave., Suite G. San Valley, CA 93065	
		G/NO: 9813	
THIS DRAWING IS A CONTROLLED DOCUMENT.			
TITLE: RJ45 Jack, Vertical Mount, W/O LED, 8P, 10C, Shielded/Thru Hole/10/100 Mbps LAN Magnetics For PoE		DWG NO: XPJV-01V-0-PC1-080-MAN	
PART NO: XPJV-01V-0-PC1-080-MAN		DRAWN: LEON	
		CHKD: TARA	
		UNIT mm/inch 1	SHEET 3 of 3
		REV 01	DATE: Apr.17,08