

XRJS-S-01-8-8-1-9A1

PRODUCT SERIES
SMT TYPE

SHIELDED TYPE
S: SHIELDED

NO. OF PORTS

NO. OF POSITION

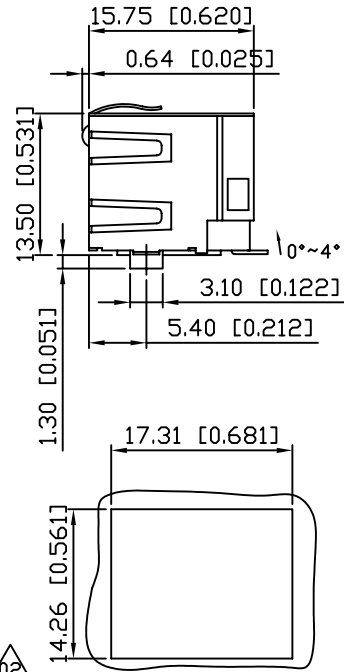
CONTACT GOLD PLATING OPTION

SERIAL NUMBER

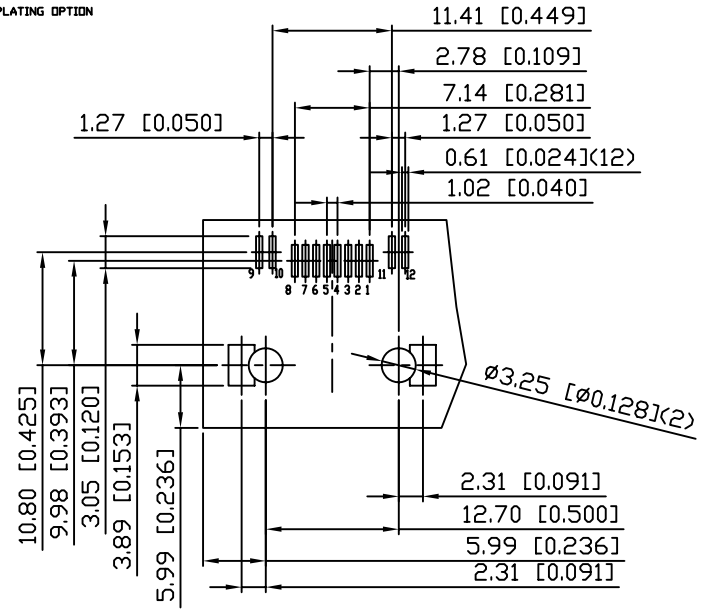
RUNNING CODE

LED COLOR OPTION

NO. OF CONTACT

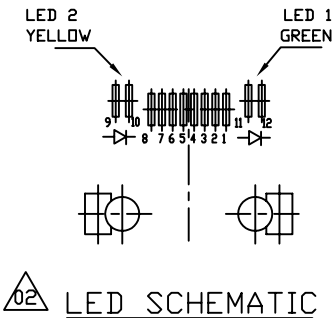


RECOMMENDED
PANEL CUTOUT DIMENSION


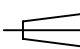


SUGGESTED PCB LAYOUT
(TOP VIEW)
DIMENSIONAL TOLERANCE: .XX ±0.08[0.003]

- NOTES:
- MATERIALS:
HOUSING-DSM STANYL TE250F6 (NYLON-46)
HEAT DEFLECTION TEMP.290°
BLACK COLOR,UL94V-0
CONTACTS-0.35mm THICK PHOS-BRONZE PLATED
WITH 15u" GOLD AND GOLD FLASH
IN SOLDER AREA.
SHIELD-0.25mm THICK COPPER ALLOY,
PLATED WITH NICKEL.
 - OPERATING TEMPERATURE: -40°C ~ +85°C
 - CAVITY CONFORMS TO FCC RULES AND REGULATIONS
PART 68,SUBPART F.
 - UNSPECIFIED TOLERANCE: .XX ±0.25[0.010]
.X ±0.30[0.012]



RoHS Compliant

X MULTIPLE			CONNECTING THE INFORMATION AGE	
X MULTIPLE ASIA 4F, No. 347,Yang Guang St., Neihu Chiu , Taipei , Taiwan 11475		X MULTIPLE USA 1420 Los Angeles Ave., Suite G, Simi Valley, CA 93065		G/NO:
THIS DRAWING IS A CONTROLLED DOCUMENT.				DWG NO:
TITLE: RJ45 Connectors, w/LED,8P,8C, Shielded, SMT TYPE				XRJS-S-01-8-8-1-9A1
PART NO: XRJS-S-01-8-8-1-9A1				DRAWN: LEON
 				CHKD: TARA
				DATE: May.06,08
UNIT mm[Inch]		SHEET 1 of 1	REV 02	