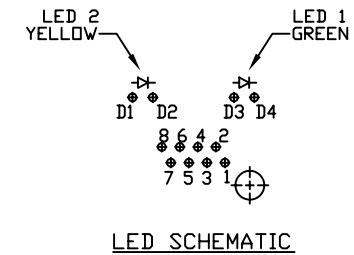
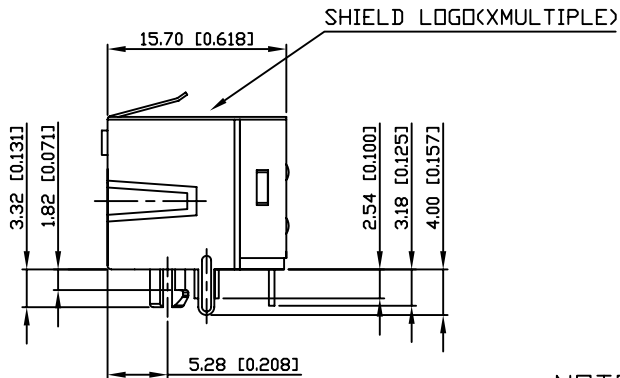
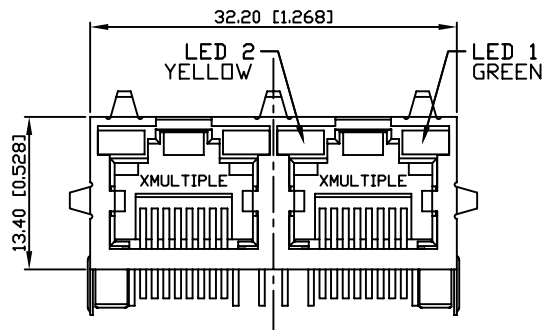


A

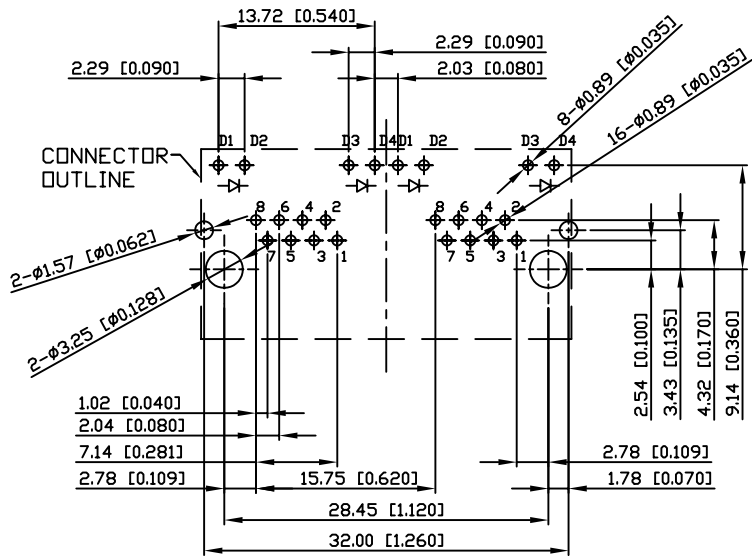


B

A

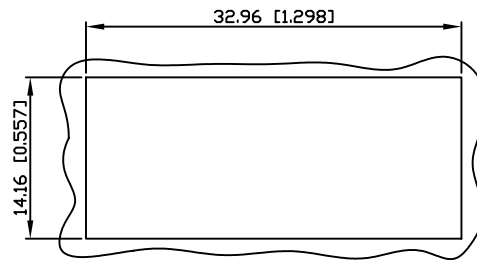
B

C

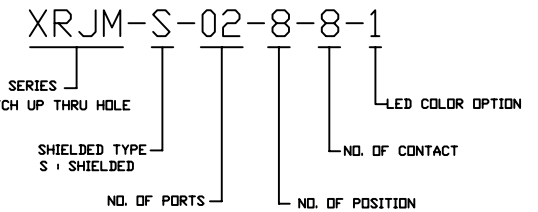


NOTES:

- MATERIALS:
HOUSING: HIGH TEMP. THERMOPLASTIC, PBT, UL 94V-0, BLACK.
CONTACTS: T=0.35 mm PHOSPHOR BORONZE, 50u" NICKEL UNDERPLATE ON ALL AREA, 100u" TIN ON TERMINATION END, 15u" GOLD ON CONTACT AREA.
SHIELD: T=0.25 mm COPPER ZINC ALLOY WITH NICKEL.
- OPERATING TEMPERATURE: -40°C ~ +85°C
- JACK CAVITY CONFORMS TO FCC RULES AND REGULATIONS PART 68, SUBPART F
- UNSPECIFIED TOLERANCE: .XX ±0.25[0.010]
.X ±0.30[0.012]



RECOMMENDED
△ PANEL CUTOUT DIMENSION



SUGGESTED PCB LAYOUT
(TOP VIEW)

△ DIMENSIONAL TOLERANCE: .XX ±0.08[0.003]

RoHS Compliant

F

X MULTIPLE		CONNECTING THE INFORMATION AGE	
XMULTIPLE ASIA 4F, No. 347, Yang Guang St., Neihu, Taipei, Taiwan 11475		XMULTIPLE USA 1420 Los Angeles Ave., Suite G, Simi Valley, CA 93065	
THIS DRAWING IS A CONTROLLED DOCUMENT.		G/NO:	
TITLE: RJ45 Connectors, w/LED, 8P,8C, Shielded, Thru-Hole		DWG NO: XRJM-S-02-8-8-1	
PART NO: XRJM-S-02-8-8-1		DRAWN: RUNES	
		UNIT	SHEET
		mm[inch]	1 of 1
		REV	DATE:
		D	Jan.23,07

F