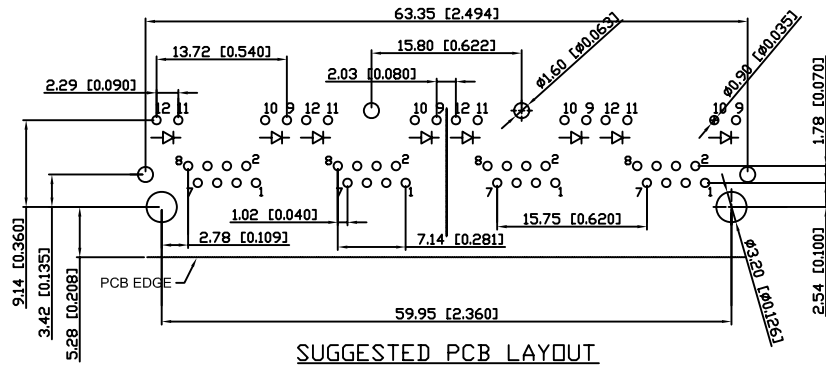
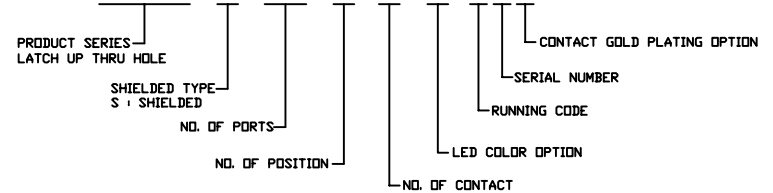


RECOMMENDED  
PANEL CUTOUT DIMENSION



SUGGESTED PCB LAYOUT  
TOP VIEW  
DIMENSIONAL TOLERANCE: .XX ±0.08[0.003]

XRJM-S-04-8-8-4-7G1



NOTES:

- MATERIALS:  
HOUSING: HIGH TEMP. THERMOPLASTIC, PBT, UL 94V-0, BLACK  
CONTACTS: T=0.35 mm PHOSPHOR BORNZE, 50µ" NICKEL UNDERPLATE  
ON ALL AREA, 100µ" TIN ON TERMINATION END,  
15µ" GOLD ON CONTACT AREA.  
SHIELD: BRASS , NICKEL PLATING
- OPERATING TEMPERATURE: -40°C ~ +85°C
- JACK CAVITY CONFORMS TO FCC RULES AND REGULATIONS PART 68,  
SUBPART F
- UNSPECIFIED TOLERANCE: .XX ±0.25[0.010]  
.X ±0.30[0.012]

RoHS Compliant

		CONNECTING THE INFORMATION AGE		
				XMULTIPLE ASIA 4F, No. 347, Yang Guang St., Neihu, Taipei, Taiwan 11475
THIS DRAWING IS A CONTROLLED DOCUMENT.				DWG NO: XRJM-S-04-8-8-4-7G1
TITLE: RJ45 Connectors, W/LED, 8P,8C, Shielded, Thru-Hole				DRAWN: TOM
PART NO: XRJM-S-04-8-8-4-7G1				CHKD: JEFF
		UNIT mm[Inch]	SHEET 1 of 1	REV 01
DATE: Jun,13,07				