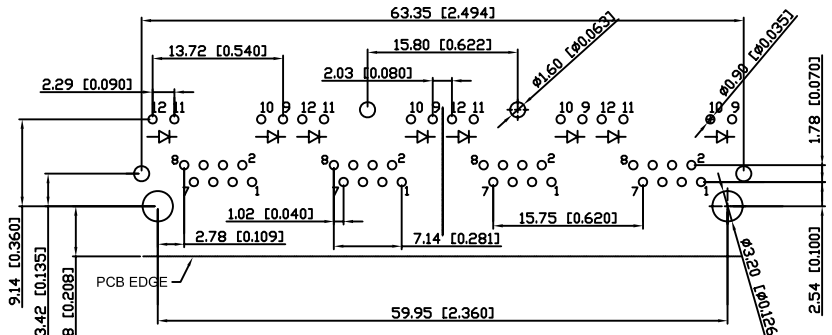
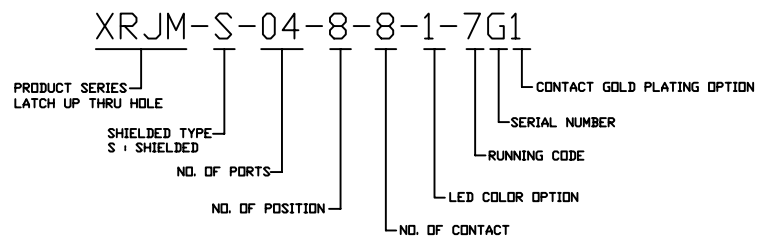


RECOMMENDED
PANEL CUTOUT DIMENSION



SUGGESTED PCB LAYOUT
TOP VIEW

DIMENSIONAL TOLERANCE: .XX ±0.08[0.003]



NOTES:

- MATERIALS:
HOUSING: HIGH TEMP. THERMOPLASTIC, PBT, UL 94V-0, BLACK
CONTACTS: T=0.35 mm PHOSPHOR BORNZE, 50u" NICKEL UNDERPLATE
ON ALL AREA, 100u" TIN ON TERMINATION END,
15u" GOLD ON CONTACT AREA.
SHIELD: BRASS, NICKEL PLATING
- OPERATING TEMPERATURE: -40°C ~ +85°C
- JACK CAVITY CONFORMS TO FCC RULES AND REGULATIONS PART 68, SUBPART F
- UNSPECIFIED TOLERANCE: .XX ±0.25[0.010]
.X ±0.30[0.012]

RoHS Compliant

X MULTIPLE			CONNECTING THE INFORMATION AGE	
XMULTIPLE ASIA 4F, No. 347, Yang Guang St., Neihu, Taipei, Taiwan 11475		XMULTIPLE USA 1420 Los Angeles Ave., Suite G, Simi Valley, CA 93065		G/NO:
THIS DRAWING IS A CONTROLLED DOCUMENT.				DWG NO: XRJM-S-04-8-8-1-7G1
TITLE: RJ45 Connectors, W/LED, 8P,8C, Shielded, Thru-Hole				DRAWN: TOM
PART NO: XRJM-S-04-8-8-1-7G1				CHKD: JEFF
		UNIT	SHEET	REV
		mm[Inch]	1 of 1	01
				DATE: Jun,20,07