

A

A

B

B

C

C

D

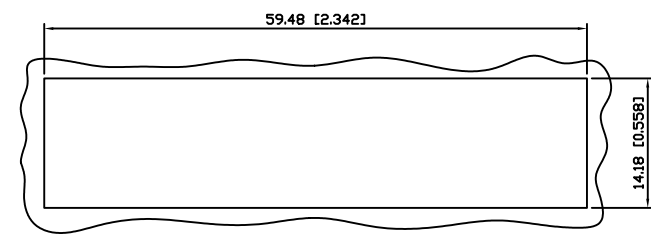
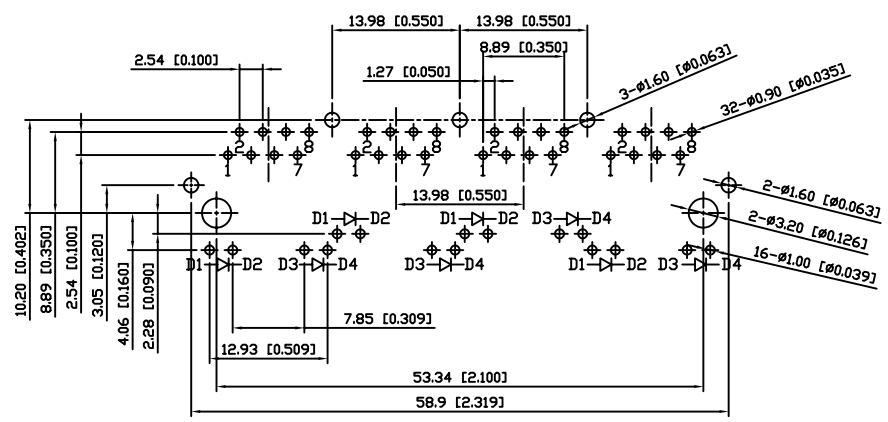
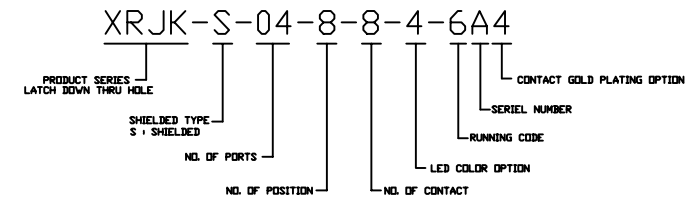
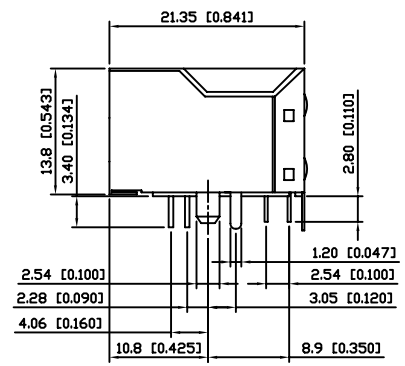
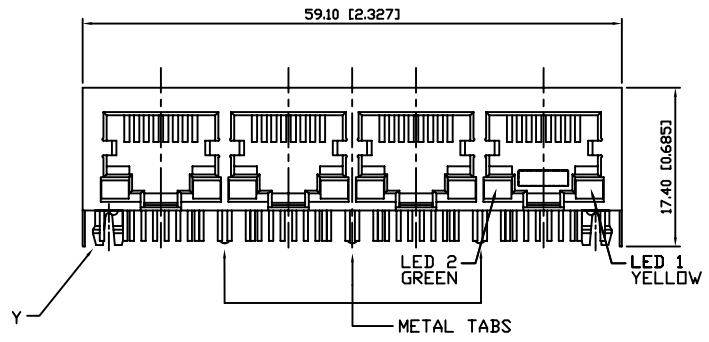
D

E

E

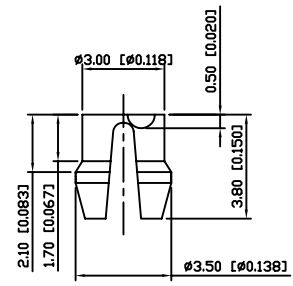
F

F



RECOMMENDED PANEL CUTOUT DIMENSION

SUGGESTED PCB LAYOUT
TOP VIEW
DIMENSIONAL TOLERANCE: .XX ±0.08[±0.003]



DETAIL Y

NOTES:

- MATERIALS:
HOUSING: PBT POLYESTER UL94V-0
MIXED GLASS FIBER.
STANDARD COLOR-BLACK.
CONTACTS: 0.35mm THICK PHOS-BRONZE PLATED
WITH 15µ" GOLD AND GOLD FLASH IN
SOLDER AREA.
SHIELD: 0.25mm THICK COPPER ALLOY,
PLATED WITH NICKEL.
- OPERATING TEMPERATURE: -40°C ~ +85°C
- CAVITY CONFORMS TO FCC RULES AND REGULATIONS
PART 68,SUBPART F.
- UNSPECIFIED TOLERANCE: .XX ±0.25[±0.010]
.X ±0.30[±0.012]

RoHS Compliant

X MULTIPLE			CONNECTING THE INFORMATION AGE	
MULTIPLE ASIA 4F, No. 347, Yang Guang St., Neihu, Taipei, Taiwan 11475		MULTIPLE USA 1420 Los Angeles Ave., Suite G, Simi Valley, CA 93065		G/NO: 9742
THIS DRAWING IS A CONTROLLED DOCUMENT.				DWG NO: XRJK-S-04-8-8-4-6A4
TITLE: RJ45 Connectors, With LED, 8P,8C, Shielded, Thru-Hole				DRAWN: RUNES
PART NO: XRJK-S-04-8-8-4-6A4				CHKD: JEFF
		UNIT: mm[Inch]	SHEET: 1 of 1	REV: 01
				DATE: Mar.01,07