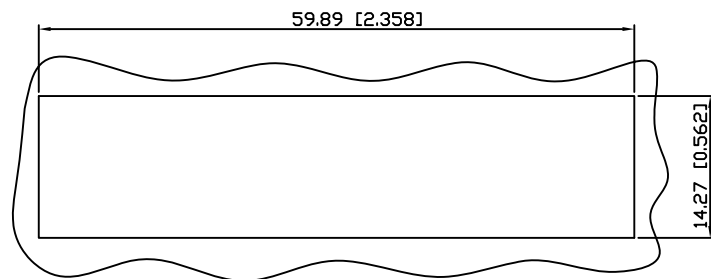
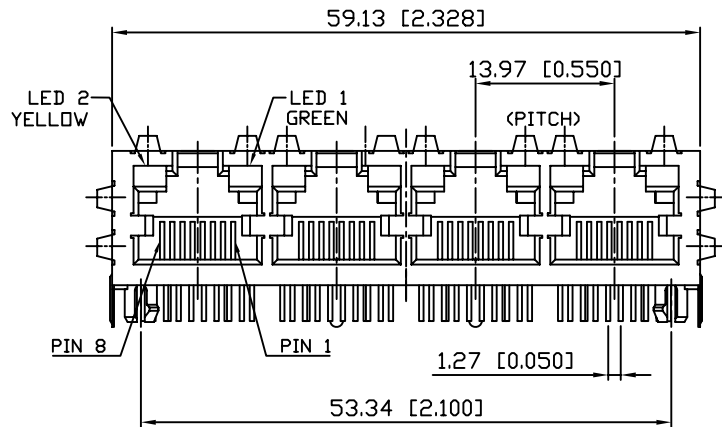
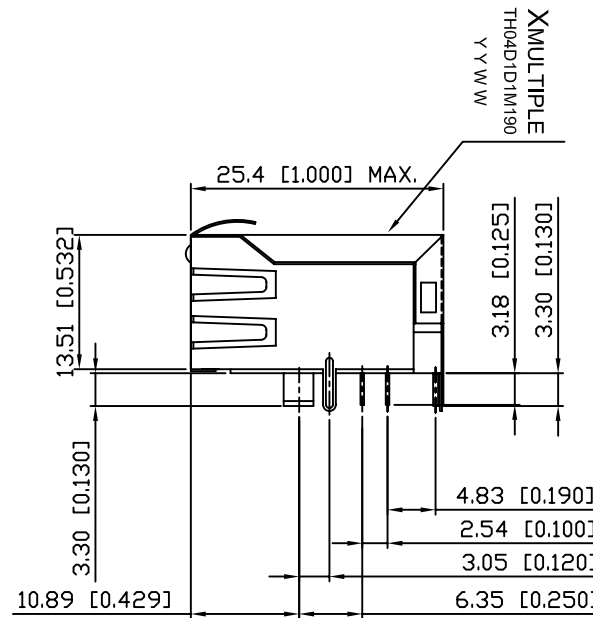
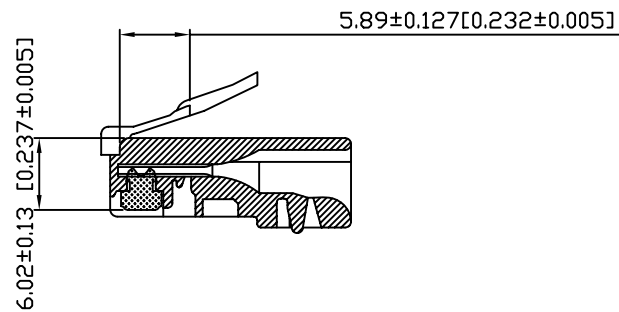


1. MECHANICAL DIMENSIONS :



RECOMMENDED
PANEL CUTOUT DIMENSION

RECOMMENED PLUG DIMENSION:



NOTES:

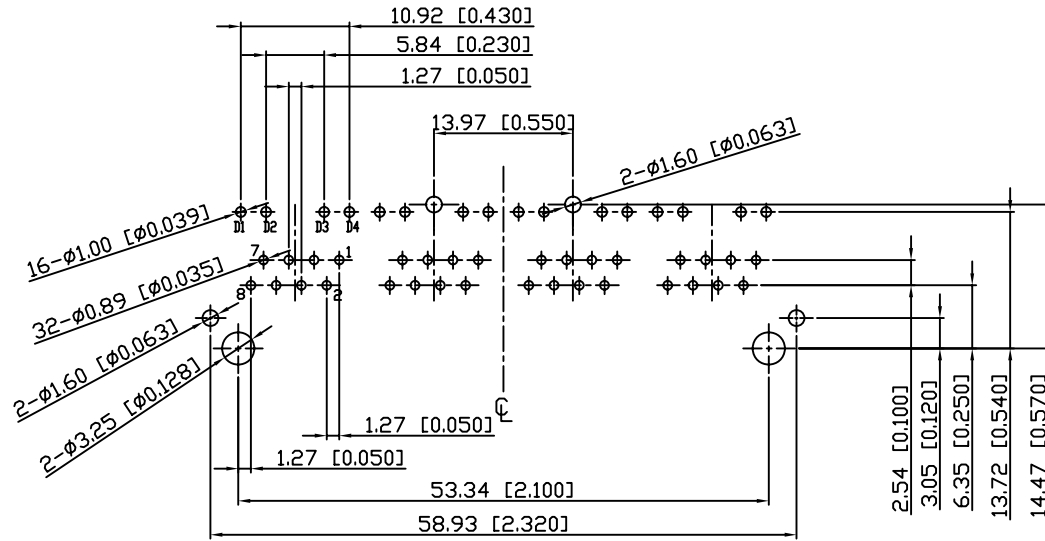
- MATERIAL:
HOUSING: NYLON POLYESTER UL94V-0
MIXED GLASS FIBER.
STANDARD COLOR-BLACK
CONTACTS: 0.35mm THICK PHOS-BRONZE PLATED
WITH 15u" GOLD AND GOLD FLASH
IN SOLDER AREA.
SHIELD: 0.20mm THICK COPPER ALLOY,
PLATED WITH NICKEL.
- OPERATING TEMPERATURE : 0°C~70°C
- CAVITY CONFORMS TO FCC RULES AND REGULATIONS
PART 68, SUBPART F.
- UNSPECIFIED TOLERANCE: .XX ±0.25 [0.010]
.X ±0.30 [0.012]

RoHS Compliant

X MULTIPLE		THE INFORMATION AGE	
XMULTIPLE ASIA 4F, No. 347, Yang Guang St., Neihu, Taipei, Taiwan 11475		XMULTIPLE USA 1420 Los Angeles Ave., Suite G, Simi Valley, CA 93065	
THIS DRAWING IS A CONTROLLED DOCUMENT.		G/NO: XTJH-04D-1-D1M-190	
TITLE: RJ45, w/LED, w/Filter 10/100 Mbps 8P,8C, Shielded, Thru-Hole, With TVS		DRAWN: TOM	
PART NO: XTJH-04D-1-D1M-190		CHKD: TARA	
		UNIT mm[inch] J	SHEET 1 of 3
		REV 01	DATE: Dec.18,08

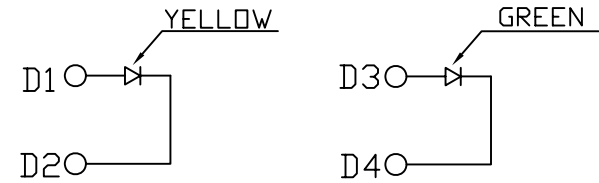
2. PCB LAYOUT :

3. LED CONFIGURTAION :



SUGGESTED PCB LAYOUT
 TOP VIEW

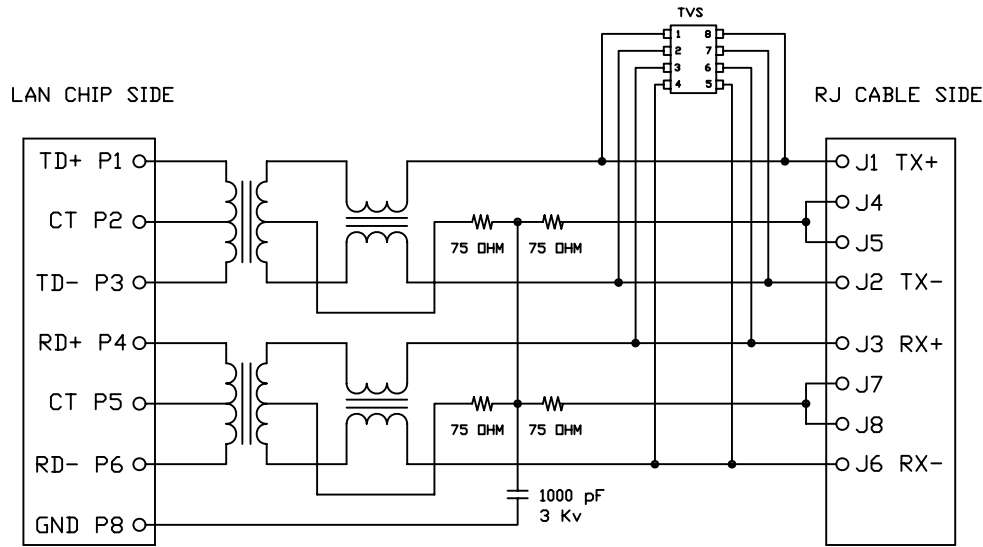
DIMENSIONAL TOLERANCE: .XX \pm 0.08[0.003]



RoHS Compliant

		THE INFORMATION AGE	
XMULTIPLE ASIA 4F, No. 347, Yang Guang St., Neihu, Taipei, Taiwan 11475		XMULTIPLE USA 1420 Los Angeles Ave., Suite G, Simi Valley, CA 93065	
THIS DRAWING IS A CONTROLLED DOCUMENT.		G/NO: XTJH-04D-1-D1M-190	
TITLE: RJ45, w/LED, w/Filter 10/100 Mbps 8P,8C, Shielded, Thru-Hole, With TVS		DRAWN: TOM	
PART NO: XTJH-04D-1-D1M-190		CHKD: TARA	
		UNIT mm[inch J]	SHEET 2 of 3
		REV 01	DATE: Dec.18,08

4. SCHEMATIC :



5. ELECTRICAL CHARACTERISTICS

TEST NOTES:(25±5°C)

1.TR:(100KHz,0.1V);

PINS:(P1-P3):(J1-J2)=1:1±3%

PINS:(P4-P6):(J3-J6)=1:1±3%

2.LX:(100KHz,100mV,8mA, DC Bias)

PINS: (P1,P3),(P4,P6)=350uH MINIMUM

3.DCR:

PINS:(J1-J2),(J3-J6)= 1.2 OHMS MAXIMUM

4.HIPOT:

PINS(P1,P2,P3)TO(J1,J2)=1500VAC FOR 60 SECONDS

PINS(P4,P5,P6)TO(J3,J6)=1500VAC FOR 60 SECONDS

5.INSERTION LOSS:

-1.0dB MAXIMUM AT 0.3MHz TO 100MHz;

6.RETURN LOSS:

-20dB MINIMUM AT 1MHz TO 30MHz;

-15dB MINIMUM AT 30MHz TO 60MHz

-10dB MINIMUM AT 60MHz TO 80MHz

7.CROSS TALK:

-30dB MINIMUM AT 1MHz TO 100MHz

8.COMMON TO COMMON MODE REJECTION:

-30dB MINIMUM AT 1MHz TO 100MHz

XTJH-04D-1-D1M-190

PRODUCT SERIES

T : WITH TVS
H : TAB UP AND STACKED

NUMBER OF PORTS
MECHANICAL TYPE
04D: XRJH 4 PORT, LENGTH=25.4mm,
STAGGERED PINS

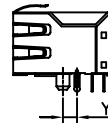
LED COLOR OPTION

SPECIAL CODE
0 : STANDARD

SHIELDED TYPE
9: 4 PORT W/2 TABS, Y=3.05mm,
EMI FINGER ON ALL SIDE

LED POLARITY
1 : +-, +-

CIRCUIT TYPE



RoHS Compliant

X MULTIPLE		THE INFORMATION AGE	
XMULTIPLE ASIA 4F, No. 347, Yang Guang St., Neihu, Taipei, Taiwan 11475		XMULTIPLE USA 1420 Los Angeles Ave., Suite G, Simi Valley, CA 93065	
THIS DRAWING IS A CONTROLLED DOCUMENT.		DWG NO: XTJH-04D-1-D1M-190	
TITLE: RJ45, w/LED, w/Filter 10/100 Mbps 8P,8C, Shielded, Thru-Hole, With TVS		DRAWN: TOM	
PART NO: XTJH-04D-1-D1M-190		CHKD: TARA	
		UNIT mm/inch J	SHEET 3 of 3
		REV 01	DATE: Dec.18,08