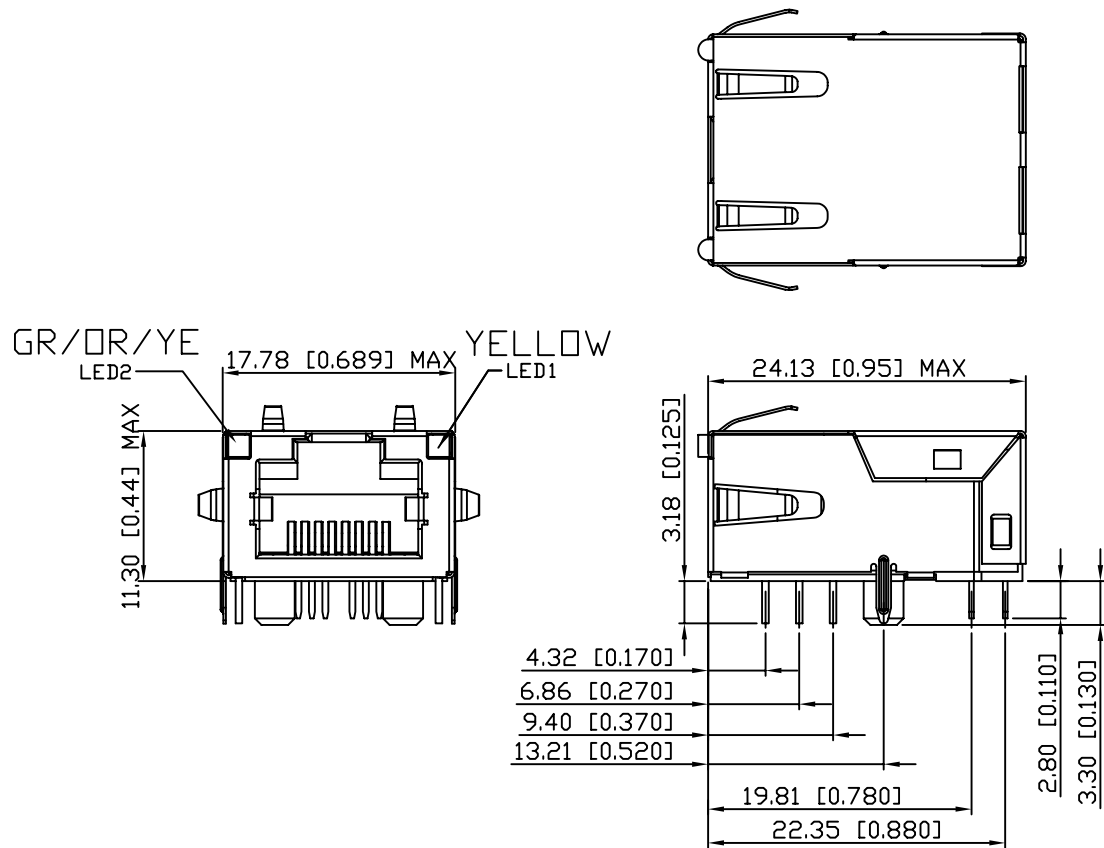
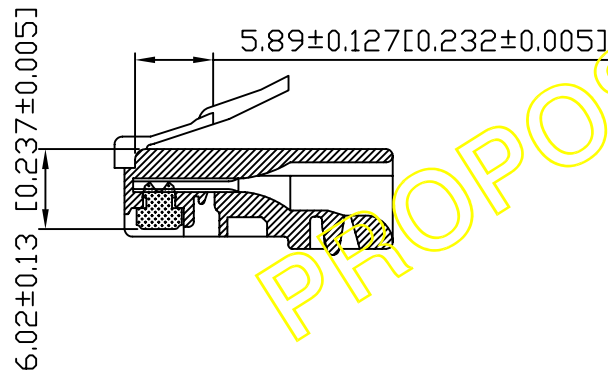


1. MECHANICAL DIMENSIONS :

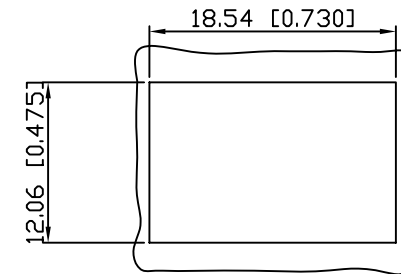


RECOMMENED PLUG DIMENSION:



NOTES:

1. MATERIAL:
HOUSING-THERMOPLASTIC MATERIAL
FLAMMABILITY RATING UL94V-0
STANDARD COLOR-BLACK
CONTACTS- 30u' GOLD PLATING
SHIELD - THICK COPPER ALLOY,
PLATED WITH NICKEL.
2. OPERATING TEMPERATURE : 0°C~70°C
3. CAVITY CONFORMS TO FCC RULES AND REGULATIONS
PART 68,SUBPART F.
4. UNSPECIFIED TOLERANCE: .XX ±0.25
.X ±0.30



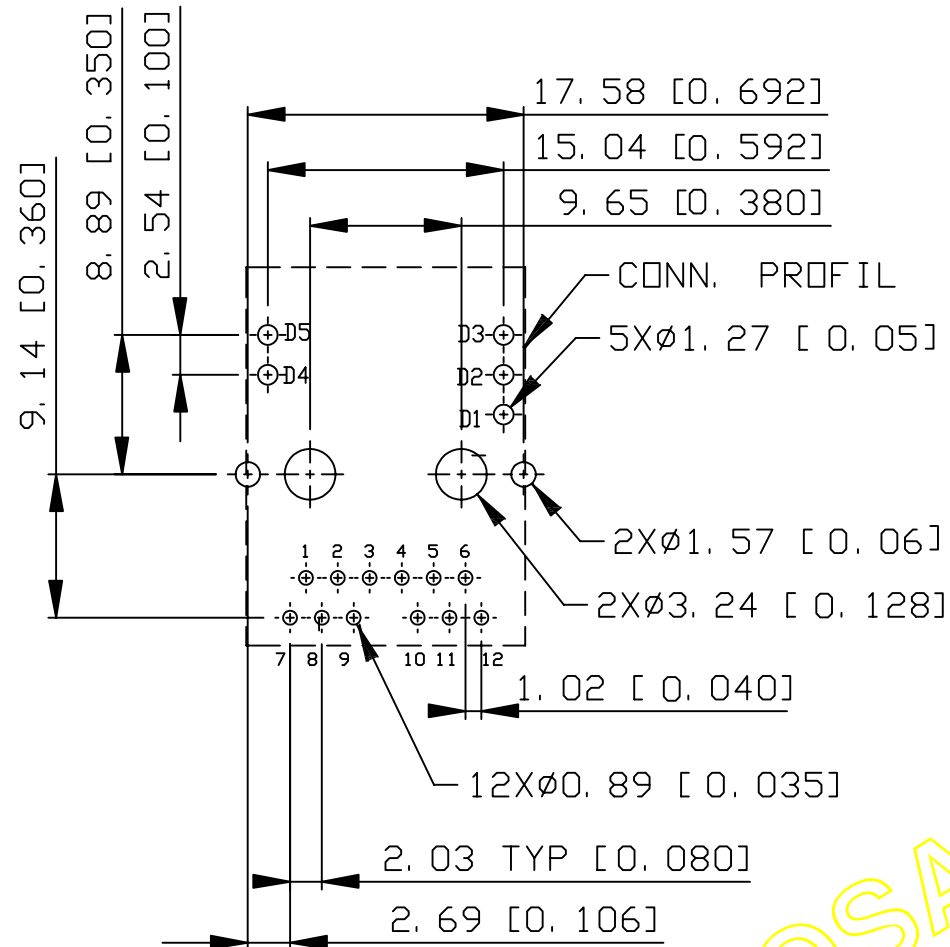
RECOMMENDED
PANEL CUTOUT DIMENSION

RoHS Compliant

X MULTIPLE		CONNECTING THE INFORMATION AGE	
X MULTIPLE ASIA 4F, No. 347, Yang Guang St., Neihu, Taipei, Taiwan 11475		X MULTIPLE USA 1420 Los Angeles Ave., Suite G, Syl Valley, CA 93065	
THIS DRAWING IS A CONTROLLED DOCUMENT.		G/NO:	
TITLE: RJ45, WITH LED, with 10/100/1000 Mbps Filter 8P,12C, Shielded, Thru Hole.		DWG NO: XRJH-01H-Y-H71-C70	
PART NO: XRJH-01H-Y-H71-C70		DRAWN: LEON	
		CHKD: JEFF	
		DATE: Nov.27,07	
UNIT mm [inch]	SHEET 1 of 3	REV 01	

PROPOSAL

2. PCB LAYOUT :

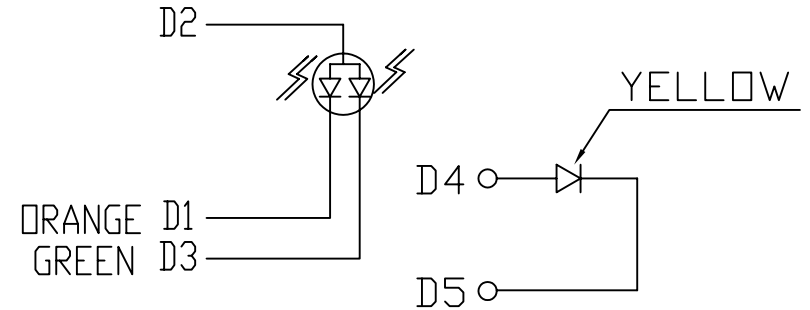


SUGGESTED PCB LAYOUT

(TOP VIEW)



DIMENSIONAL TOLERANCE: .XX ±0.08[0.003]

3. LED CONFIGURATION :



Color	Lens Color	Vf(v) @20mA		Iv(mcd) @10mA		Viewing angle
		Min	Max	Min	Typ	
Yellow	Yellow Diffused	1.7	2.8	3.0	6.0	116
Yellow	White Diffused	1.7	2.8	3.0	6.0	116
Green		1.7	2.8	3.5	6.0	116

RoHS Compliant

X MULTIPLE		CONNECTING THE INFORMATION AGE	
XMULTIPLE ASIA 4F, No. 347, Yang Guang St., Neihu, Taipei, Taiwan 11475		XMULTIPLE USA 1420 Los Angeles Ave., Suite G, Simi Valley, CA 93065	
THIS DRAWING IS A CONTROLLED DOCUMENT.		G/NO:	
TITLE: RJ45, WITH LED, with 10/100/1000 Mbps Filter 8P,12C, Shielded, Thru Hole.		DWG NO: XRJH-01H-Y-H71-C70	
PART NO: XRJH-01H-Y-H71-C70		DRAWN: LEON	
		CHKD: JEFF	
		DATE: Nov.27,07	
 		UNIT mm[inch]	SHEET 2 of 3
		REV 01	

