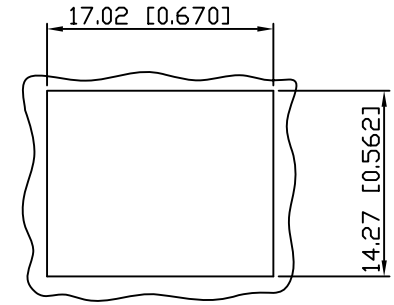
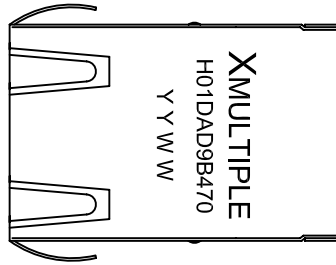
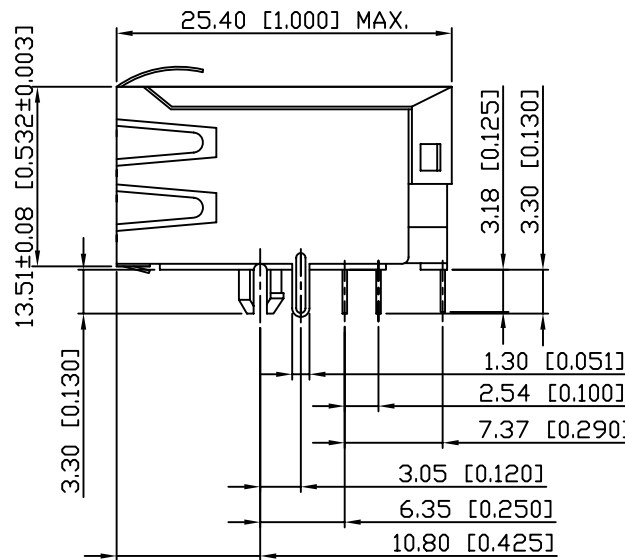
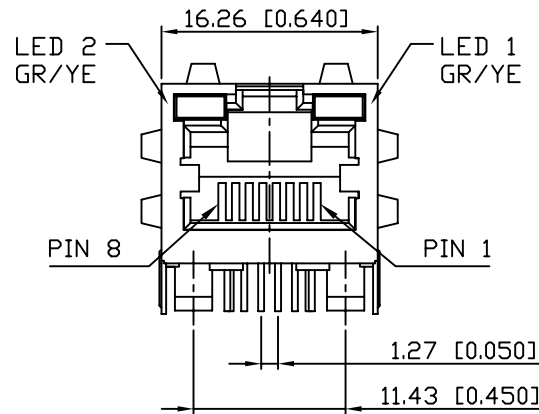


# 1. MECHANICAL DIMENSIONS :



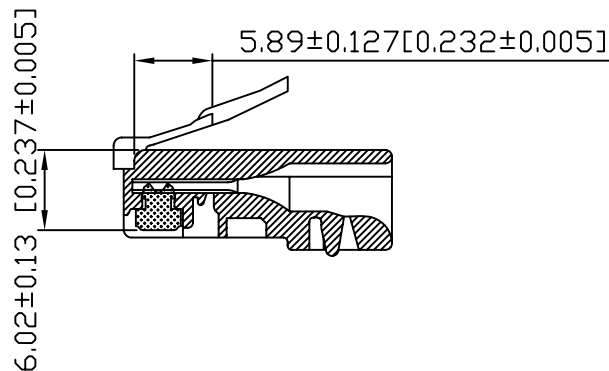
RECOMMENDED  
PANEL CUTOUT DIMENSION



NOTES:

- MATERIAL:  
HOUSING: NYLON POLYESTER UL94V-0  
MIXED GLASS FIBER.  
STANDARD COLOR-BLACK  
CONTACTS: 0.35mm THICK PHOS-BRONZE PLATED  
WITH 15u" GOLD IN CONTACT AREA,  
TIN IN SOLDER AREA, AND UNDERPLATED  
NICKEL IN ALL AREA.  
SHIELD: 0.20mm THICK COPPER ALLOY,  
PLATED WITH NICKEL.
- OPERATING TEMPERATURE : 0°C~70°C
- CAVITY CONFORMS TO FCC RULES AND REGULATIONS  
PART 68, SUBPART F
- UNSPECIFIED TOLERANCE: .XX ±0.25 [0.010]  
.X ±0.30 [0.012]

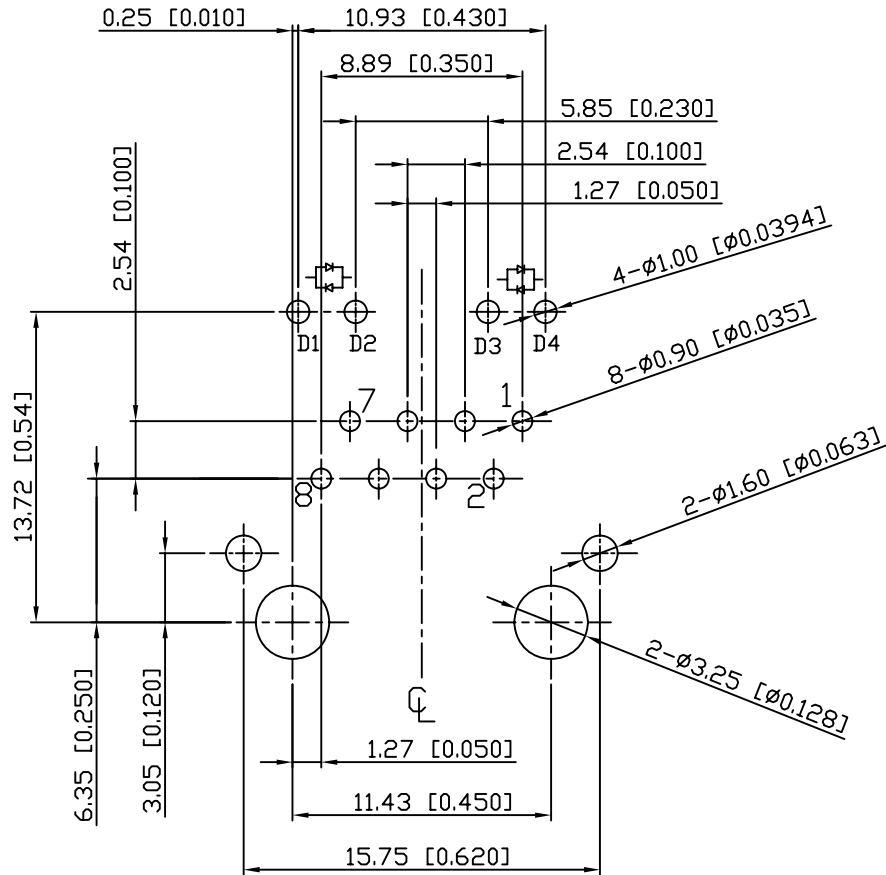
RECOMMENED PLUG DIMENSION:



# RoHS Compliant

<b>X MULTIPLE</b>			CONNECTING THE INFORMATION AGE	
X MULTIPLE ASIA 4F, No. 347, Yang Guang St., Neihu, Taipei, Taiwan 11475		X MULTIPLE USA 1420 Los Angeles Ave., Suite G, Simi Valley, CA 93065		G/ND:
THIS DRAWING IS A CONTROLLED DOCUMENT.				DWG NO: XRJH-01D-A-D9B-470
TITLE: RJ45, W/LED, with 10/100 Mbps Filter 8P,8C, Shielded, Thru Hole.				DRAWN: TOM
PART NO: XRJH-01D-A-D9B-470				CHKD: JEFF
	UNIT mm[Inch]	SHEET 1 of 3	REV 01	DATE: Feb.14,08

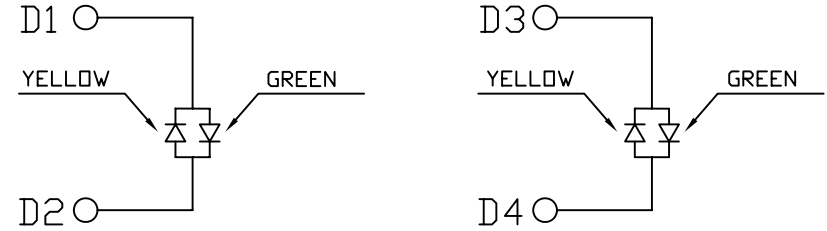
## 2. PCB LAYOUT :



SUGGESTED PCB LAYOUT  
(TOP VIEW)

DIMENSIONAL TOLERANCE: .XX ±0.08[0.003]

## 3. LED CONFIGURATION :



Color	Lens Color	VF(v) @20mA		Iv(mcd) @10mA		Viewing angle 2θ 1/2	If (mA)	Peak wave Length λP(nm)
		Min	Max	Min	Typ			
Yellow	White Diffused	1.7	2.6	3.0	6.4	160	20	585
Green		1.7	2.6	1.8	4.2	160	20	568

# RoHS Compliant

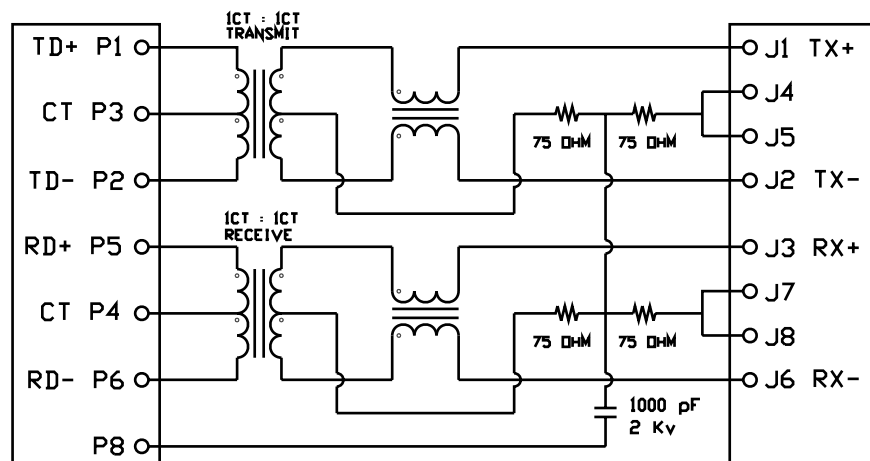
## X MULTIPLE

CONNECTING  
THE INFORMATION  
AGE

X MULTIPLE ASIA 4F, No. 347, Yang Guang St., Neihu, Taipei, Taiwan 11475		X MULTIPLE USA 1420 Los Angeles Ave., Suite G, Simi Valley, CA 93065		G/NO:	
THIS DRAWING IS A CONTROLLED DOCUMENT.					
TITLE: RJ45, W/LED, with 10/100 Mbps Filter 8P,8C, Shielded, Thru Hole.				DWG NO: XRJH-01D-A-D9B-470	
PART NO: XRJH-01D-A-D9B-470				DRAWN: TOM	
UNIT mm [Inch]				SHEET 2 of 3	
REV 01				CHKD: JEFF	
DATE: Feb.14,08					

CONNECTOR SOLDER SIDE

RJ45 CONTACT SIDE



TEST NOTES:(25±5°C)

1.TR:(100KHz,0.1V);

PINS:(P1-P2):(J1-J2)=1:1±3%

PINS:(P5-P6):(J3-J6)=1:1±3%

2.LX:(100KHz,100mV,8mA, DC Bias)

PINS:(P1,P2),(P5,P6)=350uH MINIMUM

3.DCR:

PINS:(J1-J2),(J3-J6)= 1.2 OHMS MAXIMUM

4.HIPOT:

PINS(P1,P3,P2)TO(J1,J2)=1500VAC FOR 60 SECONDS

PINS(P5,P4,P6)TO(J3,J6)=1500VAC FOR 60 SECONDS

5.INSERTION LOSS:

-1.0dB MAXIMUM AT 0.3MHz TO 100MHz;

6.RETURN LOSS:

-20dB MINIMUM AT 1MHz TO 30MHz;

-15dB MINIMUM AT 30MHz TO 60MHz

-10dB MINIMUM AT 60MHz TO 80MHz

7.CROSS TALK:

-30dB MINIMUM AT 1MHz TO 100MHz

8.COMMON TO COMMON MODE REJECTION:

-30dB MINIMUM AT 1MHz TO 100MHz

4 : BI-COLOR , BI-COLOR

CONNECTING THE INFORMATION AGE		
IA 4F, No. 347, Yang Guang St., Neihu, Taipei, Taiwan 11475	1420 Los Angeles Ave., Suite G.	G/N/E:
THIS DRAWING IS A CONTROLLED DOCUMENT.		DWG NO: XR.JH-01D-A-D9B-470
TITLE: RJ45, W/LED, with 10/100 Mbps Filter BP,BC, Shielded, Thru Hole.		DRAWN: TOM
PART NO:	XRJH-01D-A-D9B-470	CHKD: JEFF
	UNIT mm[inch 1]	SHEET 3 of 3
	REVISION 01	DATE: Feb.14,08