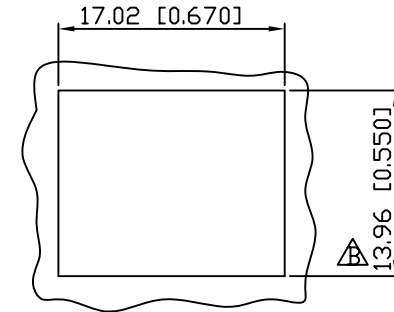


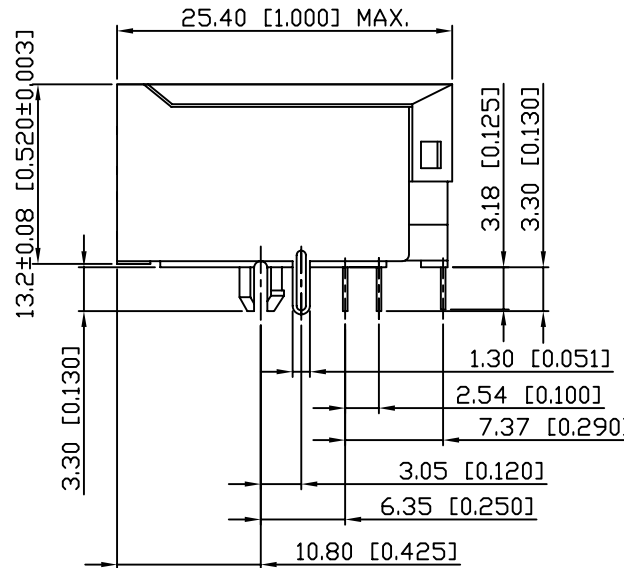
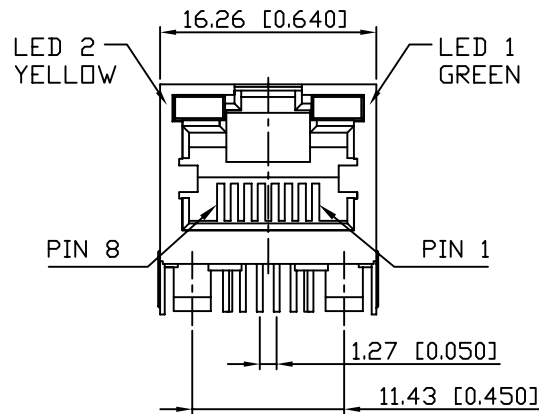
1. MECHANICAL DIMENSIONS :



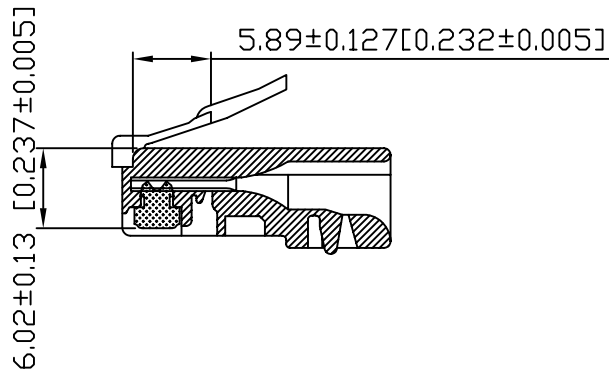
RECOMMENDED
PANEL CUTOUT DIMENSION

NOTES:

- MATERIAL:
HOUSING-NYLON POLYESTER UL94V-0
MIXED GLASS FIBER,
STANDARD COLOR-BLACK
CONTACTS-0.35mm THICK PHOS-BRONZE PLATED
WITH 15u" GOLD AND TIN IN
SOLDER AREA.
SHIELD-0.20mm THICK COPPER ALLOY,
PLATED WITH NICKEL.
- OPERATING TEMPERATURE: 0°C TO +70°C
- CAVITY CONFIRMS TO FCC RULES AND REGULATIONS
PART 68,SUBPART F.
- UNSPECIFIED TOLERANCE: .XX ±0.25
.X ±0.30



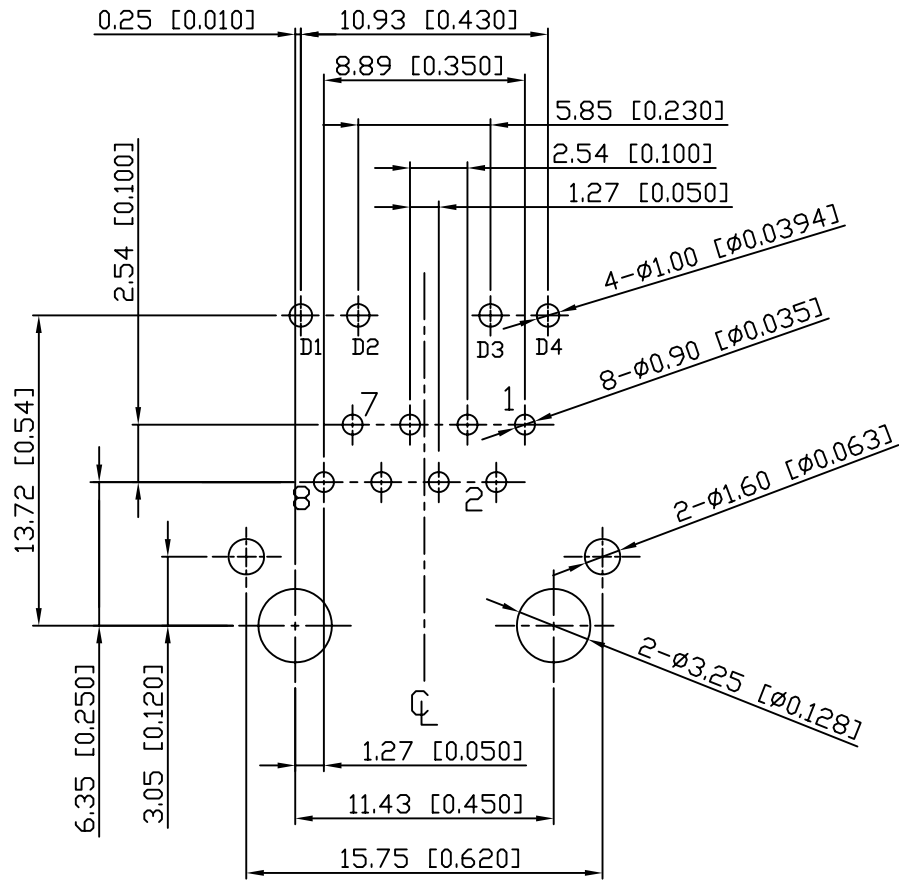
RECOMMENDED PLUG DIMENSION:



RoHS Compliant

| | | | |
|---|-----------------|---|--|
| XMULTIPLE | | CONNECTING THE INFORMATION AGE | |
| XMULTIPLE ASIA 4F, No. 347, Yang Guang St., Neihu, Taipei, Taiwan 11475 | | XMULTIPLE USA 1420 Los Angeles Ave., Suite G, Simi Valley, CA 93065 | |
| THIS DRAWING IS A CONTROLLED DOCUMENT. | | G/NO: | |
| TITLE: RJ45, W/LED, with 10/100 Mbps Filter 8P,8C, Shielded, Thru Hole. | | DWG NO: XRJH-01D-1-E13-180 | |
| PART NO: XRJH-01D-1-E13-180 | | DRAWN: LEON | |
| | | CHKD: JEFF | |
| | | DATE: Jan.24,08 | |
| UNIT mm[inch] | SHEET 1 of 3 | REV 01 | |

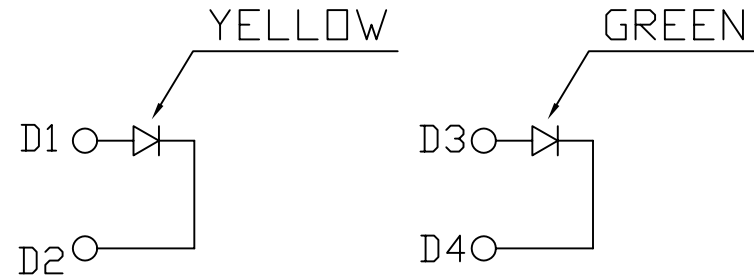
2. PCB LAYOUT :



SUGGESTED PCB LAYOUT
(TOP VIEW)

DIMENSIONAL TOLERANCE: .XX ±0.08[0.003]

3. LED CONFIGURATION :



| Color | Lens Color | Vf(v) @20mA | | Iv(mcd) @10mA | | Viewing angle |
|--------|-----------------|----------------|-----|------------------|-----|---------------|
| | | Min | Max | Min | Typ | |
| Yellow | Yellow Diffused | 1.7 | 2.8 | 3.0 | 6.0 | 2θ 1/2 |
| Green | Green Diffused | 1.7 | 2.8 | 3.5 | 6.0 | 116 |

RoHS Compliant

| | | | |
|--|--|--|-----------|
| X MULTIPLE | | CONNECTING THE INFORMATION AGE | |
| X MULTIPLE ASIA 4F, No. 347, Yang Guang St., Neihu, Taipei, Taiwan 11475 | | X MULTIPLE USA 1420 Los Angeles Ave., Suite G, Simi Valley, CA 93065 | |
| THIS DRAWING IS A CONTROLLED DOCUMENT. | | G/NO: | |
| TITLE: RJ45, W/LED, with 10/100 Mbps Filter 8P,8C, Shielded, Thru Hole. | | DWG NO: XRJH-01D-1-E13-180 | |
| PART NO: XRJH-01D-1-E13-180 | | DRAWN: LEON | |
| | | UNIT | SHEET |
| | | mm[inch] | 2 of 3 |
| | | REV | DATE |
| | | 01 | Jan.24,08 |

TEST NOTES:(25±5°C)

1.TR:(100KHz,0.1V);

PINS:(P1-P2):(J1-J2)=1:1±3%

PINS:(P7-P8):(J3-J6)=1:1±3%

2.LX:(100KHz,100mV,8mA, DC Bias)

PINS: (P1,P2),(P7,P8)=350uH MINIMUM

3.DCR:

PINS:(J1-J2),(J3-J6)= 1.2 OHMS MAXIMUM



4.HIPOT:

>TQ(J1,J2)=1500VAC FOR 60 SECONDS

5.INSERTION LOSS:

6.RETURN LOSS:

7.CROSS TALK:

| X MULTIPLE | | CONNECTING THE INFORMATION AGE | | |
|---|---|---|-----------------|-------------------------------|
| MULTIPLE ASIA 4F. No. 347, Yang Guang St. Neihu, Taipei, Taiwan 11475 | | MULTIPLE USA 1420 Los Angeles Ave., Suite G. San Valley, CA 93065 | | G/NO: |
| THIS DRAWING IS A CONTROLLED DOCUMENT. | | | | DWG NO: XRJH-01D-1-E13-180 |
| TITLE: RJ45, W/LED, with 10/100 Mbps Filter 8P,8C, Shielded, Thru Hole. | | | | DRAWN: LEON |
| PART NO: XRJH-01D-1-E13-180 | | | | CHKD: JEFF |
|  |  | UNIT mm[inch 1] | SHEET 3 of 3 | REV 01 |
| | | | | DATE: Jan.24,08 |