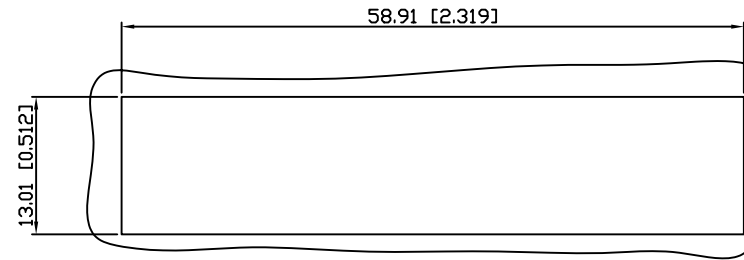
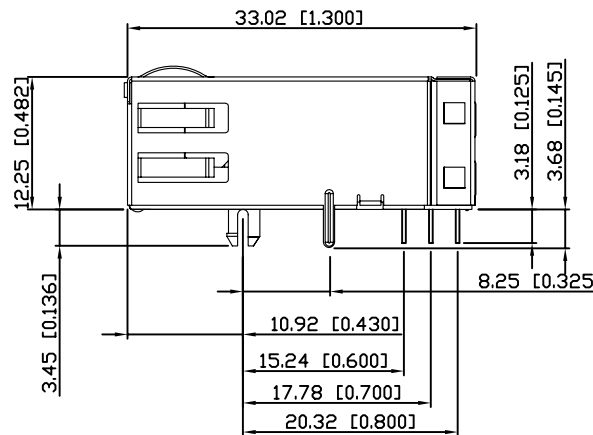
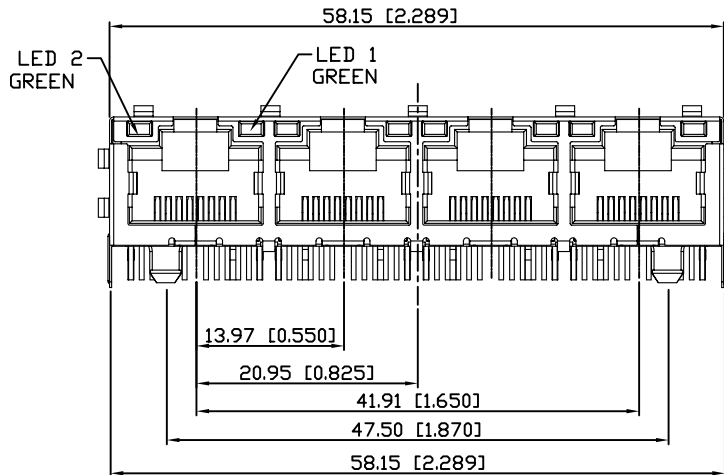


1. MECHANICAL DIMENSIONS :



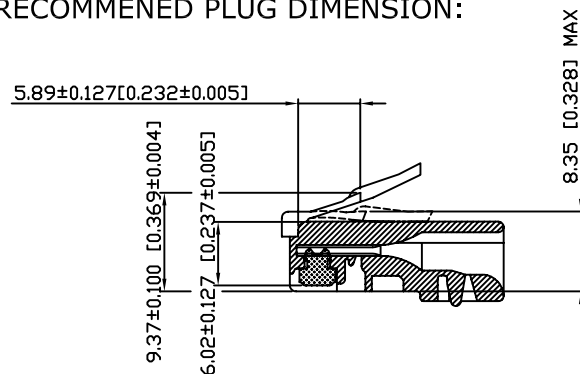
RECOMMENDED  
PANEL CUTOUT DIMENSION



NOTES:

- MATERIALS:  
HOUSING: HIGH TEMP. THERMOPLASTIC, PBT, UL 94V-0, BLACK  
CONTACTS-0.35mm THICK PHOS-BRONZE PLATED WITH 15u" GOLD IN CONTACT AREA, GOLD FLASH IN SOLDER AREA, AND UNDERPLATED 50u" NICKEL PLATING ON ALL AREA.  
SHIELD-0.25mm THICK COPPER ALLOY, PLATED WITH NICKEL.
- OPERATING TEMPERATURE: -40°C TO +85°C
- CAVITY CONFORMS TO FCC RULES AND REGULATIONS PART 68,SUBPART F.
- UNSPECIFIED TOLERANCE: .XX ±0.25 [0.010]  
.X ±0.30 [0.012]

RECOMMENED PLUG DIMENSION:

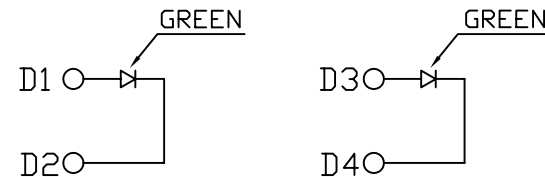
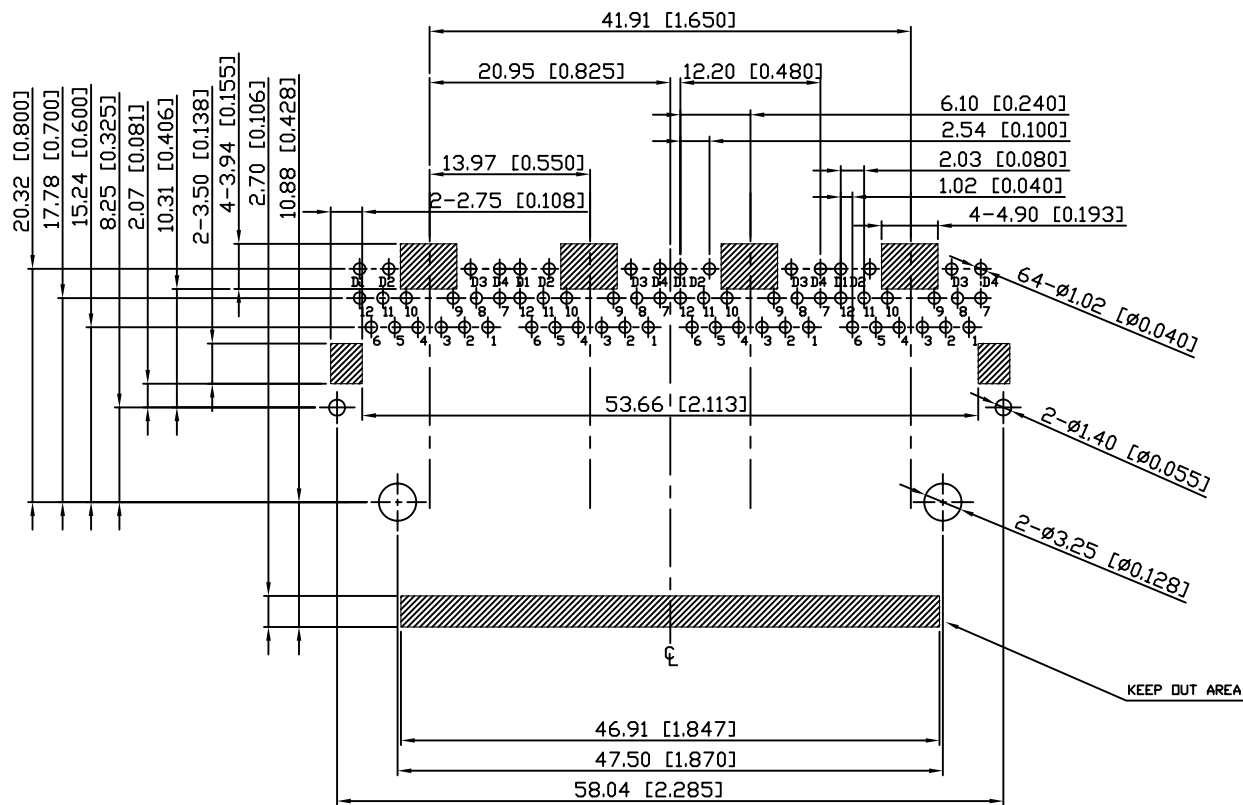


RoHS Compliant

<h1>XMULTIPLE</h1>		CONNECTING THE INFORMATION AGE	
XMULTIPLE ASIA 4F, No. 347, Yang Guang St., Neihu, Taipei, Taiwan 11475		XMULTIPLE USA 1420 Los Angeles Ave., Suite G, Simi Valley, CA 93065	
THIS DRAWING IS A CONTROLLED DOCUMENT.		DWG NO: XPJH-04L-5-R10-1S0	
TITLE: RJ45, w/LED, w/Filter 10/100/1000 Mbps 8P,12C, Shielded, Thru-Hole For PoE.		DRAWN: IVAN	
PART NO: XPJH-04L-5-R10-1S0		CHKD: TARA	
	UNIT	SHEET	REV
	mm[Inch]	1 of 3	01
		DATE: Apr.03,09	

2. PCB LAYOUT :

3. LED CONFIGURATION :



SUGGESTED PCB LAYOUT  
TOP VIEW

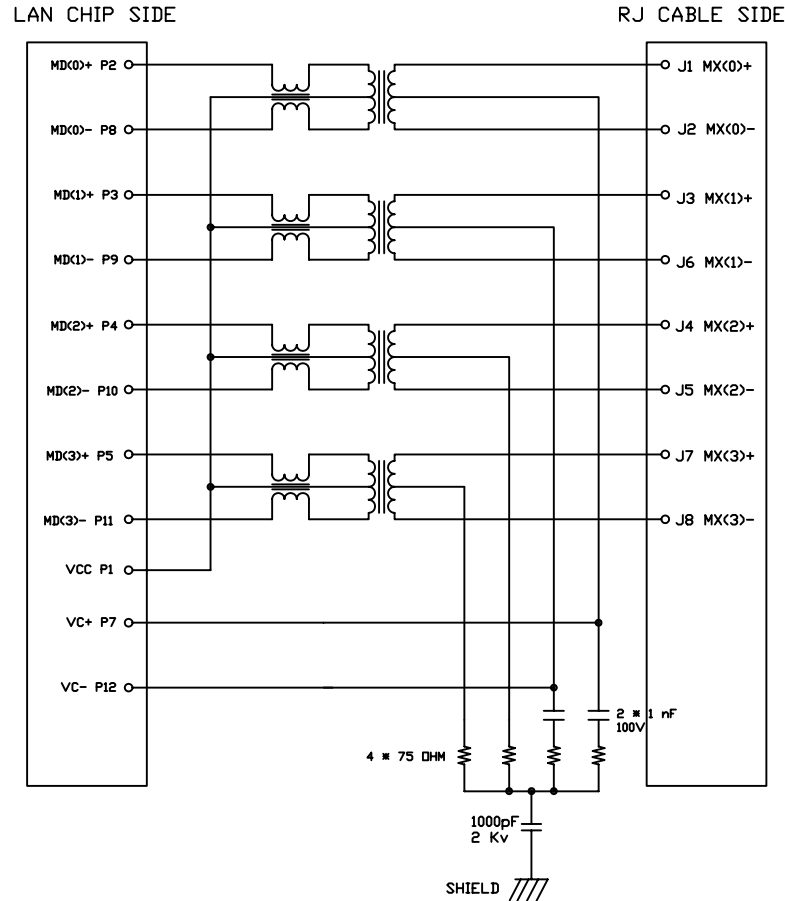
DIMENSIONAL TOLERANCE: .XX ±0.08[0.003]

RoHS Compliant

		CONNECTING THE INFORMATION AGE	
MULTIPLE ASIA 4F, No. 347, Yang Guang St., Neihu, Taipei, Taiwan 11475		MULTIPLE USA 1420 Los Angeles Ave., Suite G, Sunnyvale, CA 94085	
THIS DRAWING IS A CONTROLLED DOCUMENT.			
TITLE:		RJ45, w/LED, w/Filter 10/100/1000 Mbps 8P,12C, Shielded, Thru-Hole For PoE.	
PART NO:		XPJH-04L-5-R10-1S0	
		UNIT: mm [Inch]	
		SHEET: 2 of 3	
DATE:		REV: 01	
DATE:		Apr.03,09	

F

#### 4. SCHEMATIC:



#### 5. ELECTRICAL CHARACTERISTICS :

TEST NOTES:(25±5°C)

- TR:(100KHz,0.1V);  
PINS:(P2,P8)TO(J1,J2)=1:1±3%;(P3,P9)TO(J3,J6)=1:1±3%;  
PINS:(P4,P10)TO(J4,J5)=1:1±3%;(P5,P11)TO(J7,J8)=1:1±3%
- LX:(100KHz,100mV,8mA, DC Bias)  
PINS:(P2,P8),(P3,P9),(P4,P10),(P5,P11)=350uH MINIMUM
- DCR:  
PINS:(J1,J2),(J3,J6),(J4,J5),(J7,J8)=1.2 OHMS MAXIMUM
- HIPOT:  
PINS(P2,P8)TO(J1,J2),(P3,P9)TO(J3,J6)=1650VAC FOR 2 SECONDS  
PINS(P4,P10)TO(J4,J5),(P5,P11)TO(J7,J8)=1650VAC FOR 2 SECONDS
- INSERTION LOSS:  
-0.8dB MAXIMUM AT 0.3MHz TO 100MHz;  
-1.2dB MAXIMUM AT 100MHz TO 120MHz
- RETURN LOSS:  
-18dB MINIMUM AT 0.5MHz TO 40MHz;  
-12+20Log(f/80MHz)dB MINIMUM AT 40MHz TO 100MHz
- CROSS TALK:  
-33+20Log(f/100MHz)dB MINIMUM AT 0.1MHz TO 100MHz
- COMMON TO DIFFERENTIAL MODE REJECTION:  
-35dB MINIMUM AT 0.3MKHz TO 100MHz
- COMMON TO COMMON MODE REJECTION:  
-30dB MINIMUM AT 0.3MHz TO 100MHz

XPJH-04L-5-R10-1S0


PRODUCT SERIES  
XPJH : LATCH UP AND STACKED  
FOR PoE TYPE

NUMBER OF PORTS  
MECHANICAL TYPE  
04L: 4 PDRT LENGTH 33.02, HEIGHT 12.25  
STRAIGHT PINS(MODULE)

LED COLOR OPTION

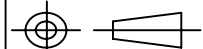
SPECIAL CODE  
0 : STANDARD

SHIELDED TYPE  
S : W/O PEG, Y=8.25, EMI FINGER ON ALL SIDE

LED POLARITY  
1 : +, -, +-  


CIRCUIT TYPE

# RoHS Compliant

<b>X</b> MULTIPLE		CONNECTING THE INFORMATION AGE	
MULTIPLE ASIA 4F, No. 347, Yang Guang St., Neihu, Taipei, Taiwan 11475		MULTIPLE USA 1420 Los Angeles Ave., Suite G, Simi Valley, CA 93065	
THIS DRAWING IS A CONTROLLED DOCUMENT.		G/NO:	
TITLE: RJ45, w/LED, w/Filter 10/100/1000 Mbps 8P,12C, Shielded, Thru-Hole For PoE.		DWG NO: XPJH-04L-5-R10-1S0	
PART NO: XPJH-04L-5-R10-1S0		DRAWN: IVAN	
		CHKD: TARA	
		UNIT mm[Inch]	SHEET 3 of 3
		REV 01	DATE: Apr.03,09