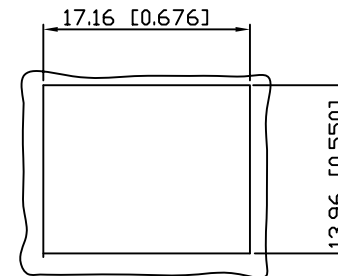
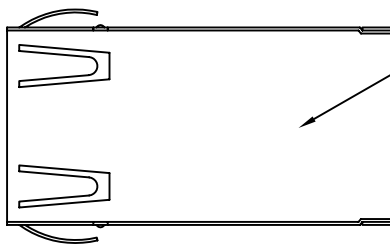
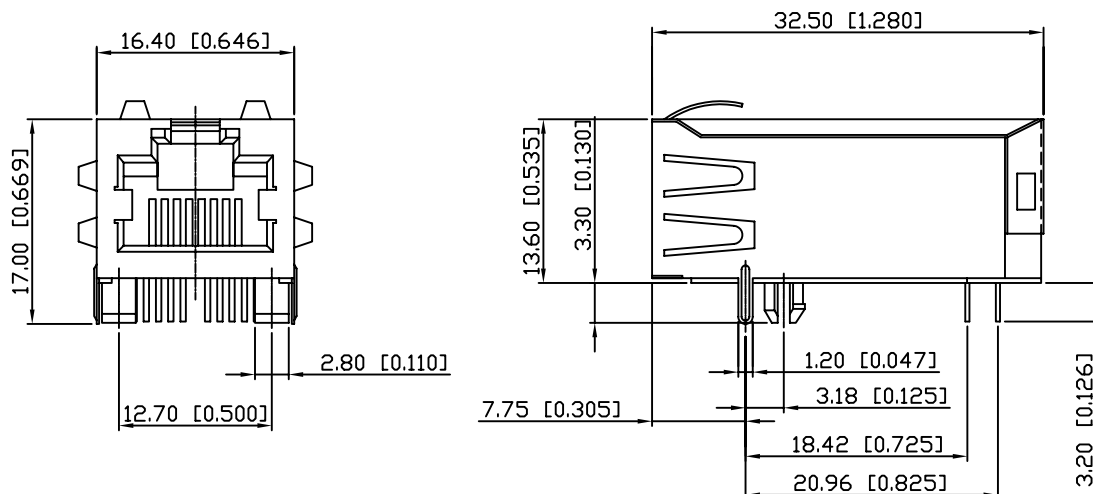


# 1. MECHANICAL DIMENSIONS :

XMULTIPLE  
PH01R0R09070  
YY WW



RECOMMENDED  
PANEL CUTOUT DIMENSION



## NOTES:

### 1. MATERIALS:

HOUSING: HIGH TEMP. THERMOPLASTIC, PBT  
, UL 94V-0, BLACK

CONTACTS: 0.35mm THICK PHOS-BRONZE PLATED  
WITH 15u" GOLD AND GOLD FLASH IN  
SOLDER AREA.

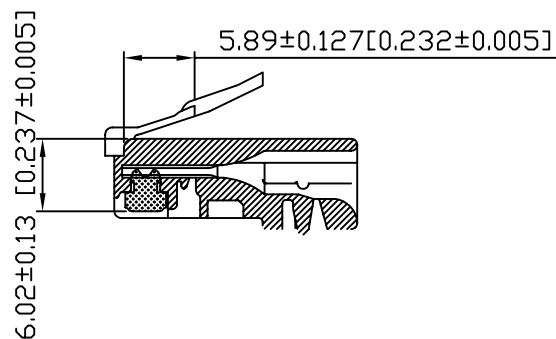
SHIELD: 0.25mm THICK COPPER ALLOY,  
PLATED WITH NICKEL.

### 2. OPERATING TEMPERATURE : 0°C~70°C

### 3. CAVITY CONFORMS TO FCC RULES AND REGULATIONS PART 68,SUBPART F.

### 4. UNSPECIFIED TOLERANCE: .XX ±0.25 [0.010] .X ±0.30 [0.012]

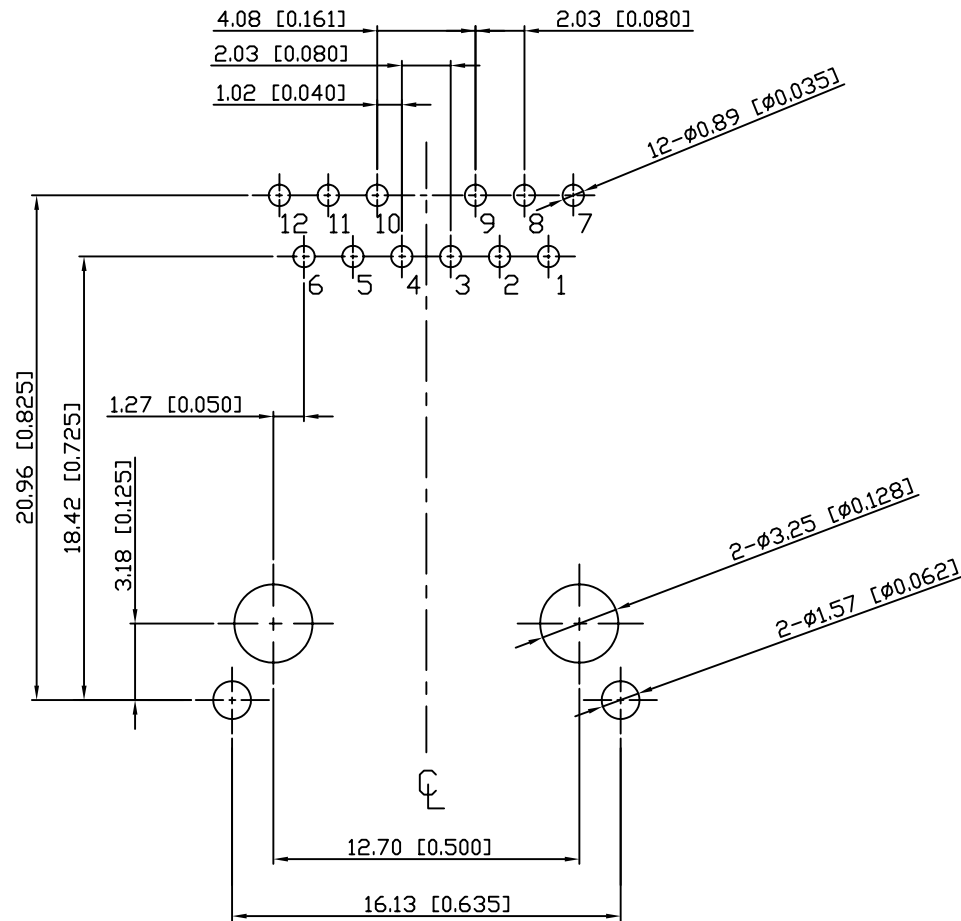
## RECOMMENED PLUG DIMENSION:



# RoHS Compliant

<b>XMULTIPLE</b>		CONNECTING THE INFORMATION AGE	
XMULTIPLE ASIA 4F, No. 347, Yang Guang St., Neihu, Taipei, Taiwan 11475		XMULTIPLE USA 1420 Los Angeles Ave., Suite G, Simi Valley, CA 93065	
THIS DRAWING IS A CONTROLLED DOCUMENT.		G/NO:	
TITLE: RJ45, w/o LED, with 10/100/1000 Mbps Filter 8P,12C, Shielded, Thru Hole, For PoE.		DWG NO: XPJH-01R-0-R09-070	
PART NO: XPJH-01R-0-R09-070		DRAWN: LEON	
		CHKD: TARA	
		DATE: Feb.20,09	
UNIT mm [Inch]	SHEET 1 of 3	REV 01	

## 2. PCB LAYOUT :



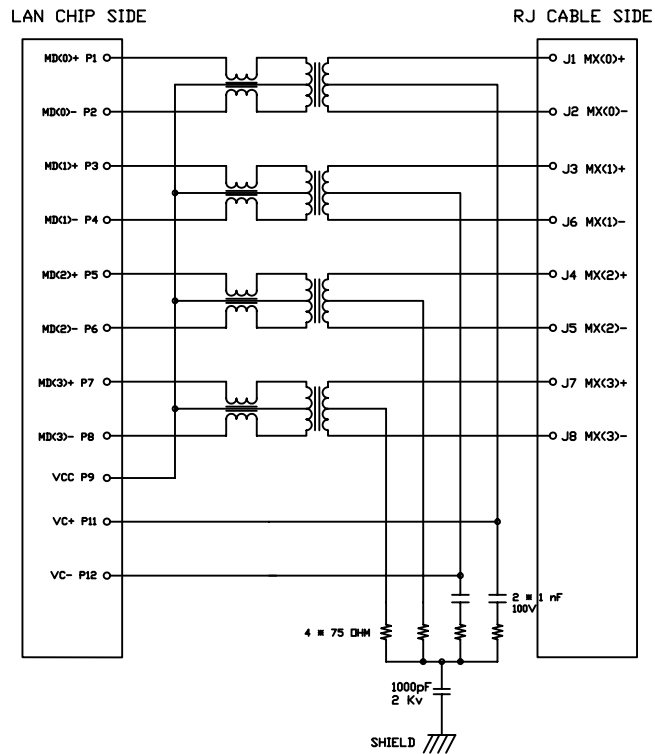
SUGGESTED PCB LAYOUT  
TOP VIEW

DIMENSIONAL TOLERANCE: .XX ±0.08[0.003]

# RoHS Compliant

		CONNECTING THE INFORMATION AGE		
				X MULTIPLE ASIA 4F, No. 347, Yang Guang St., Neihu, Taipei, Taiwan 11475
THIS DRAWING IS A CONTROLLED DOCUMENT.				DWG NO: XPJH-01R-0-R09-070
TITLE: RJ45, w/o LED, with 10/100/1000 Mbps Filter 8P, 12C, Shielded, Thru Hole, For PoE.		DRAWN: LEON		
PART NO: XPJH-01R-0-R09-070		CHKD: TARA		
		UNIT mm [Inch]	SHEET 2 of 3	
		REV 01	DATE: Feb.20,09	

### 3. SCHEMATIC:



### 4. ELECTRICAL CHARACTERISTICS :

TEST NOTES:(25°±5°C)

- TR:(100KHz,0.1V);  
PINS:(P1,P2):(J1,J2)=1:1±3%;(P3,P4):(J3,J6)=1:1±3%  
PINS:(P5,P6):(J4,J5)=1:1±3%;(P7,P8):(J7,J8)=1:1±3%
- LX:(100KHz,100mV,8mA, DC Bias)  
PINS:(P1,P2),(P3,P4),(P5,P6),(P7,P8)=350uH MINIMUM
- DCR:  
PINS:(J1,J2),(J3,J6),(J4,J5),(J7,J8)=1.2 OHMS MAXIMUM
- HIPOT:  
PINS(P1,P2)TO(J1,J2),(P3,P4)TO(J3,J6)=1650VAC FOR 2 SECONDS  
PINS(P5,P6)TO(J4,J5),(P7,P8)TO(J7,J8)=1650VAC FOR 2 SECONDS
- INSERTION LOSS:  
-0.8dB MAXIMUM AT 0.3MHz TO 100MHz;  
-1.2dB MAXIMUM AT 100MHz TO 120MHz
- RETURN LOSS:  
-18dB MINIMUM AT 0.5MHz TO 40MHz;  
-12+20Log(f/80MHz)dB MINIMUM AT 40MHz TO 100MHz
- CROSS TALK:  
-33+20Log(f/100MHz)dB MINIMUM AT 0.1MHz TO 100MHz
- COMMON TO DIFFERENTIAL MODE REJECTION:  
-35dB MINIMUM AT 0.3MHz TO 100MHz
- COMMON TO COMMON MODE REJECTION:  
-30dB MINIMUM AT 0.3MHz TO 100MHz

# RoHS Compliant

XPJH-01R-0-R09-070

PRODUCT SERIES  
XPJH : LATCH UP AND STACKED FOR PoE TYPE

NUMBER OF PORTS  
MECHANICAL TYPE  
01R : XRJH 1 PORT, LENGTH=32.5mm, STRAIGHT PINS

LED COLOR OPTION

SPECIAL CODE  
0 : STANDARD

SHIELDED TYPE  
7 : EMI FINGER ON ALL SIDE

LED POLARITY  
0 : W/O LED

CIRCUIT TYPE

		CONNECTING THE INFORMATION AGE		
				XMULTIPLE ASIA 4F, No. 347, Yang Guang St., Neihu, Taipei, Taiwan 11475
THIS DRAWING IS A CONTROLLED DOCUMENT.				DWG NO: XPJH-01R-0-R09-070
TITLE: RJ45, w/o LED, with 10/100/1000 Mbps Filter 8P,12C, Shielded, Thru Hole, For PoE.		DRAWN: LEON		
PART NO: XPJH-01R-0-R09-070		CHKD: TARA		
	UNIT mm[inch]	SHEET 3 of 3	REV 01	
DATE: Feb.20,09			DATE: Feb.20,09	