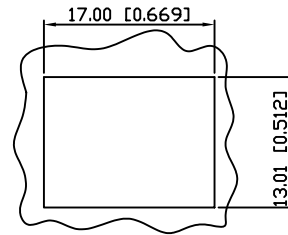
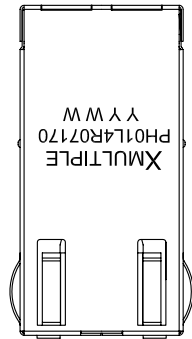
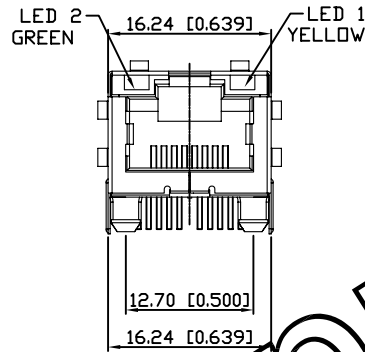


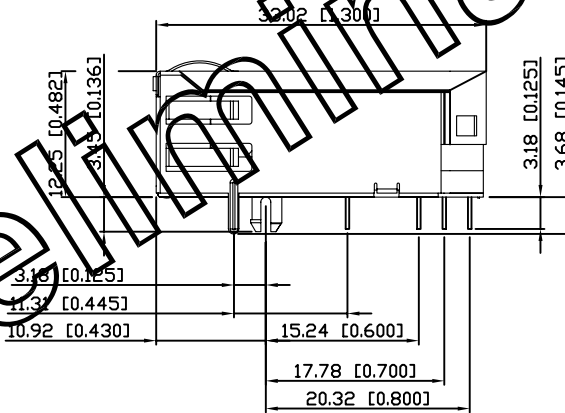
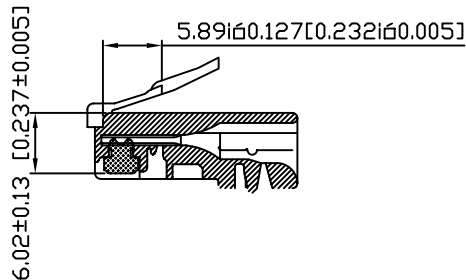
1. MECHANICAL DIMENSIONS :



RECOMMENDED  
PANEL CUTOUT DIMENSION



RECOMMENDED PLUG DIMENSION:



NOTES:

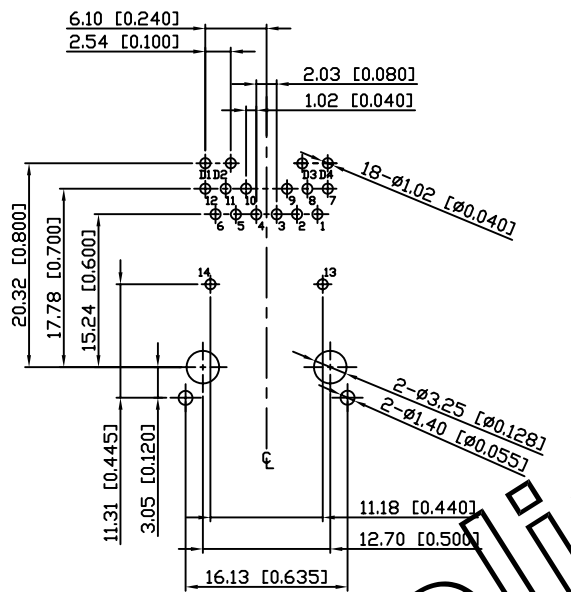
1. MATERIALS:  
HOUSING: HIGH TEMP. THERMOPLASTIC, PBT  
, UL 94V-0, BLACK  
CONTACTS-0.35mm THICK PHOS-BRONZE PLATED  
WITH 15u" GOLD IN CONTACT AREA, TIN IN  
SOLDER AREA, AND UNDERPLATED 50u" NICKEL  
PLATING ON ALL AREA.  
SHIELD-0.25mm THICK COPPER ALLOY,  
PLATED WITH NICKEL.
2. OPERATING TEMPERATURE: 0°C TO 70°C
3. CAVITY CONFORMS TO FCC RULES AND REGULATIONS  
PART 68,SUBPART F.
4. UNSPECIFIED TOLERANCE: .XX ±0.25 [0.010]  
.X ±0.30 [0.012]

RoHS Compliant

X MULTIPLE		CONNECTING THE INFORMATION AGE	
X MULTIPLE ASIA 4F, No. 347, Yang Guang St., Neihu, Taipei, Taiwan 11475		X MULTIPLE USA 1420 Los Angeles Ave., Suite G, Simi Valley, CA 93065	
THIS DRAWING IS A CONTROLLED DOCUMENT.		G/NO:	
TITLE: RJ45, w/ LED, with 10/100/1000 Mbps Filter 8P,14C, Shielded, Thru Hole, For PoE.		DWG NO: XPJH-01L-4-R07-170	
PART NO: XPJH-01W-4-R07-170		DRAWN: IVAN	
		CHKD: TARA	
		UNIT mm[inch]	SHEET 1 of 3
		REV 01	DATE: Dec.08,08

2. PCB LAYOUT :

3. LED CONFIGURATION :



SUGGESTED PCB LAYOUT

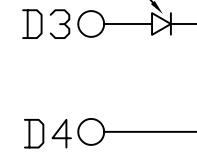
TOP VIEW

DIMENSIONAL TOLERANCE: .XX ±0.08[0.003]

GREEN





YELLOW

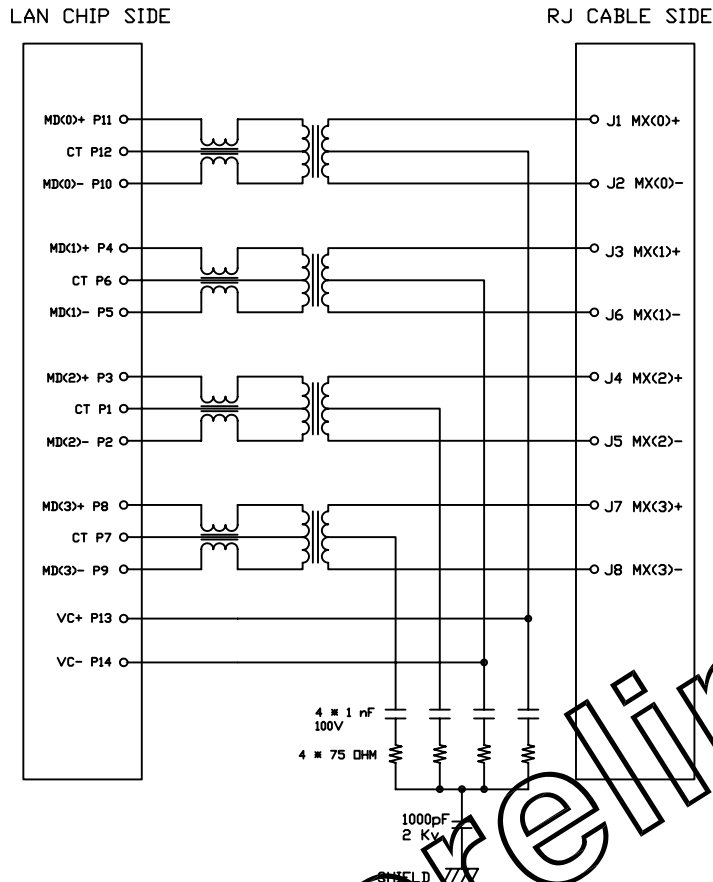


Preliminary

RoHS Compliant

X MULTIPLE		CONNECTING THE INFORMATION AGE	
X MULTIPLE ASIA 4F, No. 347, Yang Guang St., Neihu, Taipei, Taiwan 11475		X MULTIPLE USA 1420 Los Angeles Ave., Suite G, Simi Valley, CA 93065	
THIS DRAWING IS A CONTROLLED DOCUMENT.		G/NO:	
TITLE: RJ45, w/ LED, with 10/100/1000 Mbps Filter 8P,14C, Shielded, Thru Hole, For PoE.		DWG NO: XPJH-01L-4-R07-170	
PART NO: XPJH-01L-4-R07-170		DRAWN: IVAN	
 		CHKD: TARA	DATE: Dec.08,08
		UNIT mm[inch]	SHEET 2 of 3

#### 4. SCHEMATIC:



#### 5. ELECTRICAL CHARACTERISTICS :

TEST NOTES:(25°±5°C)

- TR:(100KHz,0.1V);  
PINS:(P11,P10):(J1,J2)=1:1±3%;(P4,P5):(J3,J6)=1:1±3%;  
PINS:(P3,P2):(J4,J5)=1:1±3%;(P8,P9):(J7,J8)=1:1±3%
- DCR:  
PINS:(J1,J2),(J3,J6),(J4,J5),(J7,J8)=1.2 OHMS MAXIMUM
- HIPOT:  
PINS(P11,P10)TD(J1,J2),(P4,P5)TD(J3,J6)=1500VAC FOR 60 SECONDS  
PINS(P3,P2)TD(J4,J5),(P8,P9)TD(J7,J8)=1500VAC FOR 60 SECONDS
- INSERTION LOSS:  
-0.8dB MAXIMUM AT 0.3MHz TO 100MHz;  
-1.2dB MAXIMUM AT 100MHz TO 120MHz
- RETURN LOSS:  
-18dB MINIMUM AT 0.5MHz TO 40MHz;  
-2+20Log(f/80MHz)dB MINIMUM AT 40MHz TO 100MHz
- CROSS TALK:  
-3+20Log(f/100MHz)dB MINIMUM AT 0.1MHz TO 100MHz
- COMMON TO DIFFERENTIAL MODE REJECTION:  
-35dB MINIMUM AT 0.3MKHz TO 100MHz
- COMMON TO COMMON MODE REJECTION:  
-30dB MINIMUM AT 0.3MHz TO 100MHz

XPJH-01L-4-R07-170

#### PRODUCT SERIES

H : LATCH UP AND STACKED FOR PoE TYPE

NUMBER OF PORTS  
MECHANICAL TYPE

01L : 1 PORT LENGTH 33.02, HEIGHT 12.25  
STRAIGHT PINS(MODULE)

LED COLOR OPTION

SPECIAL CODE  
0 : STANDARD

SHIELDED TYPE  
7 : EMI FINGER ON ALL SIDE

LED POLARITY  
1 : +-, +-

CIRCUIT TYPE

## RoHS Compliant

X MULTIPLE		CONNECTING THE INFORMATION AGE	
MULTIPLE ASIA 4F, No. 347, Yang Guang St., Neihu, Taipei, Taiwan 11475		MULTIPLE USA 1420 Los Angeles Ave., Suite G, Simi Valley, CA 93065	
G/NO:		DWG NO:	
THIS DRAWING IS A CONTROLLED DOCUMENT.		XPJH-01L-4-R07-170	
TITLE: RJ45, w/ LED, with 10/100/1000 Mbps Filter 8P,14C, Shielded, Thru Hole, For PoE.		DRAWN: IVAN	
PART NO: XPJH-01L-4-R07-170		CHKD: TARA	
		UNIT	SHEET
		mm[inch]	3 of 3
		REV	DATE:
		01	Dec.08,08