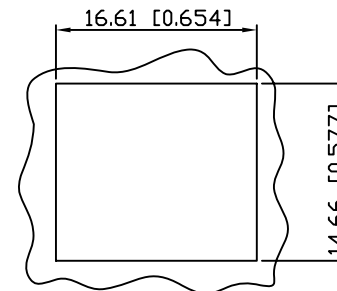
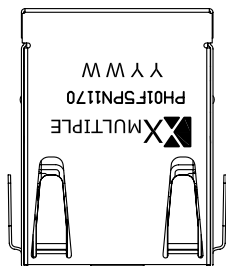
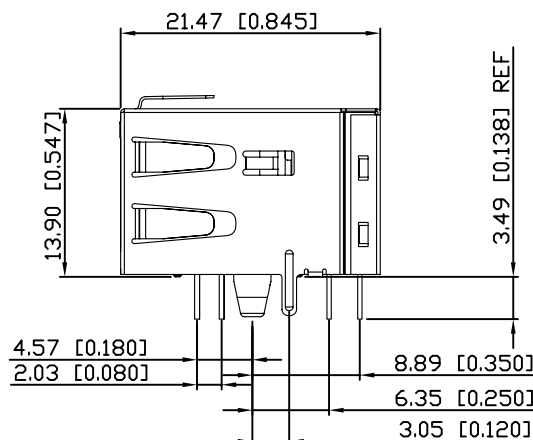
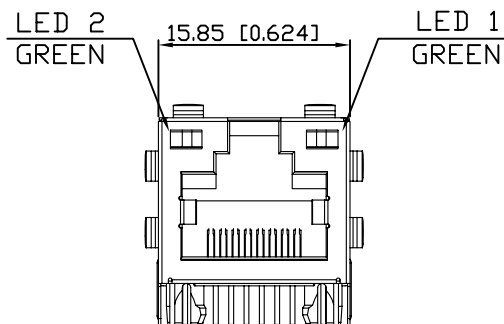


1. MECHANICAL DIMENSIONS :



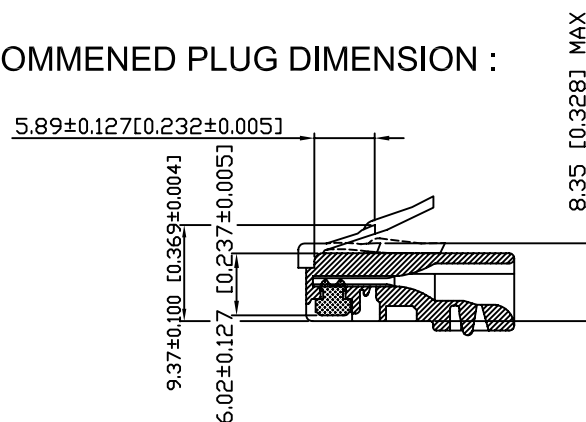
RECOMMENDED
PANEL CUTOUT DIMENSION



NOTES:

1. MATERIALS:
HOUSING: HIGH TEMPERATURE PBT UL94V-0 BLACK
CONTACTS: T=0.35 PHOSPHOR BORNZE, NICKEL UNDERPLATE ON ALL AREA, TIN ON TERMINATION END, HARD GOLD ON CONTACT AREA.
SHIELD: BRASS C2680-H T=0.20mm±0.01 FOGGED(50% SHINE SOLVENT) NICKEL 50μ' MIN PLATING.
2. OPERATING TEMPERATURE : 0°C~70°C
3. JACK CAVITY CONFORMS TO FCC RULES AND REGULATIONS PART 68, SUBPART F
4. UNSPECIFIED TOLERANCE: .XX ±0.25[0.010]
.X ±0.30[0.012]

RECOMMENED PLUG DIMENSION :

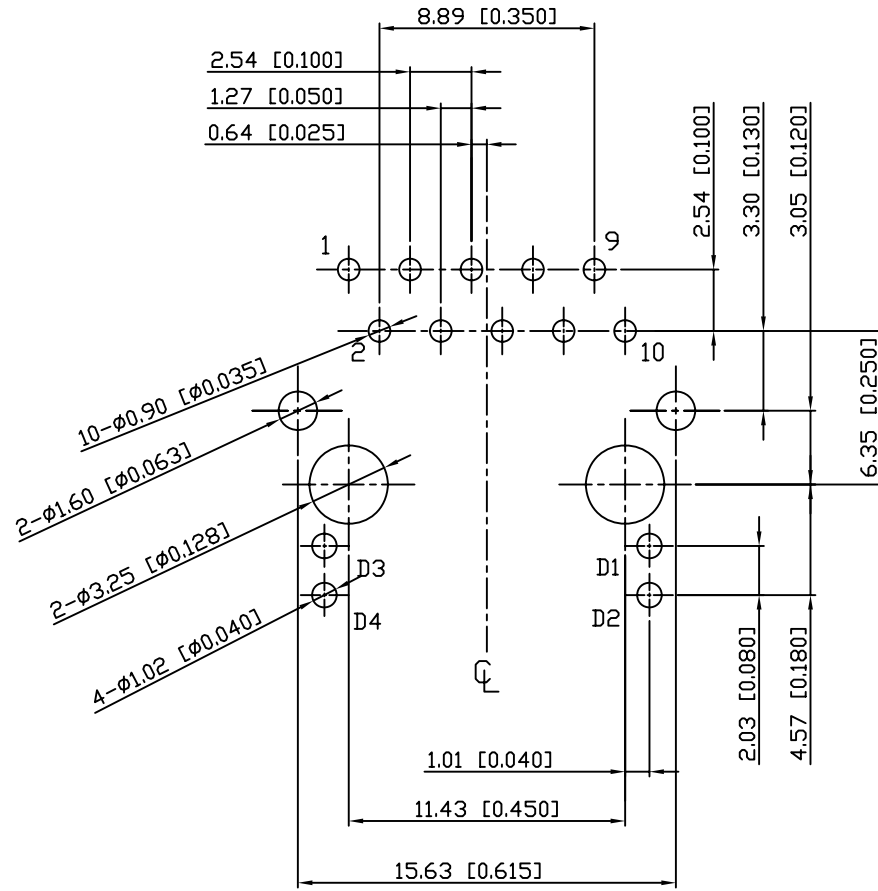


preliminary

RoHS Compliant

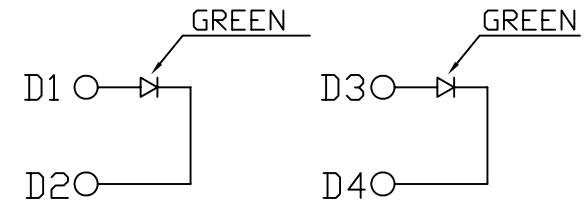
X MULTIPLE		CONNECTING THE INFORMATION AGE	
XMULTIPLE ASIA 4F, No. 347, Yang Guang St., Neihu, Taipei, Taiwan 11475		XMULTIPLE USA 1420 Los Angeles Ave., Suite G, Simi Valley, CA 93065	
THIS DRAWING IS A CONTROLLED DOCUMENT.		G/NO:	
TITLE: RJ45, w/LED, with 10/100 Mbps Filter 8P,10C, Shielded, Thru Hole, For PoE		DWG NO: XPJH-01F-5-PN1-170	
PART NO: XPJH-01F-5-PN1-170		DRAWN: TOM	
		CHKD: TARA	
		DATE: May.22,09	
UNIT mm[Inch]	SHEET 1 of 3	REV 01	

2. PCB LAYOUT



SUGGESTED PCB LAYOUT
(TOP VIEW)
DIMENSIONAL TOLERANCE: .XX ±0.08[0.003]

3. LED CONFIGURATION

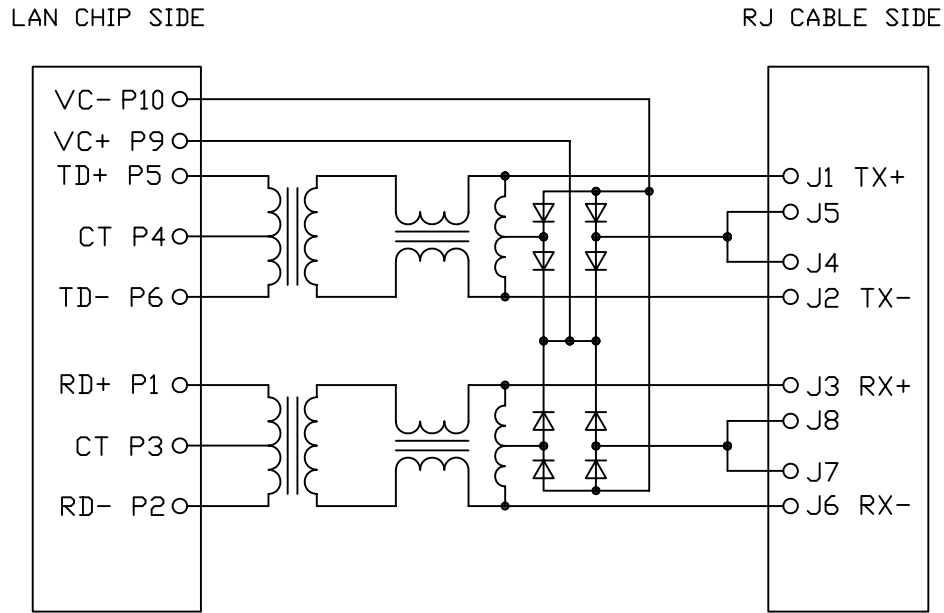


preliminary

RoHS Compliant

X MULTIPLE USA 1420 Los Angeles Ave., Suite G, Simi Valley, CA 93065		G/NO:	
THIS DRAWING IS A CONTROLLED DOCUMENT.			
TITLE: RJ45, w/LED, with 10/100 Mbps Filter 8P,10C, Shielded, Thru Hole, For PoE		DWG NO: XPJH-01F-5-PN1-170	
PART NO: XPJH-01F-5-PN1-170		DRAWN: TOM	
		UNIT: mm [Inch]	
		SHEET: 2 of 3	
DATE: May.22,09		REV: 01	
CHKD: TARA		DATE: May.22,09	

3. SCHEMATIC :



4. ELECTRICAL CHARACTERISTICS :

TEST NOTES:(25±5°C)

1.TR:(100KHz,0.1V);

PINS:(P5-P6):(J1-J2)=1:1±3%

PINS:(P1-P2):(J3-J6)=1:1±3%

2.LX:(100KHz,100mV,8mA, DC Bias)

PINS: (P5,P6),(P1,P2)=350uH MINIMUM

3.DCR:

PINS:(J1,J2),(J3,J6)=1.2 OHMS MAXIMUM

4.HIPOT:

PINS(P5,P4,P6)TO(J1,J2)=1500VAC FOR 60 SECONDS

PINS(P1,P3,P2)TO(J3,J6)=1500VAC FOR 60 SECONDS

5.INSERTION LOSS:

-1.0dB MAXIMUM AT 0.3MHz TO 100MHz;

6.RETURN LOSS:

-20dB MINIMUM AT 1MHz TO 30MHz;

-15dB MINIMUM AT 30MHz TO 60MHz

-10dB MINIMUM AT 60MHz TO 80MHz

7.CROSS TALK:

-30dB MINIMUM AT 1MHz TO 100MHz

8.COMMON TO COMMON MODE REJECTION:

-30dB MINIMUM AT 1MHz TO 100MHz

XPJH-01F-5-PN1-170

PRODUCT SERIES
XPJH : LATCH UP AND STACKED
FOR PoE TYPE

NUMBER OF PORTS
MECHANICAL TYPE
01F : XRJH 1 PORT, LENGTH=21.5mm,
STAGGERED PINS

LED COLOR OPTION

SPECIAL CODE
0 : STANDARD

SHIELDED TYPE
7 : EMI FINGER ON ALL SIDE

LED POLARITY
1 : +-, +-

CIRCUIT TYPE

RoHS Compliant

preliminary

X MULTIPLE			CONNECTING THE INFORMATION AGE	
X MULTIPLE ASIA 4F, No. 347, Yang Guang St., Neihu, Taipei, Taiwan 11475		X MULTIPLE USA 1420 Los Angeles Ave., Suite G, Simi Valley, CA 93065		G/NO:
THIS DRAWING IS A CONTROLLED DOCUMENT.				DWG NO: XPJH-01F-5-PN1-170
TITLE: RJ45, w/LED, with 10/100 Mbps Filter 8P,10C, Shielded, Thru Hole, For PoE				DRAWN: TOM
PART NO: XPJH-01F-5-PN1-170				CHKD: TARA
UNIT mm[Inch]		SHEET 3 of 3	REV 01	DATE: May.22,09