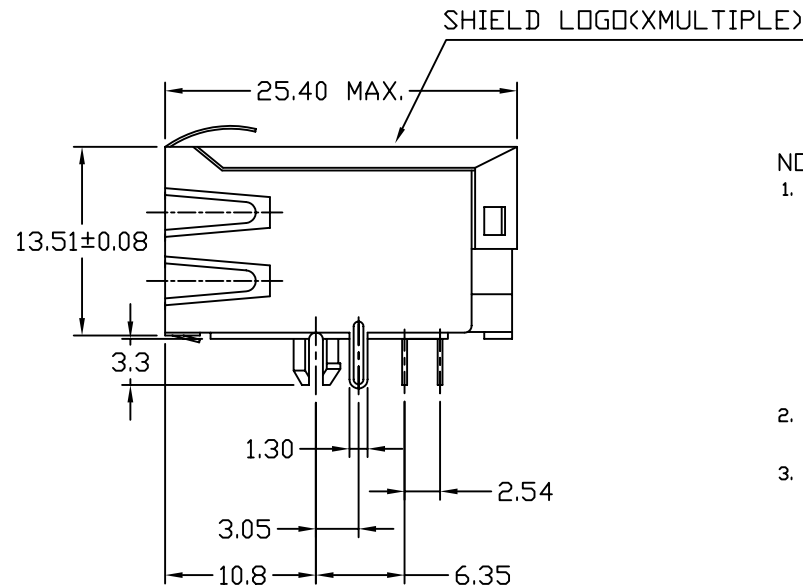
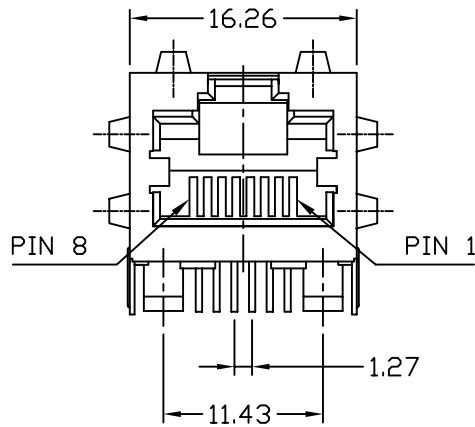
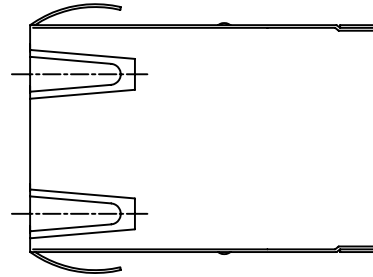


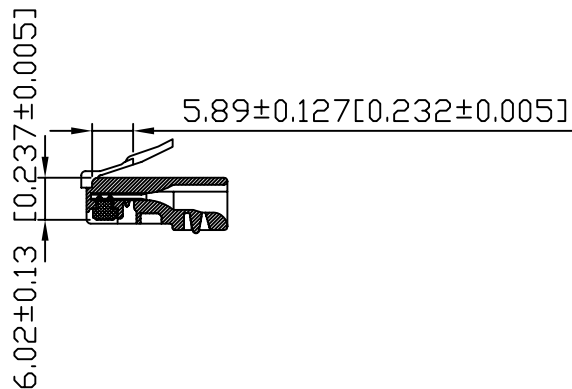
1. MECHANICAL DIMENSIONS :



NOTES:

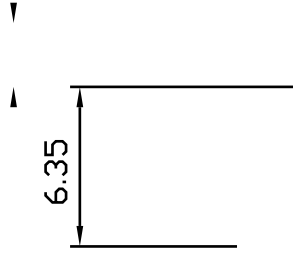
1. MATERIAL:
HOUSING-NYLON POLYESTER UL94V-0
MIXED GLASS FIBER.
STANDARD COLOR-BLACK
CONTACTS-0.35mm THICK PHOS-BRONZE PLATED
WITH 30u" GOLD AND TIN IN
SOLDER AREA.
SHIELD-0.20mm THICK COPPER ALLOY,
PLATED WITH NICKEL.
2. CAVITY CONFIRMS TO FCC RULES AND REGULATIONS
PART 68,SUBPART F.
3. UNSPECIFIED TOLERANCE: .XX ±0.25
.X ±0.30

RECOMMENED PLUG DIMENSION:



RoHS Compliant

		CONNECTING THE INFORMATION AGE	
XMULTIPLE ASIA 4F, No. 347, Yang Guang St., Neihu Chu, Taipei, Taiwan 11475		XMULTIPLE USA 1420 Los Angeles Ave., Suite G, Simi Valley, CA 93065	
THIS DRAWING IS A CONTROLLED DOCUMENT.		DWG NO: XPJH-01D-0-EJ1-070	
TITLE: RJ45, W/LED, with 10/100 Mbps Filter 8P,8C, Shielded, Thru Hole.		DRAWN: RUNES	
PART NO: XPJH-01D-0-EJ1-070		CHKD: JEFF	
		UNIT mm[inch]	SHEET 1 of 3
		REV 01	DATE: Mar.30,06



RoHS Compliant

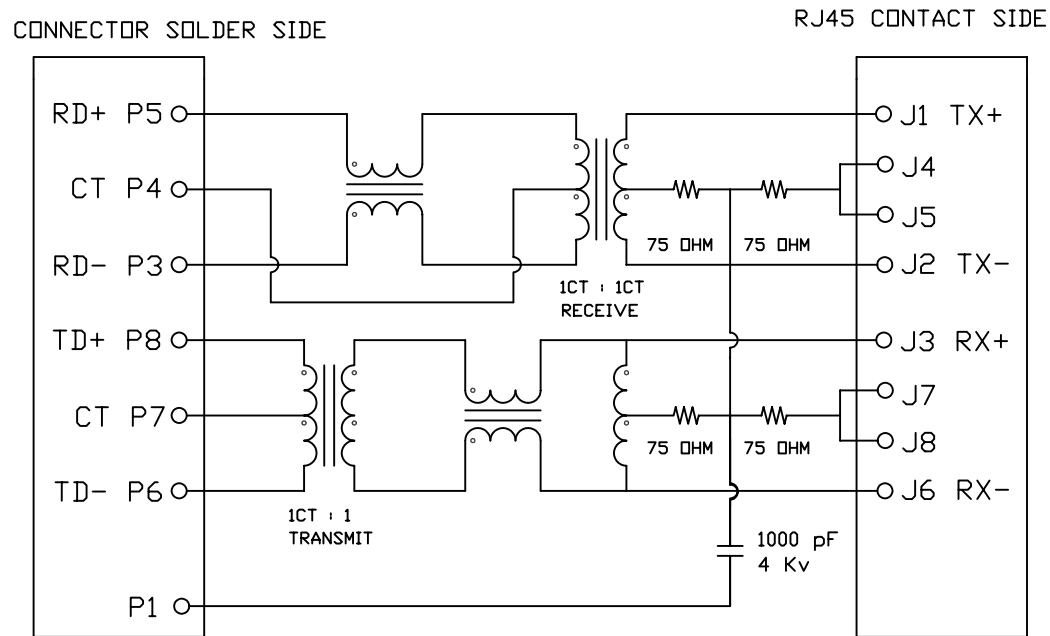
XRJH-01D-0-EJ1-070

RUNES

JEFF

Mar.30,06

3. SCHEMATIC :



4. ELECTRICAL CHARACTERISTICS :

TEST NOTES:(25±5°C)

1.TR:(100KHz,0.1V);

PINS:(P5-P3):(J1-J2)=1:1±3%

PINS:(P8-P6):(J3-J6)=1:1±3%

2.LX:(100KHz,100mV,8mA, DC Bias)

PINS:(P5,P3),(P8,P6)=350uH MINIMUM

3.DCR:

PINS:(P5-P3),(J1-J2),(J3-J6)= 1.0 OHMS MAXIMUM

PINS:(P8-P6)=1.2 OHMS MAXIMUM

4.HIPOT:

PINS(P5,P4,P3)TO(J1,J2)=1500VAC FOR 60 SECONDS

PINS(P8,P7,P6)TO(J3,J6)=1500VAC FOR 60 SECONDS

5.INSERTION LOSS:

-1.0dB MAXIMUM AT 0.3MHz TO 100MHz;

6.RETURN LOSS:

-20dB MINIMUM AT 1MHz TO 30MHz;

-15dB MINIMUM AT 30MHz TO 60MHz

-10dB MINIMUM AT 60MHz TO 80MHz

7.CROSS TALK:

-30dB MINIMUM AT 1MHz TO 100MHz

8.COMMON TO COMMON MODE REJECTION:

-30dB MINIMUM AT 1MHz TO 100MHz

XRJH-01D-0-EJ1-070

PRODUCT SERIES
XRJH : TAB UP AND STACKED

NUMBER OF PORTS
MECHANICAL TYPE
01D : XRJH 1 PORT, LENGTH=25.4mm,
STAGGERED PINS

LED COLOR OPTION

PROTOCOL TYPE
E : 10/100 Mbps, 5 CORE

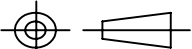
SPECIAL CODE
0 : STANDARD

SHIELDED TYPE
7 : EMI FINGER ON ALL SIDE

LED POLARITY
0 : W/O LED

CIRCUIT TYPE

RoHS Compliant

X MULTIPLE		CONNECTING THE INFORMATION AGE	
MULTIPLE ASIA 4F, No. 347, Yang Guang St., Neihu Chu, Taipei, Taiwan 11475		MULTIPLE USA 1420 Los Angeles Ave., Suite G, Simi Valley, CA 93065	
THIS DRAWING IS A CONTROLLED DOCUMENT.		DWG NO: XPJH-01D-0-EJ1-070	
TITLE: RJ45, W/LED, with 10/100 Mbps Filter 8P,8C, Shielded, Thru Hole.		DRAWN: RUNES	
PART NO: XPJH-01D-0-EJ1-070		CHKD: JEFF	
		UNIT mm[inch]	SHEET 3 of 3
		REV 01	DATE: Mar.30,06