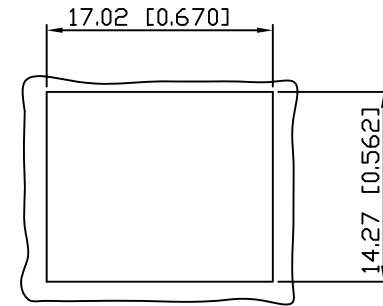
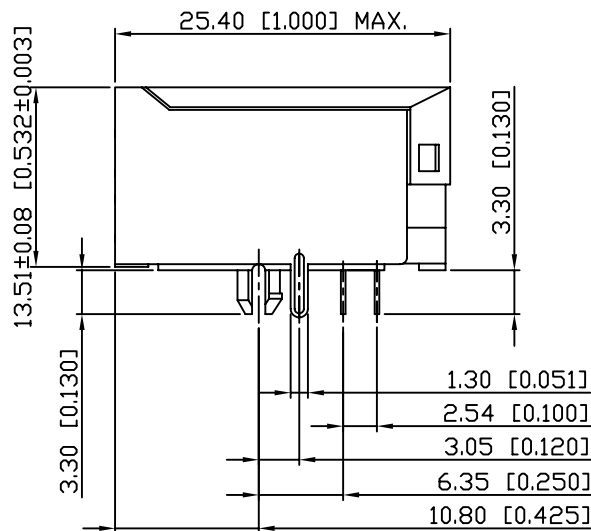
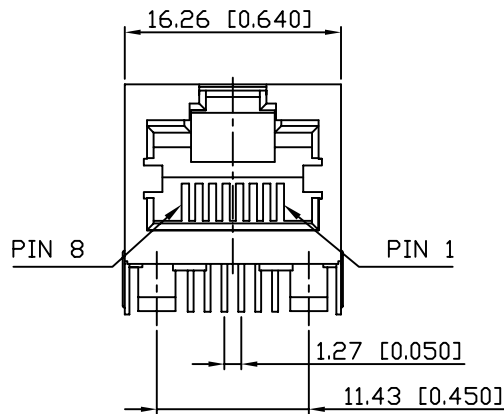


1. MECHANICAL DIMENSIONS :



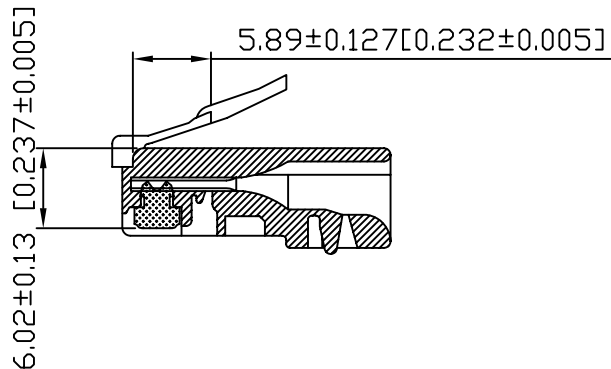
RECOMMENDED
PANEL CUTOUT DIMENSION



NOTES:

1. MATERIAL:
HOUSING-NYLON POLYESTER UL94V-0
MIXED GLASS FIBER.
STANDARD COLOR-BLACK
CONTACTS-0.35mm THICK PHOS-BRONZE PLATED
WITH 15u' GOLD AND TIN IN
SOLDER AREA.
SHIELD-0.20mm THICK COPPER ALLOY,
PLATED WITH NICKEL.
2. OPERATING TEMPERATURE : 0°C~70°C
3. CAVITY CONFORMS TO FCC RULES AND REGULATIONS
PART 68,SUBPART F.
4. UNSPECIFIED TOLERANCE: .XX ±0.25 [0.010]
.X ±0.30 [0.012]

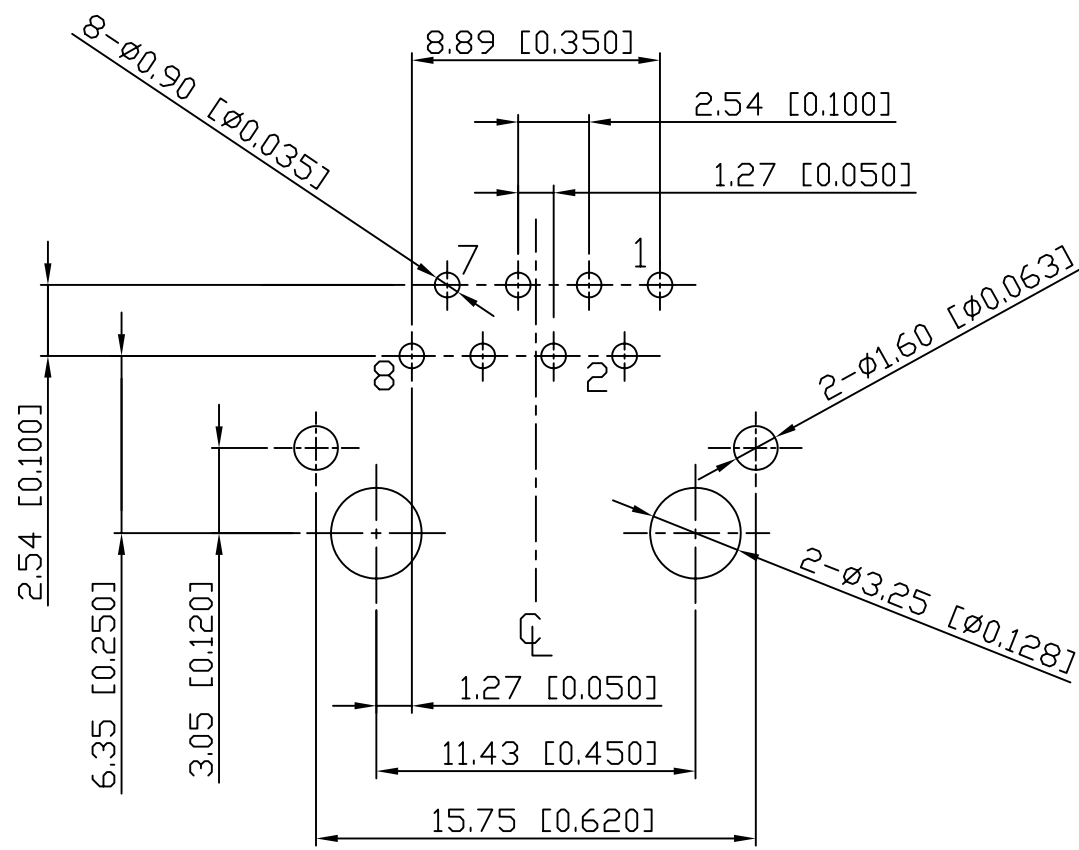
RECOMMENED PLUG DIMENSION:



RoHS Compliant


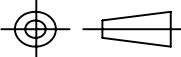
		CONNECTING THE INFORMATION AGE	
XMULTIPLE ASIA 4F, No. 347, Yang Guang St., Neihu Chu, Taipei, Taiwan 11475		XMULTIPLE USA 1420 Los Angeles Ave., Suite G, Simi Valley, CA 93065	
THIS DRAWING IS A CONTROLLED DOCUMENT.		DWG NO: XRJH-01D-0-D61-080	
TITLE: RJ45, W/O LED, with 10/100 Mbps Filter 8P,8C, Shielded, Thru Hole.		DRAWN: LEON	
PART NO: XRJH-01D-0-D61-080		CHKD: JEFF	
		UNIT mm[inch]	SHEET 1 of 3
		REV 01	DATE: Sep.04,07

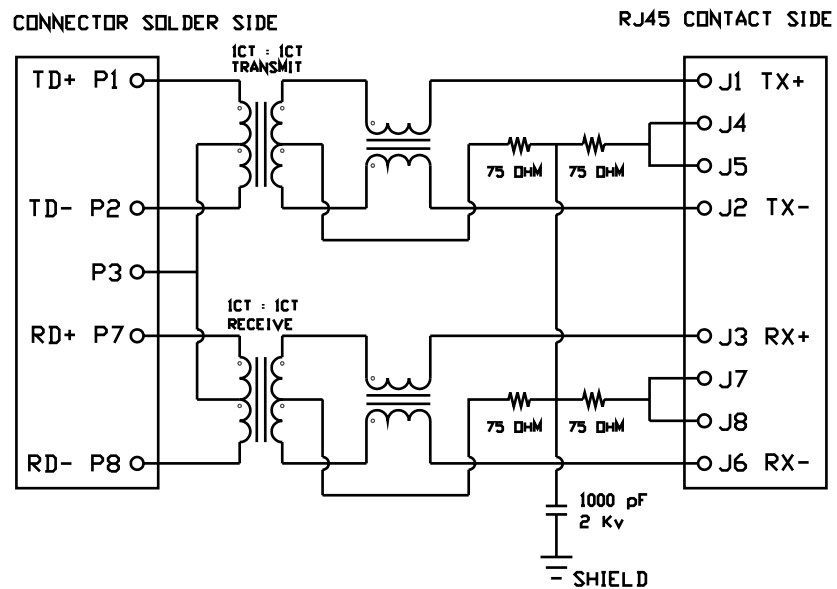
2. PCB LAYOUT :



SUGGESTED PCB LAYOUT
(TOP VIEW)
DIMENSIONAL TOLERANCE: .XX ±0.08[0.003]

RoHS Compliant

		CONNECTING THE INFORMATION AGE	
XMULTIPLE ASIA 4F, No. 347, Yang Guang St., Neihu Chiu, Taipei, Taiwan 11475		XMULTIPLE USA 1420 Los Angeles Ave., Suite G, Simi Valley, CA 93065	
THIS DRAWING IS A CONTROLLED DOCUMENT.		G/NO:	
TITLE: RJ45, W/O LED, with 10/100 Mbps Filter 8P,8C, Shielded, Thru Hole.		DWG NO: XRJH-01D-0-D61-080	
PART NO: XRJH-01D-0-D61-080		DRAWN: LEON	
		UNIT mm[inch]	SHEET 2 of 3
		REV 01	CHKD: JEFF
			DATE: Sep.04,07



TEST NOTES:($25 \pm 5^\circ\text{C}$)

1.TR:(100KHz,0.1V);

PINS:(P1-P2):(J1-J2)=1:1 \pm 3%

PINS:(P7-P8):(J3-J6)=1:1 \pm 3%

2.LX:(100KHz,100mV,8mA, DC Bias)

PINS: (P1,P2),(P7,P8)=350uH MINIMUM

3.DCR:

),(J3-J6)= 1.2 OHMS MAXIMUM

4.HIPOT:

5.INSERTION LOSS:

-1.0dB MAXIMUM AT 0.3MHz TO 100MHz;

6.RETURN LOSS:

-20dB MINIMUM AT 1MHz TO 30MHz;

-15dB MINIMUM AT 30MHz TO 60MHz

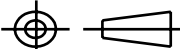
-10dB MINIMUM AT 60MHz TO 80MHz

7.CROSS TALK:

-30dB MINIMUM AT 1MHz TO 100MHz

8.COMMON TO COMMON MODE REJECTION:

-30dB MINIMUM AT 1MHz TO 100MHz

X MULTIPLE		CONNECTING THE INFORMATION AGE		
<small>XMULTIPLE ASIA</small> <small>4F, No. 347, Yang Guang St.</small> <small>Neihu Dist., Taipei, Taiwan 11475</small>		<small>XMULTIPLE USA</small> <small>1420 Los Angeles Ave., Suite G.</small> <small>San Valley, CA 93065</small>		G/NO:
THIS DRAWING IS A CONTROLLED DOCUMENT.				
TITLE: RJ45, W/O LED, with 10/100 Mbps Filter 8P,8C, Shielded, Thru Hole.				
PART NO: XRJH-01D-0-D61-080				
		UNIT	SHEET	REV
		mm/inch 1	3 of 3	01
				DATE: Sep.04.07
				CHKD: JEFF
				DWG NO: XRJH-01D-0-D61-080
				DRAWN: LEON