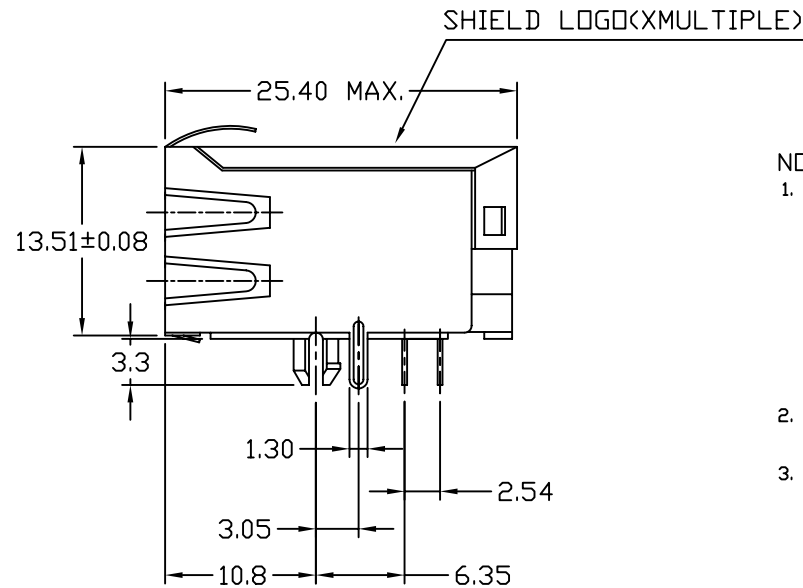
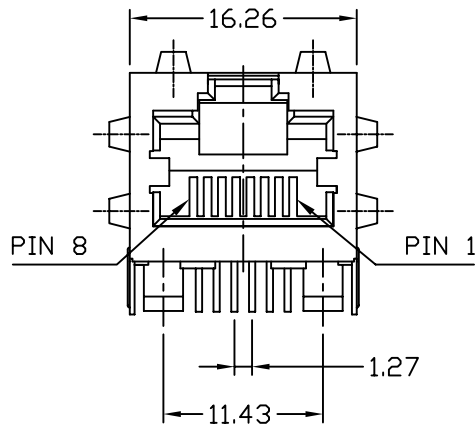
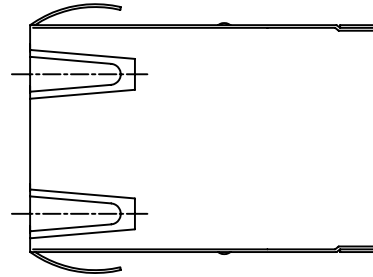


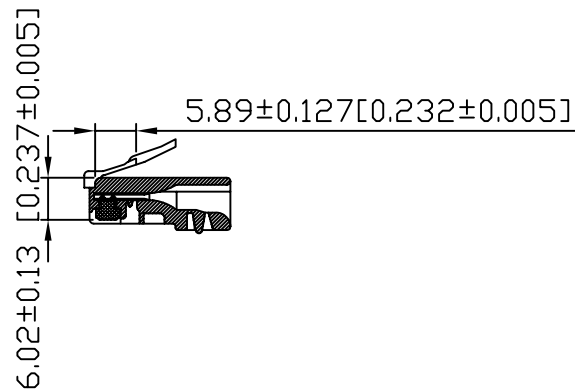
1. MECHANICAL DIMENSIONS :



NOTES:

1. MATERIAL:  
HOUSING-NYLON POLYESTER UL94V-0  
MIXED GLASS FIBER.  
STANDARD COLOR-BLACK  
CONTACTS-0.35mm THICK PHOS-BRONZE PLATED  
WITH 30u" GOLD AND TIN IN  
SOLDER AREA.  
SHIELD-0.20mm THICK COPPER ALLOY,  
PLATED WITH NICKEL.
2. CAVITY CONFIRMS TO FCC RULES AND REGULATIONS  
PART 68,SUBPART F.
3. UNSPECIFIED TOLERANCE: .XX ±0.25  
.X ±0.30

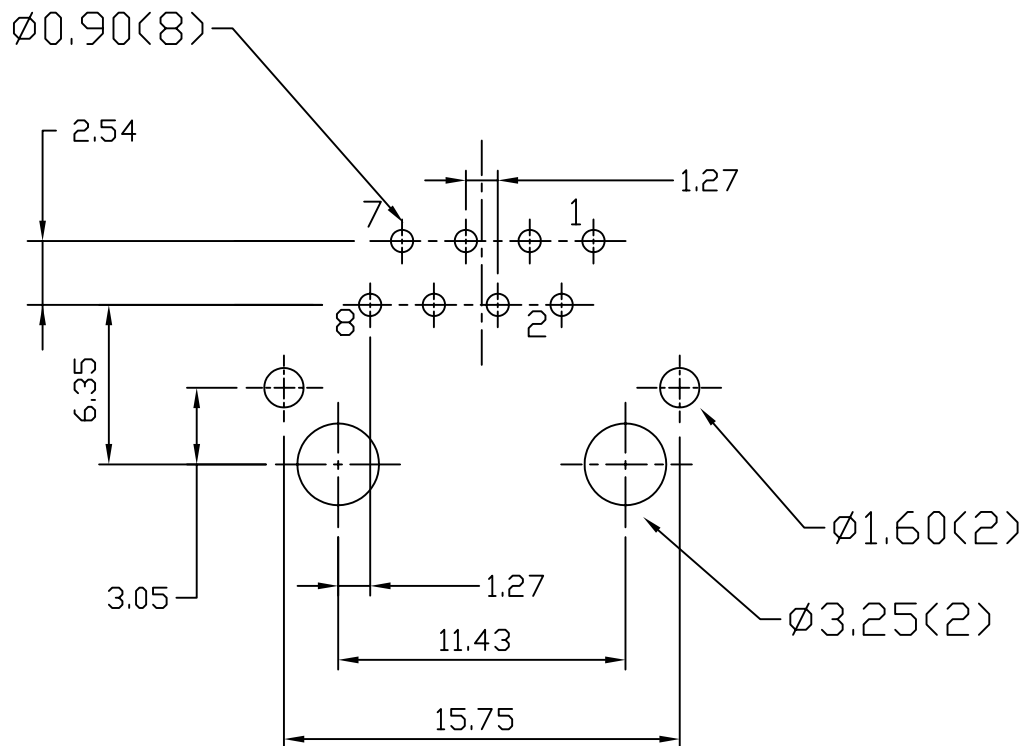
RECOMMENED PLUG DIMENSION:



RoHS Compliant



X MULTIPLE		CONNECTING THE INFORMATION AGE	
XMULTIPLE ASIA 4F, No. 347, Yang Guang St., Neihu Chu, Taipei, Taiwan 11475		XMULTIPLE USA 1420 Los Angeles Ave., Suite G, Simi Valley, CA 93065	
THIS DRAWING IS A CONTROLLED DOCUMENT.		G/NO:	
TITLE: RJ45, W/O LED, with 10/100 Mbps Filter 8P,8C, Shielded, Thru Hole.		DWG NO: XRJH-01D-0-D46-071	
PART NO: XRJH-01D-0-D46-071		DRAWN: LEON	
		CHKD: JEFF	
		DATE: Apr.10,06	
UNIT mm[inch]		SHEET 1 of 3	
		REV 01	

## 2. PCB LAYOUT :



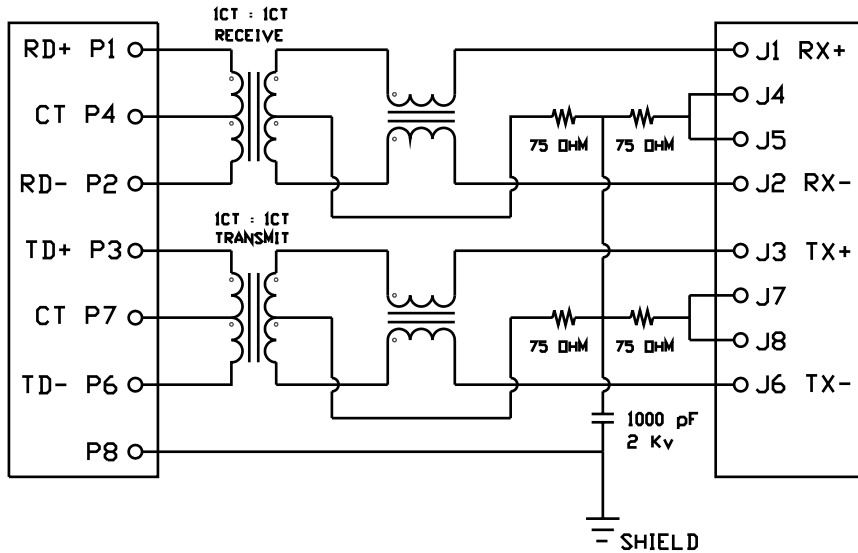
SUGGESTED PCB LAYOUT  
(TOP VIEW)

# RoHS Compliant

		CONNECTING THE INFORMATION AGE	
XMULTIPLE ASIA 4F, No. 347, Yang Guang St., Neihu Chu, Taipei, Taiwan 11475		XMULTIPLE USA 1420 Los Angeles Ave., Suite G, Simi Valley, CA 93065	
THIS DRAWING IS A CONTROLLED DOCUMENT.		G/NO:	
TITLE: RJ45, W/O LED, with 10/100 Mbps Filter 8P,8C, Shielded, Thru Hole.		DWG NO: XRJH-01D-0-D46-071	
PART NO: XRJH-01D-0-D46-071		DRAWN: LEON	
		UNIT mm [inch ]	SHEET 2 of 3
		REV 01	DATE: Apr.10,06

CONNECTOR SOLDER SIDE

RJ45 CONTACT SIDE



TEST NOTES:(25±5°C)

1.TR:(100KHz,0.1V);

PINS:(P3-P6):(J3-J6)=1:1±3%

PINS:(P1-P2):(J1-J2)=1:1±3%

2.LX:(100KHz,100mV,8mA, DC Bias)

PINS:(P1,P2),(P3,P6)=350uH MINIMUM

3.DCR:

PINS:(P3-P6),(J1-J2),(J3-J6)= 1.0 OHMS MAXIMUM

PINS:(P1-P2)=1.2 OHMS MAXIMUM

4.HIPOT:

PINS(P3,P7,P6)TO(J3,J6)=1500VAC FOR 60 SECONDS

PINS(P1,P4,P2)TO(J1,J2)=1500VAC FOR 60 SECONDS

5.INSERTION LOSS:

-1.0dB MAXIMUM AT 0.3MHz TO 100MHz;

6.RETURN LOSS:

-20dB MINIMUM AT 1MHz TO 30MHz;

-15dB MINIMUM AT 30MHz TO 60MHz

-10dB MINIMUM AT 60MHz TO 80MHz

7.CROSS TALK:

-30dB MINIMUM AT 1MHz TO 100MHz

8.COMMON TO COMMON MODE REJECTION:

-30dB MINIMUM AT 1MHz TO 100MHz

9.OPERATING TEMPERATURE : -40°C ~ +85°C

1

PRODUCT SERIES

XRJH : TAB UP AND STACKED

SPECIAL CODE

1 : OPERATING TEMPERATURE

-40°C ~ +85°C

7 : EMI FINGER ON ALL SIDE

0 : W/O LED

OID : XRJH 1 PORT, LENGTH=25.4mm,  
STAGGERED PINS

D : 10/100 Mbps, 4 CORE

<h1>X MULTIPLE</h1>		CONNECTING THE INFORMATION AGE	
X MULTIPLE ASIA 4F, No. 347, Yang Guang St. Neihu Dist., Taipei, Taiwan 11475		X MULTIPLE USA 1420 Los Angeles Ave., Suite G. San Valley, CA 93065	
THIS DRAWING IS A CONTROLLED DOCUMENT.		G/NO:	
TITLE: RJ45, W/O LED, with 10/100 Mbps Filter 8P,8C, Shielded, Thru Hole.		DWG NO: XRJH-01D-0-D46-071	
PART NO: XRJH-01D-0-D46-071		DRAWN: LEON	
UNIT: mm/inch 1		SHEET: 3 of 3	
REV: 01		CHKD: JEFF	
		DATE: Apr.10.06	