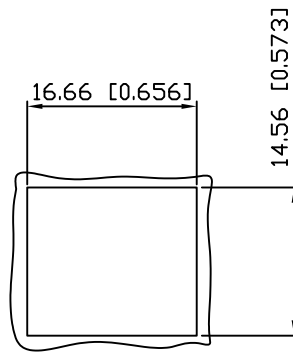


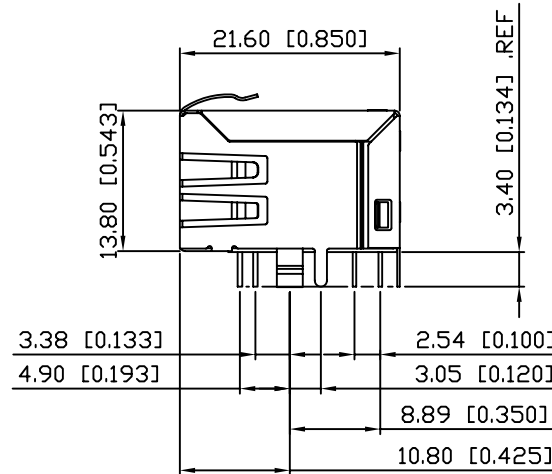
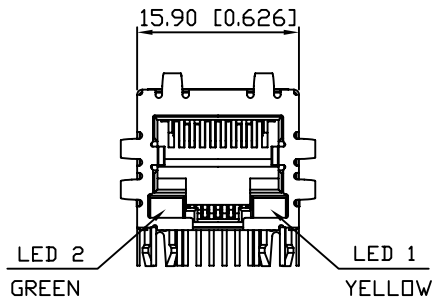
1. MECHANICAL DIMENSIONS :



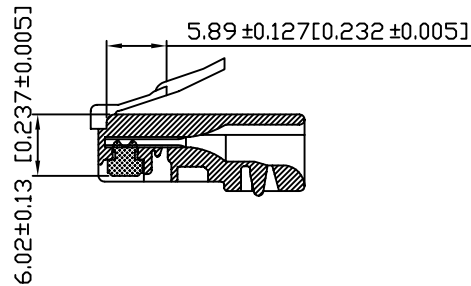
RECOMMENDED  
PANEL CUTOUT DIMENSION

NOTES:

- MATERIALS:  
HOUSING: PBT POLYESTER UL94V-0  
MIXED GLASS FIBER.  
STANDARD COLOR-BLACK.  
CONTACTS: 0.35mm THICK PHOS-BRONZE PLATED  
WITH 15u" GOLD IN CONTACT AREA AND TIN IN  
SOLDER AREA, UNDERPLATED WITH NICKEL  
IN ALL AREA.  
SHIELD: 0.25mm THICK COPPER ALLOY,  
PLATED WITH NICKEL.
- OPERATING TEMPERATURE: 0°C~70°C
- CAVITY CONFORMS TO FCC RULES AND REGULATIONS  
PART 68, SUBPART F
- UNSPECIFIED TOLERANCE: .XX ±0.25[0.010]  
.X ±0.30[0.012]



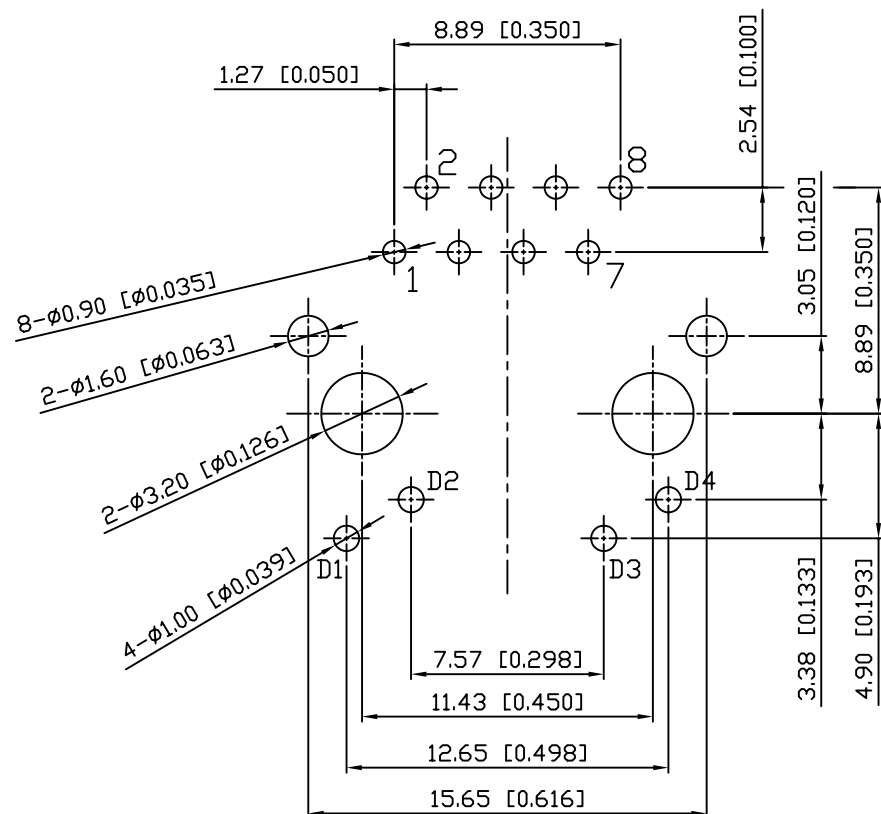
RECOMMENDED PLUG DIMENSION:



RoHS Compliant

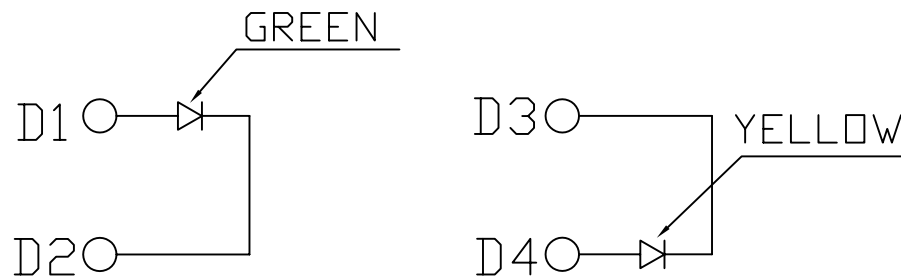
<b>XMULTIPLE</b>		CONNECTING THE INFORMATION AGE	
XMULTIPLE ASIA 4F, No. 347, Yang Guang St., Neihu, Taipei, Taiwan 11475		XMULTIPLE USA 1420 Los Angeles Ave., Suite G, Simi Valley, CA 93065	
THIS DRAWING IS A CONTROLLED DOCUMENT.		G/NO:	
TITLE: SINGLE PORT, RJ45, SHIELDED, WITH LED WITH TRANSFORMER, SIDE ENTRY PCB JACK		DWG NO: XRJG-01K-4-D22-210-MC	
PART NO: XRJG-01K-4-D22-210-MC		DRAWN: IVAN	
		CHKD: JEFF	
		DATE: Feb.13,08	
UNIT mm[Inch]	SHEET 1 of 3	REV 01	

## 2. PCB LAYOUT :



SUGGESTED PCB LAYOUT  
(TOP VIEW)  
DIMENSIONAL TOLERANCE: .XX ±0.08[0.003]

## 3. LED CONFIGURATION :



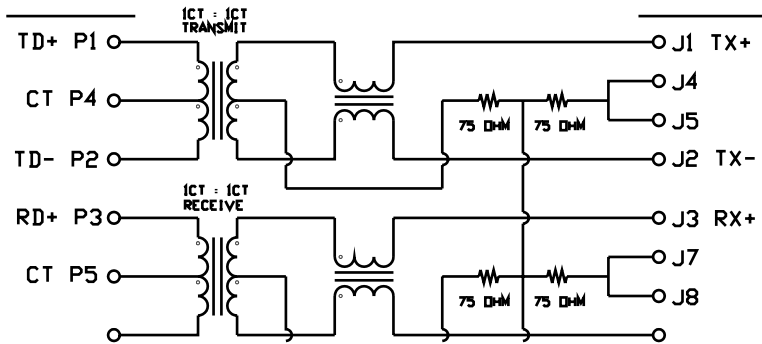
Color	Lens Color	Vf(v) @20mA		Iv(mcd) @10mA		Viewing angle 2θ 1/2	If (mA)	Peak wave Length λP(nm)
		Min	Max	Min	Typ			
Yellow	Yellow Diffused	1.7	2.8	3.0	6.0	116	20	585
Green	Green Diffused	1.7	2.8	3.5	6.0	116	20	568

# RoHS Compliant

		CONNECTING THE INFORMATION AGE		
				XMULTIPLE ASIA 4F, No. 347, Yang Guang St., Neihu, Taipei, Taiwan 11475
THIS DRAWING IS A CONTROLLED DOCUMENT.				DWG NO: XRJG-01K-4-D22-210-MC
TITLE: SINGLE PORT, RJ45, SHIELDED, WITH LED WITH TRANSFORMER, SIDE ENTRY PCB JACK			DRAWN: IVAN	
PART NO: XRJG-01K-4-D22-210-MC			CHKD: JEFF	
		UNIT mm[Inch]	SHEET 2 of 3	REV 01
DATE: Feb.13,08				

CONNECTOR SOLDER SIDE

RJ45 CONTACT SIDE



3.DCR:

4.HIPOT:

DS

-1.0dB MAXIMUM AT 0.3MHz TO 100MHz;

-20dB MINIMUM AT 1MHz TO 30MHz;

└ CUSTOMER CODE

SINGLE PORT, RJ45, SHIELDED, WITH LED  
WITH TRANSFORMER, SIDE ENTRY PCB JACK

XRJG-01K-4-D22-210-MC

XRJG-01K-4-D22-210-MC

IVAN

Feb.13.08