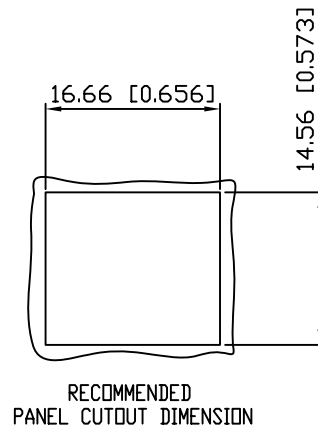
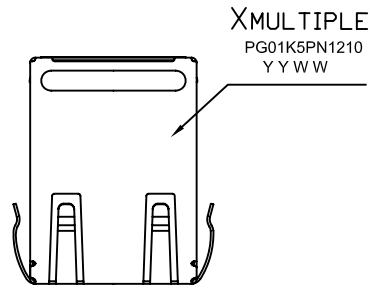


1. MECHANICAL DIMENSIONS :



NOTES:

1. MATERIALS:

HOUSING: PBT POLYESTER UL94V-0
MIXED GLASS FIBER.
STANDARD COLOR-BLACK.

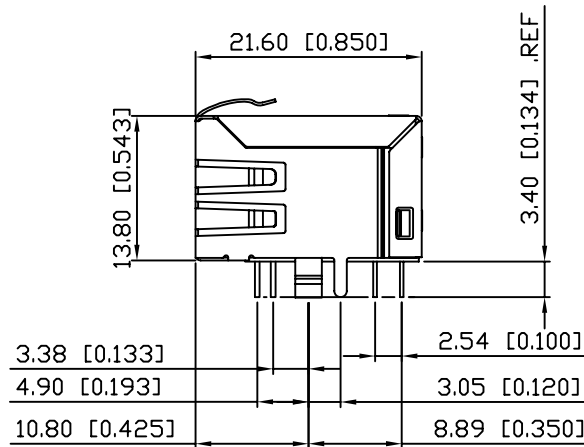
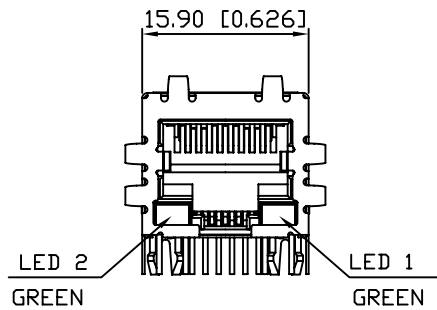
CONTACTS: 0.35mm THICK PHOS-BRONZE PLATED
WITH HARD GOLD IN CONTACT AREA AND TIN IN
SOLDER AREA, UNDERPLATED WITH NICKEL
IN ALL AREA.

SHIELD: 0.25mm THICK COPPER ALLOY,
PLATED WITH NICKEL.

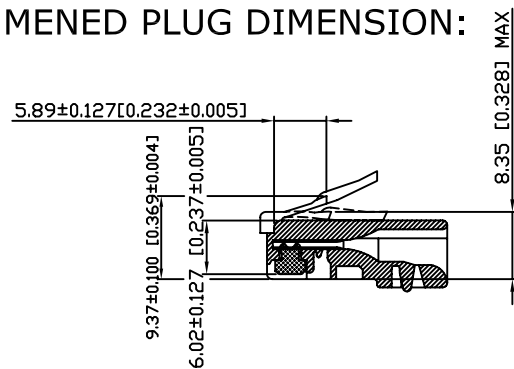
2. OPERATING TEMPERATURE: 0°C~70°C

3. CAVITY CONFORMS TO FCC RULES AND REGULATIONS
PART 68, SUBPART F

4. UNSPECIFIED TOLERANCE: .XX ±0.25[0.010]
.X ±0.30[0.012]



RECOMMENED PLUG DIMENSION:

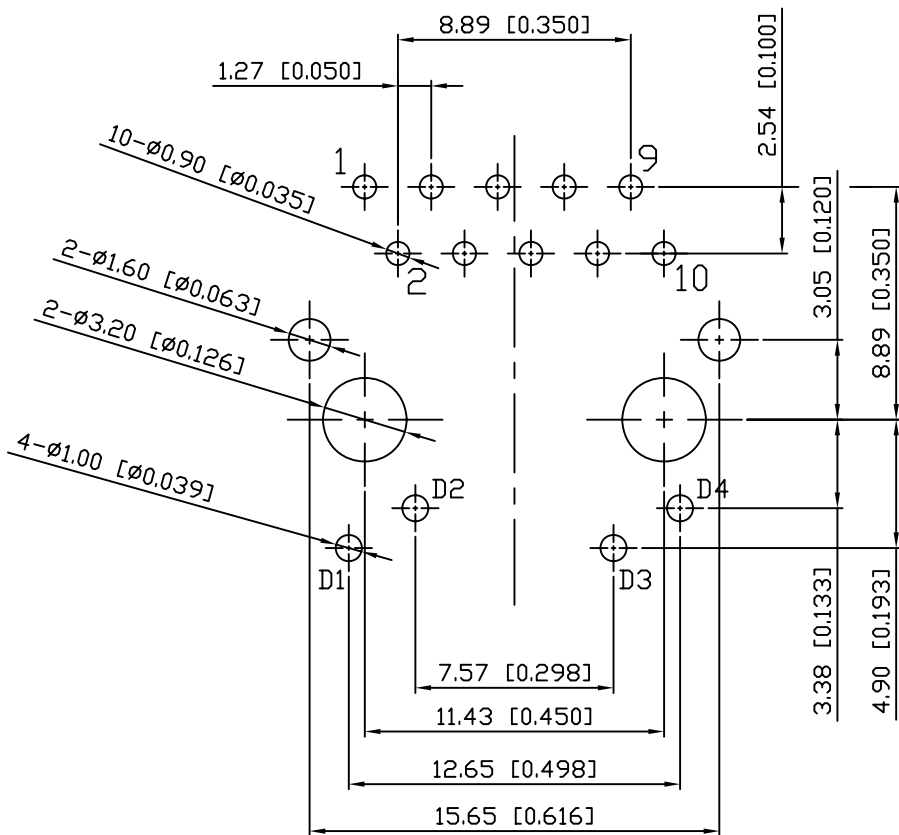


RoHS Compliant

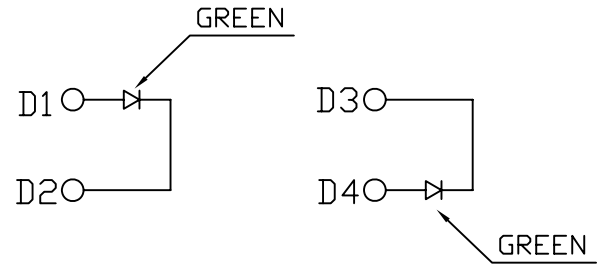
			CONNECTING THE INFORMATION AGE	
XMULTIPLE ASIA 4F, No. 347, Yang Guang St., Neihu, Taipei, Taiwan 11475		XMULTIPLE USA 1420 Los Angeles Ave., Suite G, Simi Valley, CA 93065		G/NO:
THIS DRAWING IS A CONTROLLED DOCUMENT.				DWG NO: XPJG-01K-5-PN1-210
TITLE:		RJ45 Connectors, w/LED, 8P, 10C, Shielded/Thru Hole/10/100 Mbps FILTER, FOR PoE		DRAWN: TOM
PART NO:		XPJG-01K-5-PN1-210		CHKD: TARA
	UNIT	SHEET	REV	DATE: May.22,09
	mm[Inch]	1 of 3	01	

2. PCB LAYOUT :

3. LED CONFIGURATION :



SUGGESTED PCB LAYOUT
(TOP VIEW)
DIMENSIONAL TOLERANCE: .XX ±0.08[0.003]

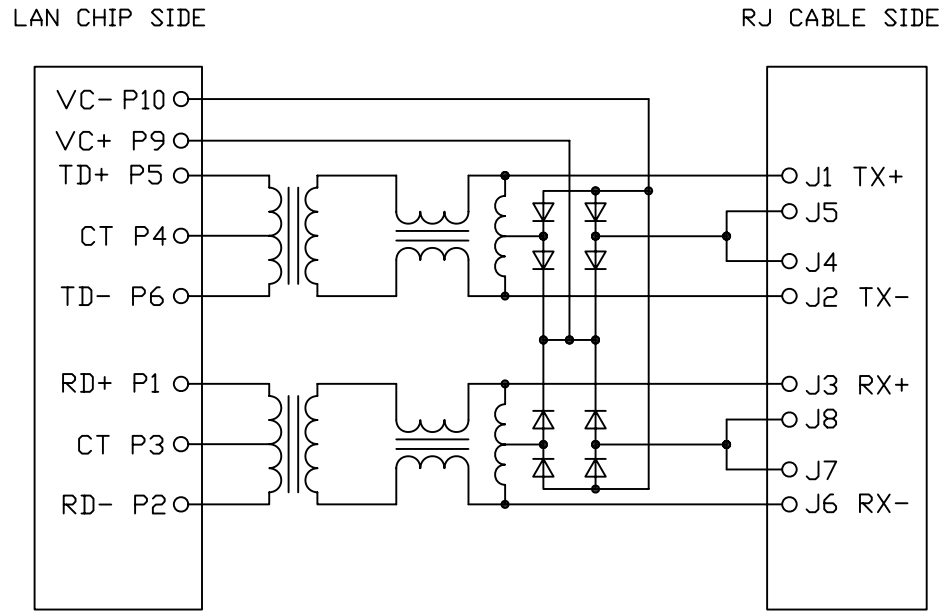


RoHS Compliant

		CONNECTING THE INFORMATION AGE		
				XMULTIPLE ASIA 4F, No. 347, Yang Guang St., Neihu, Taipei, Taiwan 11475
THIS DRAWING IS A CONTROLLED DOCUMENT.				DWG NO: XPJG-01K-5-PN1-210
TITLE: RJ45 Connectors, w/LED, 8P, 10C, Shielded/Thru Hole/10/100 Mbps FILTER, FOR PoE		DRAWN: TOM		
PART NO: XPJG-01K-5-PN1-210		CHKD: TARA		
		UNIT mm[Inch]	SHEET 2 of 3	
		REV 01	DATE: May.22,09	

4. SCHEMATIC:

5. ELECTRICAL CHARACTERISTICS :



TEST NOTES:(25±5°C)

1.TR:(100KHz,0.1V);

PINS:(P5-P6):(J1-J2)=1:1±3%

PINS:(P1-P2):(J3-J6)=1:1±3%

2.LX:(100KHz,100mV,8mA, DC Bias)

PINS: (P5,P6),(P1,P2)=350uH MINIMUM

3.DCR:

PINS:(J1,J2),(J3,J6)=1.2 OHMS MAXIMUM

4.HIPOT:

PINS(P5,P4,P6)TO(J1,J2)=1500VAC FOR 60 SECONDS

PINS(P1,P3,P2)TO(J3,J6)=1500VAC FOR 60 SECONDS

5.INSERTION LOSS:

-1.0dB MAXIMUM AT 0.3MHz TO 100MHz;

6.RETURN LOSS:

-20dB MINIMUM AT 1MHz TO 30MHz;

-15dB MINIMUM AT 30MHz TO 60MHz

-10dB MINIMUM AT 60MHz TO 80MHz

7.CROSS TALK:

-30dB MINIMUM AT 1MHz TO 100MHz

8.COMMON TO COMMON MODE REJECTION:

-30dB MINIMUM AT 1MHz TO 100MHz

XPJG-01K-5-PN1-210

PRODUCT SERIES
XPJG : LATCH DOWN WITH LED
FOR PoE TYPE

NUMBER OF PORTS
MECHANICAL TYPE
01K : XRJG 1 PORT W/OBLIQUE
LED PIN

LED COLOR OPTION

CIRCUIT TYPE

SPECIAL CODE
0 : STANDARD

SHIELDED TYPE
1 : Y=3.05mm, EMI FINGER
ON ALL SIDE

LED POLARITY
2 : +-, -+



RoHS Compliant

X MULTIPLE		CONNECTING THE INFORMATION AGE	
X MULTIPLE ASIA 4F, No. 347, Yang Guang St., Neihu, Taipei, Taiwan 11475		X MULTIPLE USA 1420 Los Angeles Ave., Suite G, Simi Valley, CA 93065	
THIS DRAWING IS A CONTROLLED DOCUMENT.		G/NO:	
TITLE: RJ45 Connectors, w/LED, 8P, 10C, Shielded/Thru Hole/10/100 Mbps FILTER, FOR PoE		DWG NO: XPJG-01K-5-PN1-210	
PART NO: XPJG-01K-5-PN1-210		DRAWN: TOM	
		CHKD: TARA	
		DATE: May.22,09	
UNIT mm[Inch]	SHEET 3 of 3	REV 01	