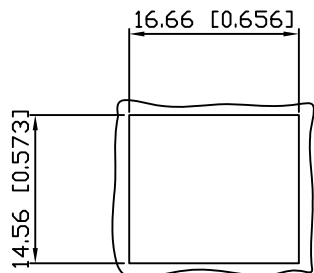
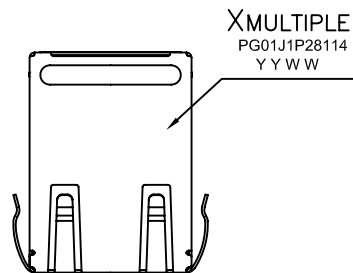


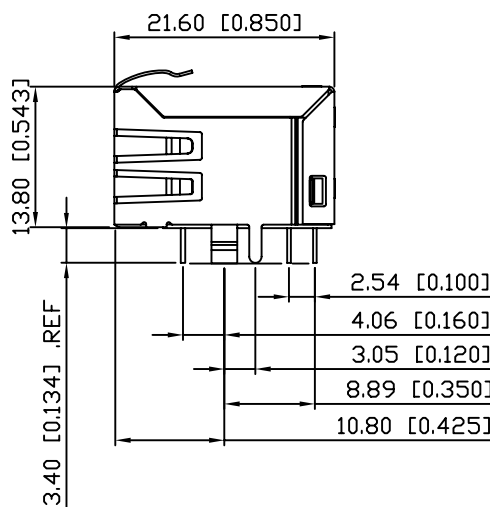
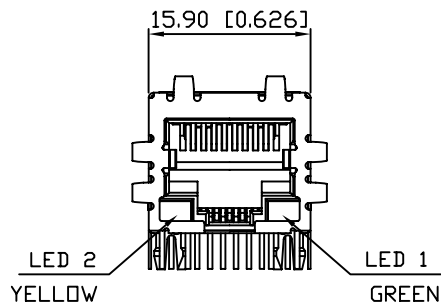
1. MECHANICAL DIMENSIONS :



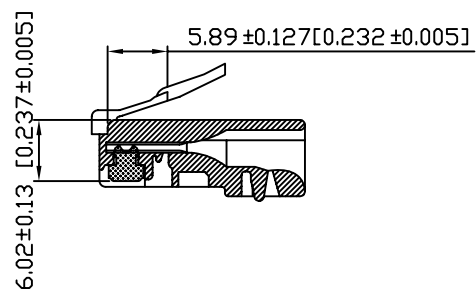
RECOMMENDED
PANEL CUTOUT DIMENSION

NOTES:

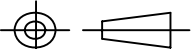
- MATERIALS:
HOUSING: PBT POLYESTER UL94V-0
MIXED GLASS FIBER.
STANDARD COLOR-BLACK.
CONTACTS: 0.35mm THICK PHOS-BRONZE PLATED
WITH 15u' GOLD AND TIN
IN SOLDER AREA.
SHIELD: 0.25mm THICK COPPER ALLOY,
PLATED WITH NICKEL.
- OPERATING TEMPERATURE: 0°C ~ +70°C
- CAVITY CONFORMS TO FCC RULES AND REGULATIONS
PART 68, SUBPART F.
- UNSPECIFIED TOLERANCE: .XX ±0.25[0.010]
.X ±0.30[0.012]



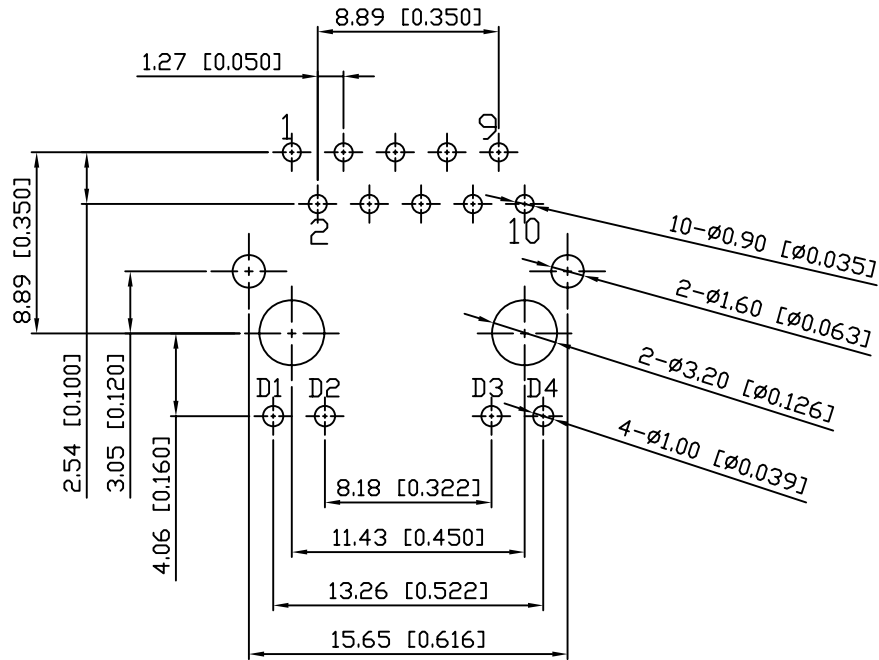
RECOMMENED PLUG DIMENSION:



RoHS Compliant

XMULTIPLE		CONNECTING THE INFORMATION AGE	
XMULTIPLE ASIA 4F, No. 347, Yang Guang St., Neihu, Taipei, Taiwan 11475		XMULTIPLE USA 1420 Los Angeles Ave., Suite G, Simi Valley, CA 93065	
THIS DRAWING IS A CONTROLLED DOCUMENT.		G/NO:	
TITLE: SINGLE PORT, RJ45, SHIELDED, WITH LED WITH TRANSFORMER, SIDE ENTRY PCB JACK, FOR PoE		DWG NO: XPJG-01J-1-P28-110	
PART NO: XPJG-01J-1-P28-110		DRAWN: TOM	
		CHKD: TARA	
		DATE: Nov.06,08	
UNIT mm[Inch]	SHEET 1 of 3	REV 01	

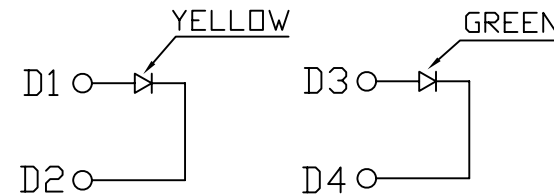
2. PCB LAYOUT :



SUGGESTED PCB LAYOUT
(TOP VIEW)

DIMENSIONAL TOLERANCE: .XX ±0.08[0.003]

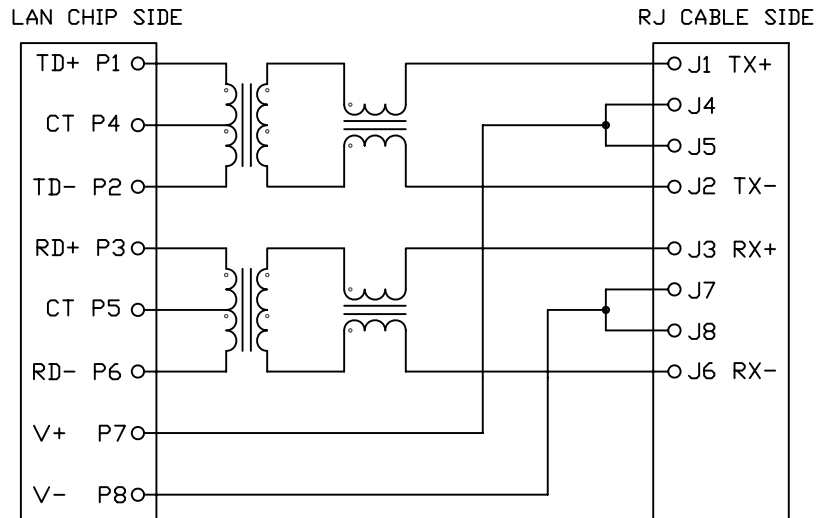
3. LED CONFIGURATION :



RoHS Compliant

		CONNECTING THE INFORMATION AGE		
				XMULTIPLE ASIA 4F, No. 347, Yang Guang St., Neihu, Taipei, Taiwan 11475
THIS DRAWING IS A CONTROLLED DOCUMENT.				DWG NO: XPJG-01J-1-P28-110
TITLE: SINGLE PORT, RJ45, SHIELDED, WITH LED WITH TRANSFORMER, SIDE ENTRY PCB JACK, FOR PoE				DRAWN: TOM
PART NO: XPJG-01J-1-P28-110				CHKD: TARA
		UNIT mm[inch]	SHEET 2 of 3	REV 01
				DATE: Nov.06,08

4. SCHEMATIC:



5. ELECTRICAL CHARACTERISTICS :

TEST NOTES:(25±5°C)

- 1.TR:(100KHz,0.1V);
PINS:(P1-P2):(J1-J2)=1:2±3%
PINS:(P3-P6):(J3-J6)=1:1±3%
- 2.LX:(100KHz,100mV,8mA, DC Bias)
PINS: (P1,P2),(P3,P6)=350uH MINIMUM
- 3.DCR:
PINS:(J1-J2),(J3-J6)= 1.2 OHMS MAXIMUM
- 4.HIPOT:
PINS(P1,P4,P2)TO(J1,J2)=1500VAC FOR 60 SECONDS
PINS(P3,P5,P6)TO(J3,J6)=1500VAC FOR 60 SECONDS
- 5.INSERTION LOSS:
-1.0dB MAXIMUM AT 0.3MHz TO 100MHz;
- 6.RETURN LOSS:
-20dB MINIMUM AT 1MHz TO 30MHz;
-15dB MINIMUM AT 30MHz TO 60MHz
-10dB MINIMUM AT 60MHz TO 80MHz
- 7.CROSS TALK:
-30dB MINIMUM AT 1MHz TO 100MHz
- 8.COMMON TO COMMON MODE REJECTION:
-30dB MINIMUM AT 1MHz TO 100MHz

XPJG-01J-1-P28-110

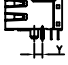
PRODUCT SERIES
XPJG : LATCH DOWN WITH LED
FOR PoE TYPE

NUMBER OF PORTS
MECHANICAL TYPE
01J : 1 PORT FOR XRJF OR XRJG
W/HORIZONTAL LED PIN
W/O MODULE

LED COLOR OPTION

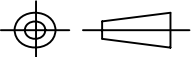
SPECIAL CODE
0 : STANDARD

SHIELDED TYPE
1 : Y=3.05mm, EMI FINGER
ON ALL SIDE

LED POLARITY
1 : +, -, +-


CIRCUIT TYPE

RoHS Compliant

XMULTIPLE		CONNECTING THE INFORMATION AGE	
XMULTIPLE ASIA 4F, No. 347, Yang Guang St., Neihu, Taipei, Taiwan 11475		XMULTIPLE USA 1420 Los Angeles Ave., Suite G, Simi Valley, CA 93065	
THIS DRAWING IS A CONTROLLED DOCUMENT.		G/NO:	
TITLE: SINGLE PORT, RJ45, SHIELDED, WITH LED WITH TRANSFORMER, SIDE ENTRY PCB JACK, FOR PoE		DWG NO: XPJG-01J-1-P28-110	
PART NO: XPJG-01J-1-P28-110		DRAWN: TOM	
		CHKD: TARA	
		DATE: Nov.06,08	
UNIT mm[Inch]	SHEET 3 of 3	REV 01	