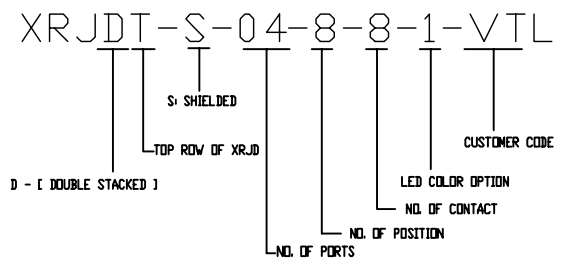
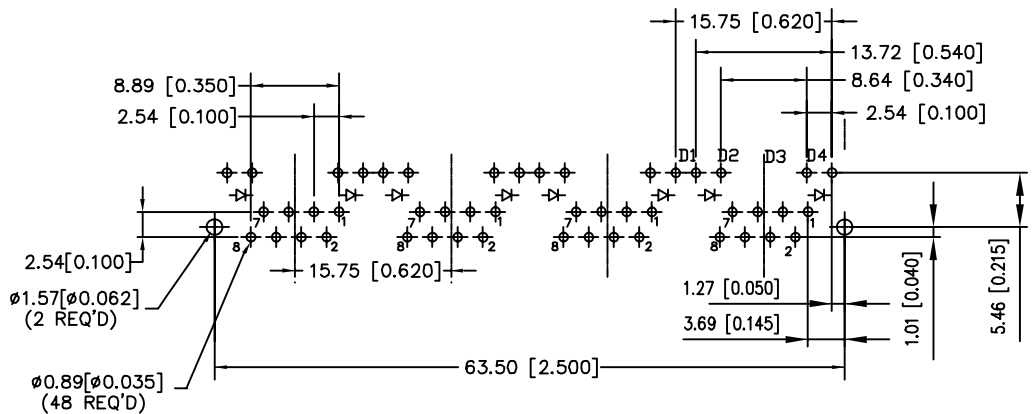
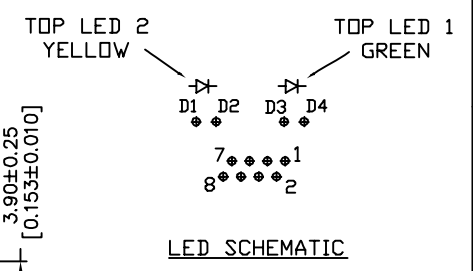
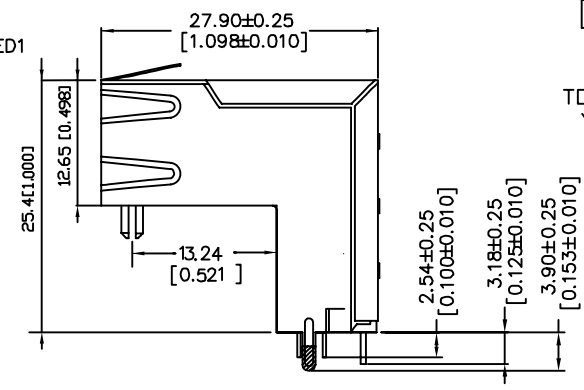
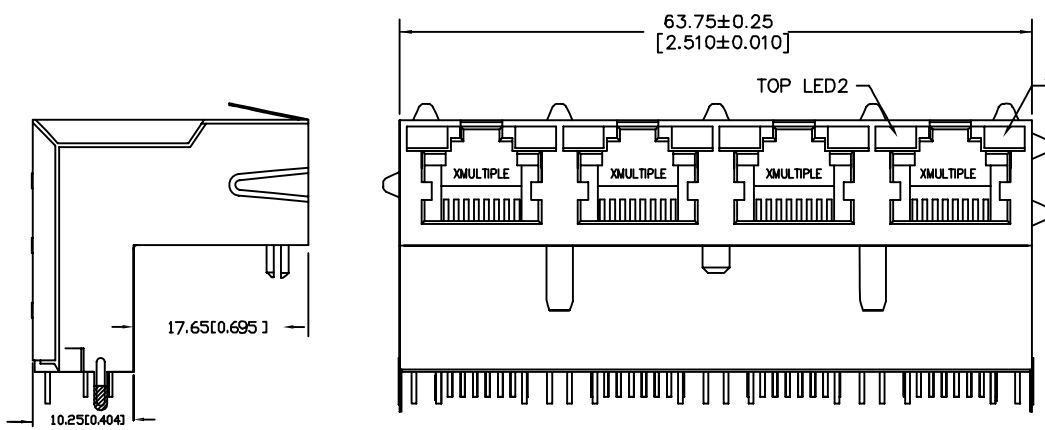


REV.	ECN. NO.	NAME	DATE
A	NEW	Bob Zou	2011/1/10



SUGGESTED PCB LAYOUT
TOP VIEW
DIMENSIONAL TOLERANCE: .XX ±0.08[0.003]

NOTES:

- MATERIALS:
HOUSING: HIGH TEMP. THERMOPLASTIC, PBT, BLACK, UL 94V-0
CONTACTS: T=0.35 mm PHOSPHOR BORNEZE, 50u" NICKEL UNDERPLATE ON ALL AREA, 100u" TIN ON TERMINATION END, 15u" GOLD ON CONTACT AREA.
SHIELD: T=0.25 mm COPPER ZINC ALLOY PLATED WITH 30u" NICKEL
- OPERATING TEMPERATURE: -40°C ~ +85°C
- JACK CAVITY CONFORMS TO FCC RULES AND REGULATIONS PART 68, SUBPART F
- UNSPECIFIED TOLERANCE: .XX ±0.25[0.010]
.X ±0.30[0.012]

TOLERANCE UNSPECIFIED					
.	± 0.50				
.0	± 0.38	TITLE: RJ45, W/LED, 8P,8C, Shielded, Thru Hole			
.00	± 0.25	DRAWING	Bob Zou	SIZE: A4	UNIT: mm
.000	± 0.10	CHECKED	Bob Zou	SCALE: FREE	PART NO.: XRJDT-S-04-8-8-1-VTL
ANGLE	± 3°	APPROVED	Ipis Aseng	DWG. PATH	C/XRJDT-S-04-8-8-1-VTL
CUSTOMER COPY					PROJECTION
					REV.: A
					SHEET: 1 of 1