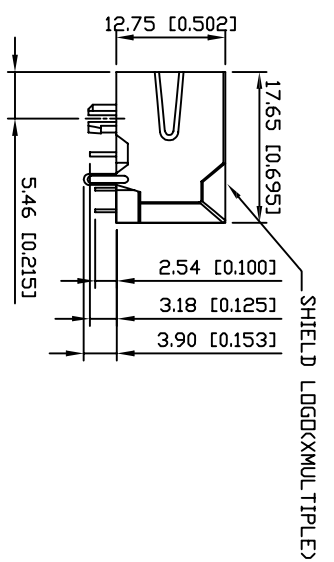
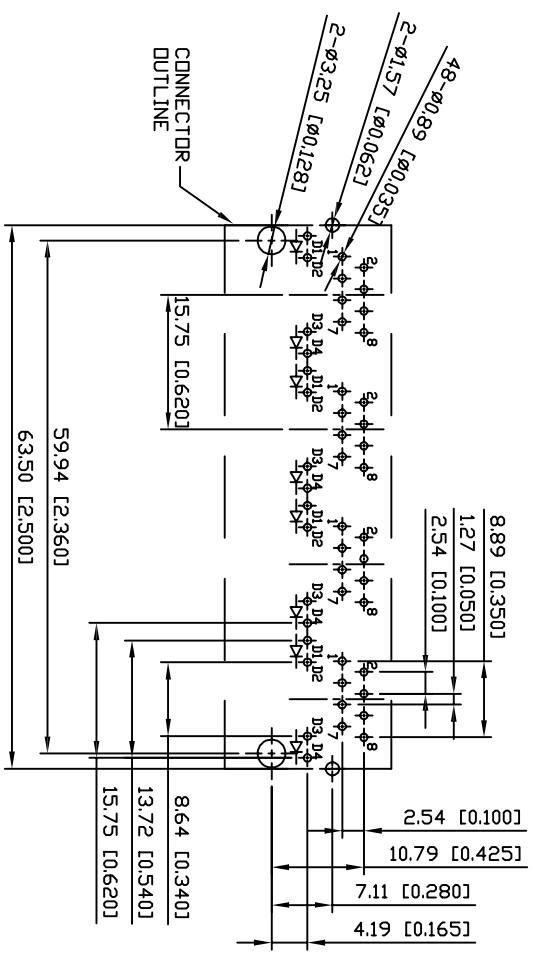


FRONT VIEW

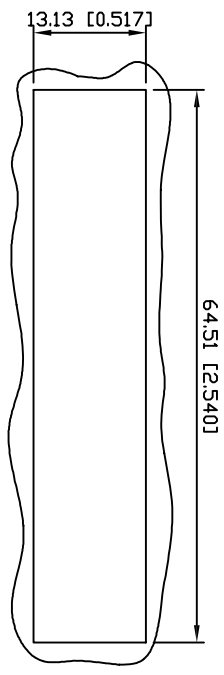


SIDE VIEW

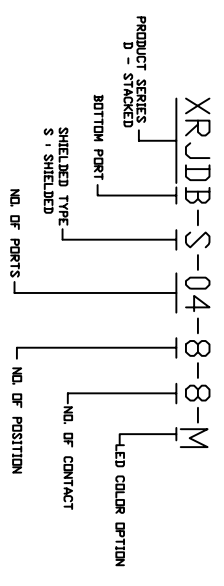


SUGGESTED PCB LAYOUT
TOP VIEW

DIMENSIONAL TOLERANCE: .XX ±0.08[±0.003]



RECOMMENDED
PANEL CUTOUT DIMENSION



XRJDB-S-04-8-8-M

NOTES:

1. MATERIALS:
HOUSING: HIGH TEMP. THERMOPLASTIC, PBT, UL 94V-0, BLACK
CONTACTS: T=0.35 mm PHOSPHOR BRONZE, 50µ NICKEL UNDERPLATE
ON ALL AREA, 100µ TIN ON TERMINATION END,
15µ GOLD ON CONTACT AREA.
2. OPERATING TEMPERATURE: -40°C~85°C
3. JACK CAVITY CONFORMS TO FCC RULES AND REGULATIONS PART 68, SUBPART F
4. UNSPECIFIED TOLERANCE: .XX ±0.25[±0.010]
X ±0.30[±0.012]

XMULTIPLE

THE INFORMATION
AGE

1420 Los Angeles Ave, Suite 5, Simi Valley, CA 93065

THIS DRAWING IS A CONTROLLED DOCUMENT.

Stacked RJ45 Connectors, V/LED, 8P/8C,
Shielded, thru Hole

PART NO. XRJDB-S-04-8-8-M

UNIT	SHEET	REV	DATE
mmlinch 1	1 of 1	01	3/20/2011

DWG NO.	CHKD
XRJDB-S-04-8-8-M	IPIS
DRAWN	BOB