

RoHS Compliance

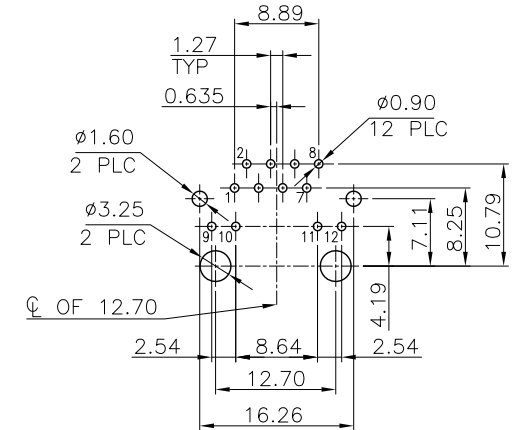
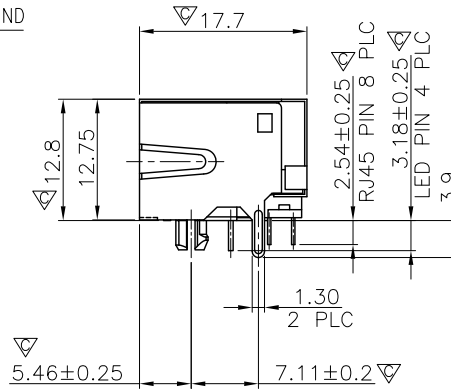
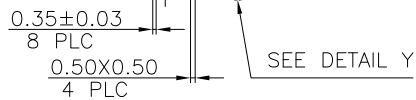
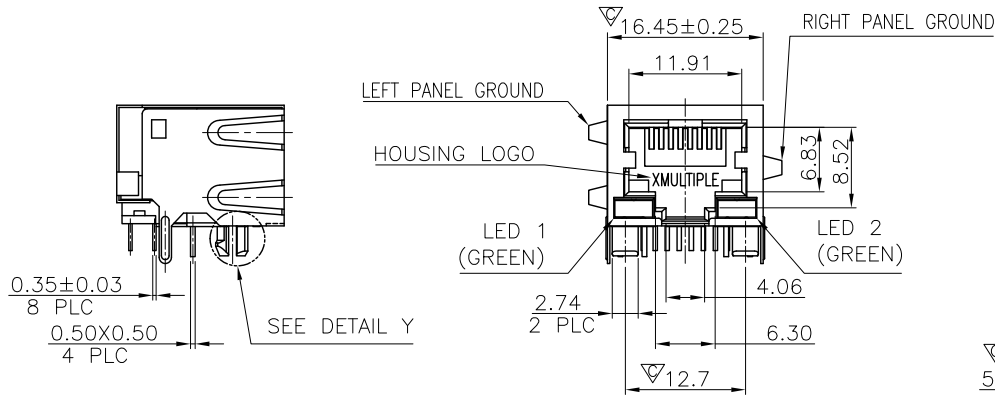
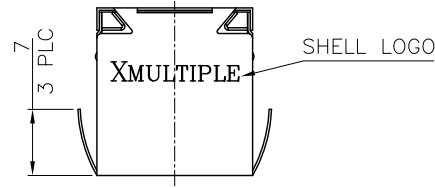
NOTE:

CAVITY CONFIRMS TO FCC RULES AND REGULATIONS PART 68, SUBPART F.

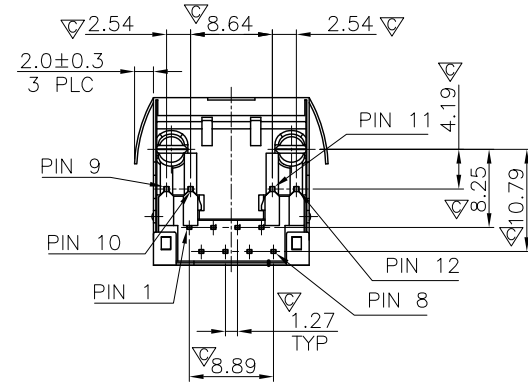
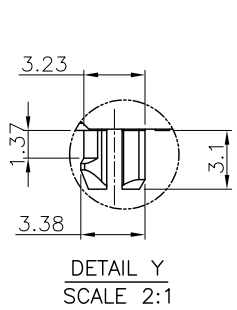
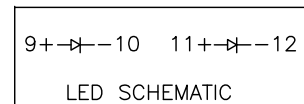
1. MATERIAL:
HOUSING: PA46, WITH GLASS FIBER,,
UL 94V-0, STANDARD COLOR-BLACK.
INSERT HOUSING: PA46, WITH GLASS FIBER,
UL 94V-0, STANDARD COLOR-BLACK.
CONTACTS: PHOSPHOR BRONZE.
SHELL: BRASS.
LED SOLDER TAIL: STEEL.

2. FINISH:
CONTACTS: 6u" GOLD PLATED ON CONTACT AREA,
2.54μm [100μ"] TIN PLATED ON SOLDER TAIL,
WITH ENTIRE CONTACT UNDERPLATED
1.27μm [50μ"] MIN. NICKEL
SHELL: 0.508μm [20μ"] MIN. NICKEL PLATED.
LED SOLDER TAIL: 2.159μm [85μ"] MIN. TIN PLATED.

3. "▽" SHOWS QIP INSPECTION POINT.



RECOMMENDED PCB LAYOUT
RECOMMENDED PCB THICKNESS: 1.6mm
TOLERANCE: ±0.05 (TOP VIEW)



LTR	DESCRIPTION	DATE	APVD
REVISIONS			

THIS DRAWING IS A CONTROLLED DOCUMENT. DO NOT SCALE DRAWING.	
DIMENSIONS: MM	TOLERANCES UNLESS OTHERWISE SPECIFIED:
THIRD ANGLE PROJECTION	0 PLC ± - 1 PLC ± 0.25 2 PLC ± 0.20 3 PLC ± 0.15 ANGLES ± -
MATERIAL SEE NOTES	FINISH SEE NOTES
DWN <i>A.HUANG</i>	DATE JUL-12-2010
CHK <i>M.CHANG</i>	JUL-12-2010
APVD <i>W.J.YANG</i>	JUL-13-2010

<h1>XMULTIPLE</h1>	
TITLE STACKED RJ45 CONNECTORS, W/LED, SHIELDED, THRU HOLE	
SIZE A4	DRAWING NO XRJDB-S-01-8-8-5-P01-SE1-J
WEIGHT - GRAMS Ref.	REV 1 SHEET 1