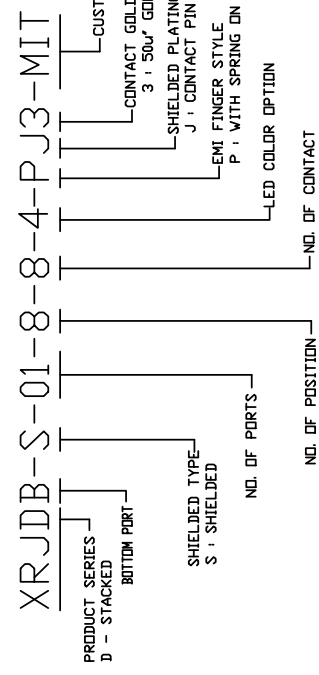
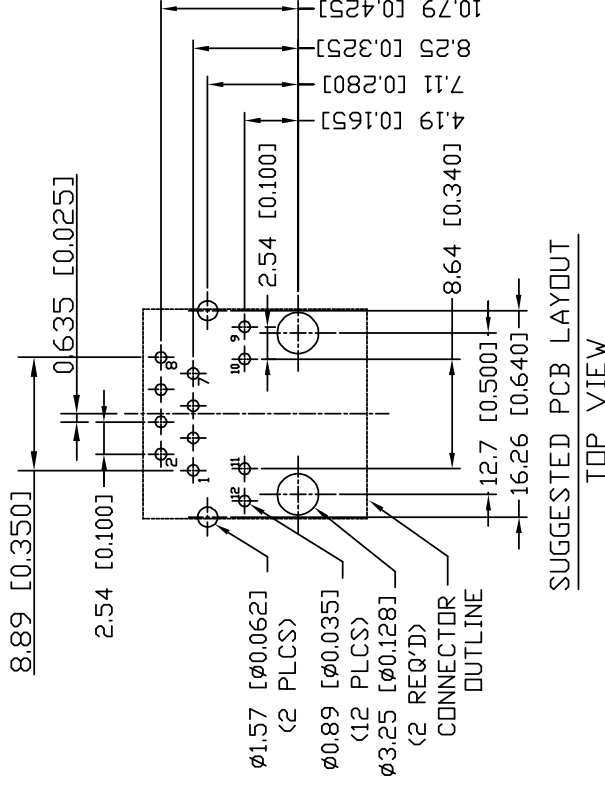


RECOMMENDED
PANEL CUTOUT DIMENSION

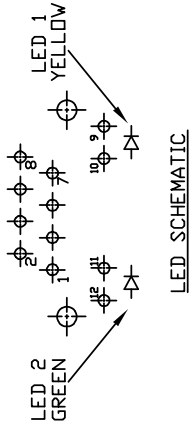


NOTES:

1. MATERIALS:
HOUSING: HIGH TEMP. THERMOPLASTIC PBT, BLACK, UL 94V-0
CONTACTS: 0.014 INCHES (0.35 MILLIMETERS) THICK PHOSPHOR BRONZE PLATED WITH TIN IN SOLDER AREA.
50µ" GOLD IN LOCALIZED PLATE AREA.
CONTACTS PLATED WITH NICKEL.
SHIELDED: 0.0098 INCHES(0.25 MILLIMETERS) THICK COPPER ZINC ALLOY PLATED WITH NICKEL.
2. OPERATING TEMPERATURE : -40~85°C
3. JACK CAVITY CONFORMS TO FCC RULES AND REGULATIONS PART 68, SUBPART F
4. UNSPECIFIED TOLERANCE: XX ±0.25(0.010)
X ±0.30(0.012)



DIMENSIONAL TOLERANCE: .XX ±0.08(0.003)



RoHS Compliant

CONNECTING THE INFORMATION AGE	
X MULTIPLE ASIA 4F, No. 347 Yong Guoan St. Neihu, Taipei, Taiwan 11475	X MULTIPLE USA 1402 Los Angeles Ave., Suite G, Simi Valley, CA 93065
THIS DRAWING IS A CONTROLLED DOCUMENT.	
TITLE: Stacked RJ45 Connectors Bottom port, w/LED, 8P,8C, Shielded, Thru Hole	DWG NO: XRJDB-S-01-8-8-4-PJ3-MIT
PART NO: XRJDB-S-01-8-8-4-PJ3-MIT	DRAWN: STEVEN
UNIT: mm[inch]	CHKD:
SHEET: 1 of 1	REV: 01
DATE: 10/06/17	