

A

B

C

D

E

F

A

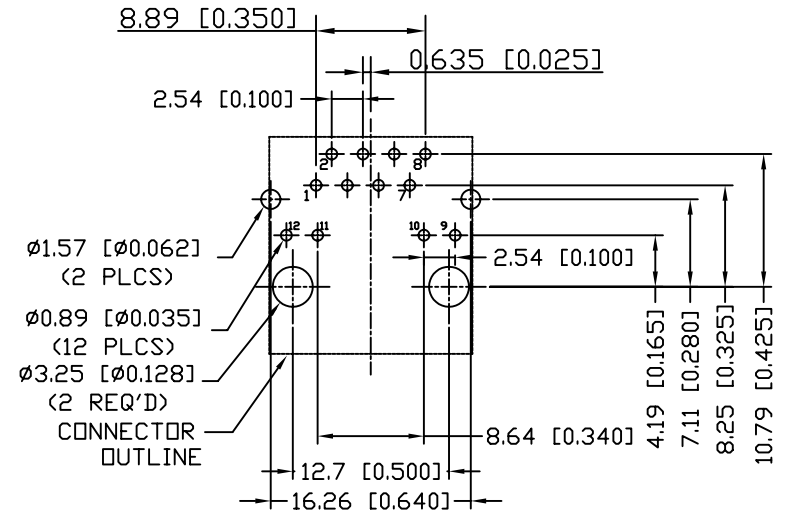
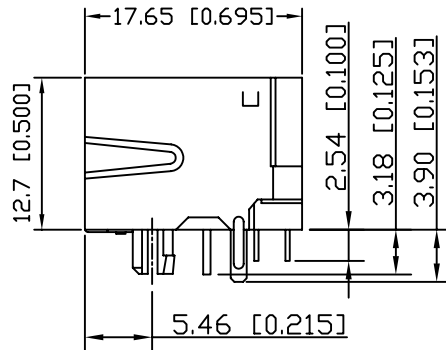
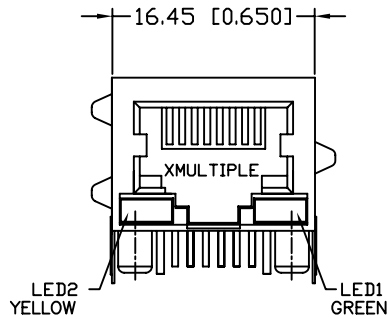
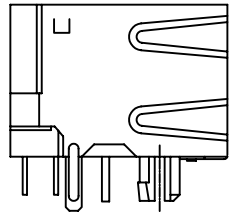
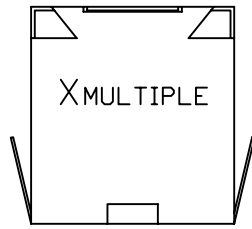
B

C

D

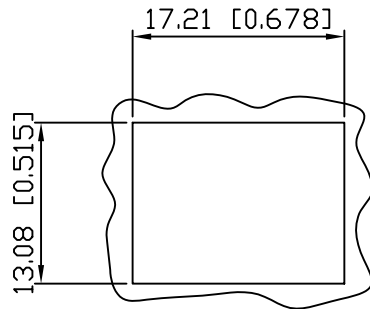
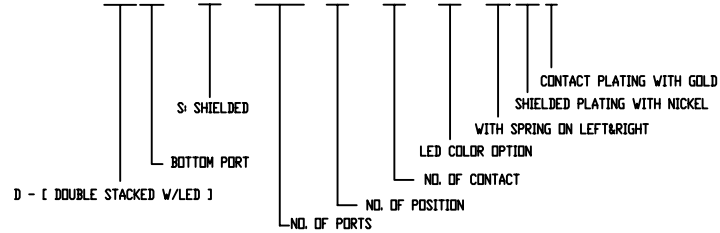
E

F

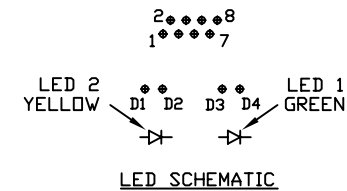


SUGGESTED PCB LAYOUT
TOP VIEW
DIMENSIONAL TOLERANCE: .XX ±0.08[0.003]

XRJDB-S-01-8-8-1-PN3



RECOMMENDED
PANEL CUTOUT DIMENSION



NOTES:

- MATERIALS:
HOUSING: HIGH TEMP. THERMOPLASTIC PBT, BLACK, UL 94V-0
CONTACTS: 0.014 INCHES (0.35 MILLIMETERS) THICK PHOSPHOR BRONZE PLATED WITH 100 MICROINCHES (2.54 MICROMETERS) MINIMUM THICK TIN IN SOLDER AREA.
50 MICROINCHES (1.26 MICROMETERS) MINIMUM GOLD IN LOCALIZED PLATE AREA.
ENTIRE CONTACTS PLATED WITH 50 MICROINCHES (1.27 MICROMETERS) MINIMUM THICK NICKEL.
SHIELDED: 0.0098 INCHES (0.25 MILLIMETERS) THICK COPPER ZINC ALLOY PLATED WITH NICKEL.
- OPERATING TEMPERATURE : -40~85°C
- JACK CAVITY CONFORMS TO FCC RULES AND REGULATIONS PART 68, SUBPART F
- UNSPECIFIED TOLERANCE: .XX ±0.25[0.010]
.X ±0.30[0.012]

RoHS Compliant

X MULTIPLE		CONNECTING THE INFORMATION AGE	
X MULTIPLE ASIA 4F, No. 347, Yang Guang St., Neihu, Taipei, Taiwan 11475		X MULTIPLE USA 1402 Los Angeles Ave., Suite G, Simi Valley, CA 93065	
THIS DRAWING IS A CONTROLLED DOCUMENT.		G/NO:	
TITLE: Stacked RJ45 Connectors Bottom port, w/LED, 8P,8C, Shielded, Thru Hole		DWG NO: XRJDB-S-01-8-8-1-PN3	
PART NO: XRJDB-S-01-8-8-1-PN3		DRAWN: IVAN	
		CHKD: TARA	
		DATE: Feb.19,09	
UNIT mm[inch]		SHEET 1 of 1	REV 01