

A

B

C

D

E

F

A

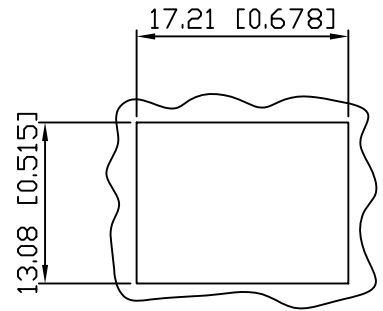
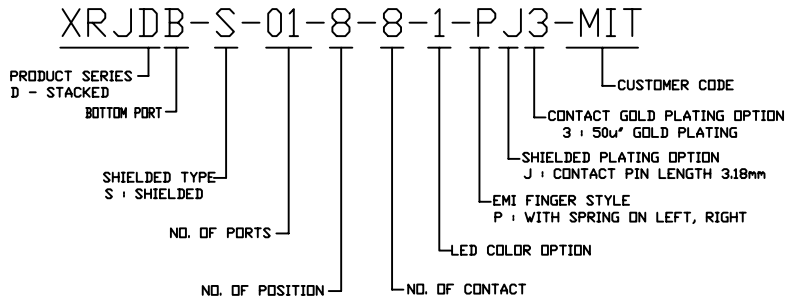
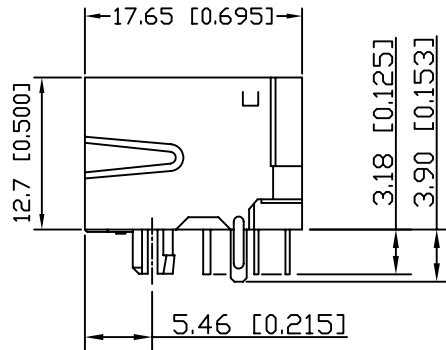
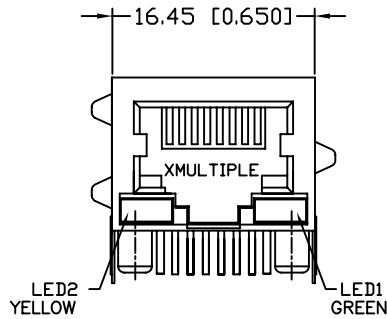
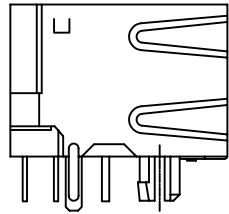
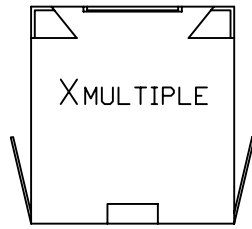
B

C

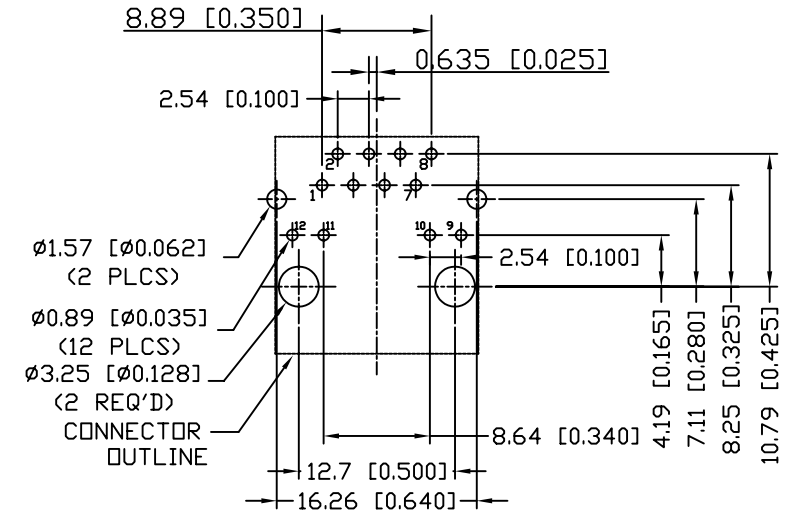
D

E

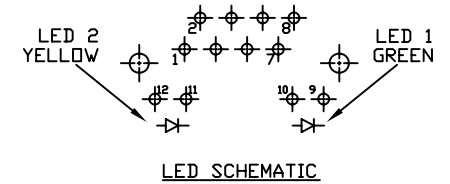
F



RECOMMENDED PANEL CUTOUT DIMENSION



SUGGESTED PCB LAYOUT  
TOP VIEW  
DIMENSIONAL TOLERANCE: .XX ±0.08[0.003]



LED SCHEMATIC

NOTES:

- MATERIALS:  
HOUSING: HIGH TEMP. THERMOPLASTIC PBT, BLACK, UL 94V-0  
CONTACTS: 0.014 INCHES (0.35 MILLIMETERS) THICK PHOSPHOR BRONZE PLATED WITH TIN IN SOLDER AREA.  
50u' GOLD IN LOCALIZED PLATE AREA.  
CONTACTS PLATED WITH NICKEL.  
SHIELDED: 0.0098 INCHES(0.25 MILLIMETERS) THICK COPPER ZINC ALLOY PLATED WITH NICKEL.
- OPERATING TEMPERATURE : -40~85°C
- JACK CAVITY CONFORMS TO FCC RULES AND REGULATIONS PART 68, SUBPART F
- UNSPECIFIED TOLERANCE: .XX ±0.25[0.010]  
.X ±0.30[0.012]

RoHS Compliant

<b>X MULTIPLE</b>		CONNECTING THE INFORMATION AGE	
X MULTIPLE ASIA 4F, No. 347, Yang Guang St., Neihu, Taipei, Taiwan 11475		X MULTIPLE USA 1402 Los Angeles Ave., Suite G, Simi Valley, CA 93065	
THIS DRAWING IS A CONTROLLED DOCUMENT.		G/NO:	
TITLE: Stacked RJ45 Connectors Bottom port, w/LED, 8P,8C, Shielded, Thru Hole		DWG NO: XRJDB-S-01-8-8-1-PJ3-MIT	
PART NO: XRJDB-S-01-8-8-1-PJ3-MIT		DRAWN: LEON	
		CHKD: TARA	
		DATE: Jun.12,09	
UNIT		SHEET	REV
mm[inch]		1 of 1	01