

A

B

C

D

E

F

A

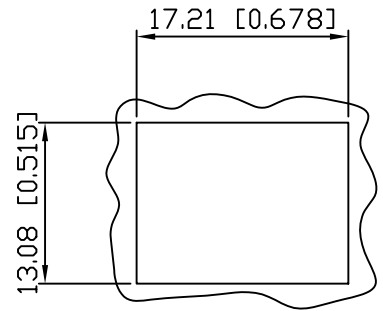
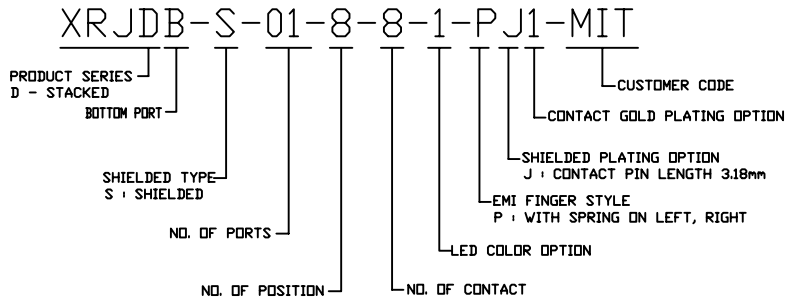
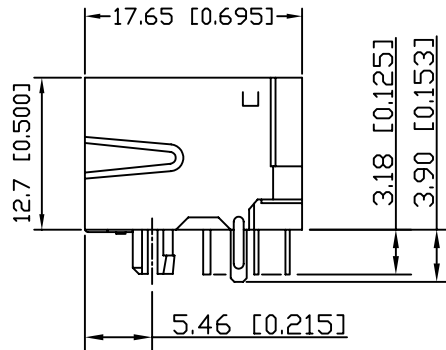
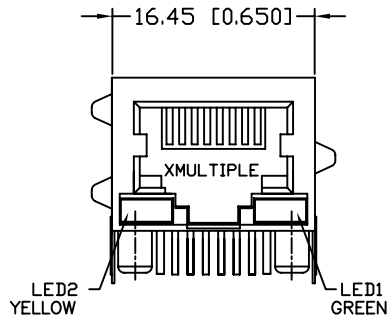
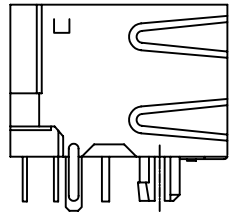
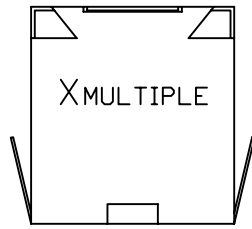
B

C

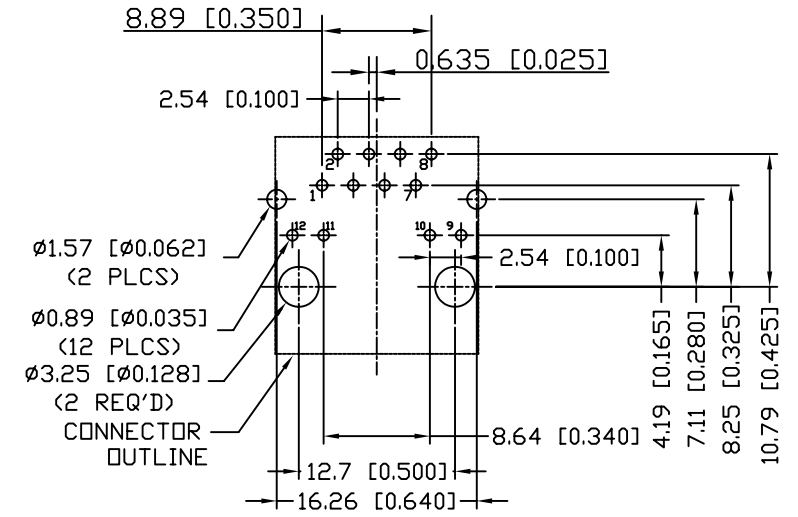
D

E

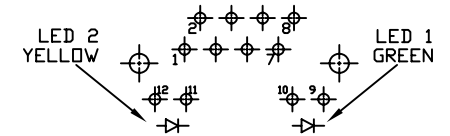
F



RECOMMENDED PANEL CUTOUT DIMENSION



SUGGESTED PCB LAYOUT
TOP VIEW
DIMENSIONAL TOLERANCE: .XX ±0.08[0.003]



LED SCHEMATIC

NOTES:

- MATERIALS:
HOUSING: HIGH TEMP. THERMOPLASTIC PBT, BLACK, UL 94V-0
CONTACTS: 0.014 INCHES (0.35 MILLIMETERS) THICK PHOSPHOR BRONZE PLATED WITH TIN IN SOLDER AREA.
HARD GOLD IN LOCALIZED PLATE AREA.
CONTACTS PLATED WITH NICKEL.
SHIELDED: 0.0098 INCHES(0.25 MILLIMETERS) THICK COPPER ZINC ALLOY PLATED WITH NICKEL.
- OPERATING TEMPERATURE : -40~85°C
- JACK CAVITY CONFORMS TO FCC RULES AND REGULATIONS PART 68, SUBPART F
- UNSPECIFIED TOLERANCE: .XX ±0.25[0.010]
.X ±0.30[0.012]

RoHS Compliant

XMULTIPLE		CONNECTING THE INFORMATION AGE	
XMULTIPLE ASIA 4F, No. 347, Yang Guang St., Neihu, Taipei, Taiwan 11475		XMULTIPLE USA 1402 Los Angeles Ave., Suite G, Simi Valley, CA 93065	
THIS DRAWING IS A CONTROLLED DOCUMENT.		G/NO:	
TITLE: Stacked RJ45 Connectors Bottom port, w/LED, 8P,8C, Shielded, Thru Hole		DWG NO: XRJDB-S-01-8-8-1-PJ1-MIT	
PART NO: XRJDB-S-01-8-8-1-PJ1-MIT		DRAWN: IVAN	
		CHKD: TARA	
		UNIT mm[inch]	SHEET 1 of 1
		REV 01	DATE: Jun.10,09