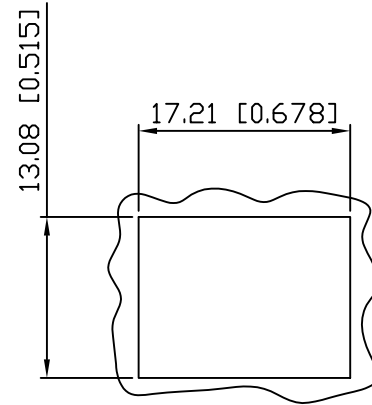
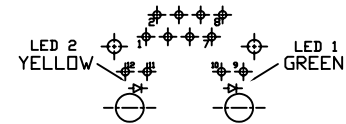


SUGGESTED PCB LAYOUT
TOP VIEW
DIMENSIONAL TOLERANCE: .XX ±0.08[0.003]



RECOMMENDED
PANEL CUTOUT DIMENSION



LED SCHEMATIC

XRJDB-S-01-8-8-1-PE1

PRODUCT SERIES: D - STACKED
 BOTTOM PORT
 SHIELDED TYPE: S : SHIELDED
 NO. OF PORTS
 NO. OF POSITION
 CONTACT GOLD PLATING OPTION
 SHIELDED PLATING OPTION
 E : HOUSING MATERIAL-NYLON
 EMI FINGER STYLE
 P : WITH SPRING ON LEFT, RIGHT
 LED COLOR OPTION
 NO. OF CONTACT

NOTES:

- MATERIALS:
 HOUSING: HIGH TEMP. THERMOPLASTIC, NYLON, UL 94V-0, BLACK
 CONTACTS: T=0.35 mm PHOSPHOR BORNZE, NICKEL UNDERPLATE ON ALL AREA, TIN ON TERMINATION END, HARD GOLD ON CONTACT AREA.
 SHIELD: T=0.25 mm COPPER ZINC ALLOY PLATED WITH NICKEL.
- OPERATING TEMPERATURE: -40°C ~ +85°C
- JACK CAVITY CONFORMS TO FCC RULES AND REGULATIONS PART 68, SUBPART F
- UNSPECIFIED TOLERANCE: .XX ±0.25[0.010]
 .X ±0.30[0.012]

RoHS Compliant

X MULTIPLE		CONNECTING THE INFORMATION AGE	
XMULTIPLE ASIA 4F, No. 347, Yang Guang St., Neihu, Taipei, Taiwan 11475		XMULTIPLE USA 1402 Los Angeles Ave., Suite G, Simi Valley, CA 93065	
THIS DRAWING IS A CONTROLLED DOCUMENT.		G/NO:	
TITLE: Stacked RJ45 Connectors Bottom port, w/LED, 8P,8C, Shielded, Thru Hole		DWG NO: XRJDB-S-01-8-8-1-PE1	
PART NO: XRJDB-S-01-8-8-1-PE1		DRAWN: IVAN	
		CHKD: TARA	
		DATE: Aug.21,09	
UNIT mm[inch]	SHEET 1 of 1	REV 01	