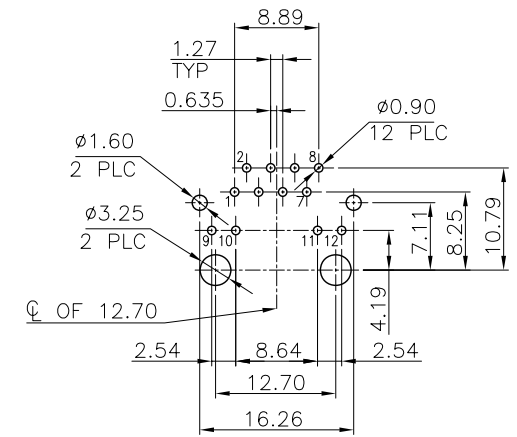
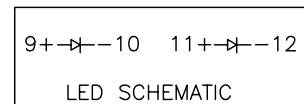
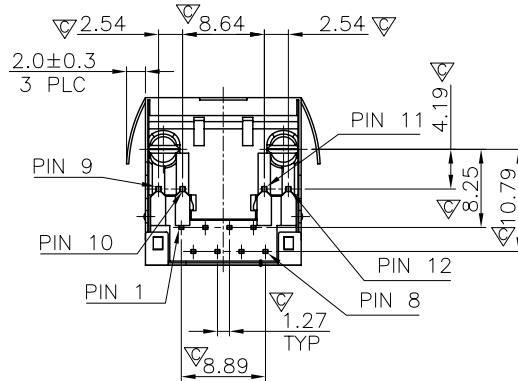
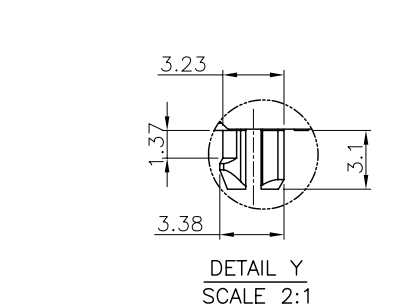
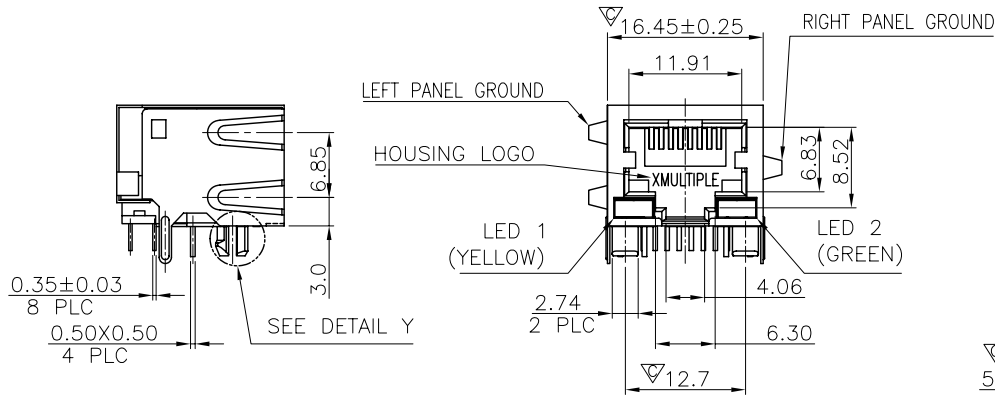
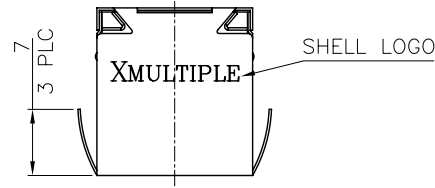


# RoHS Compliance



RECOMMENDED PCB THICKNESS: 1.6mm  
TOLERANCE: ±0.05 (TOP VIEW)

- NOTE:
- CAVITY CONFIRMS TO FCC RULES AND REGULATIONS PART 68, SUBPART F.
- MATERIAL:  
HOUSING: PA46, WITH GLASS FIBER,,  
UL 94V-0, STANDARD COLOR-BLACK.  
INSERT HOUSING: PA46, WITH GLASS FIBER,  
UL 94V-0, STANDARD COLOR-BLACK.  
CONTACTS: PHOSPHOR BRONZE.  
SHELL: BRASS.  
LED SOLDER TAIL: STEEL.
  - FINISH:  
CONTACTS: 15u" GOLD PLATED ON CONTACT AREA,  
2.54μm [100μ" ] TIN PLATED ON SOLDER TAIL,  
WITH ENTIRE CONTACT UNDERPLATED  
1.27μm [50μ" ] MIN. NICKEL  
SHELL: 0.508μm [20μ" ] MIN. NICKEL PLATED.  
LED SOLDER TAIL: 2.159μm [85μ" ] MIN. TIN PLATED.
  - "▽" SHOWS QIP INSPECTION POINT.

THIS DRAWING IS A CONTROLLED DOCUMENT. DO NOT SCALE DRAWING.	
DIMENSIONS: MM	TOLERANCES UNLESS OTHERWISE SPECIFIED:
	0 PLC ± - 1 PLC ± 0.25 2 PLC ± 0.20 3 PLC ± 0.15 ANGLES ± -
THIRD ANGLE PROJECTION	
MATERIAL SEE NOTES	FINISH SEE NOTES
DWN <i>A.HUANG</i>	DATE JUL-12-2010
CHK <i>M.CHANG</i>	JUL-12-2010
APVD <i>W.J.YANG</i>	JUL-13-2010

# XMULTIPLE

TITLE	
STACKED RJ45 CONNECTORS, W/LED, SHIELDED, THRU HOLE	
SIZE A4	DRAWING NO XRJDB-S-01-8-8-1-P01-SE1-J
WEIGHT - GRAMS Ref.	REV 1 SHEET 1

LTR	DESCRIPTION	DATE	APVD
REVISIONS			